



CLASSEQ LTD

# Spares manual

---

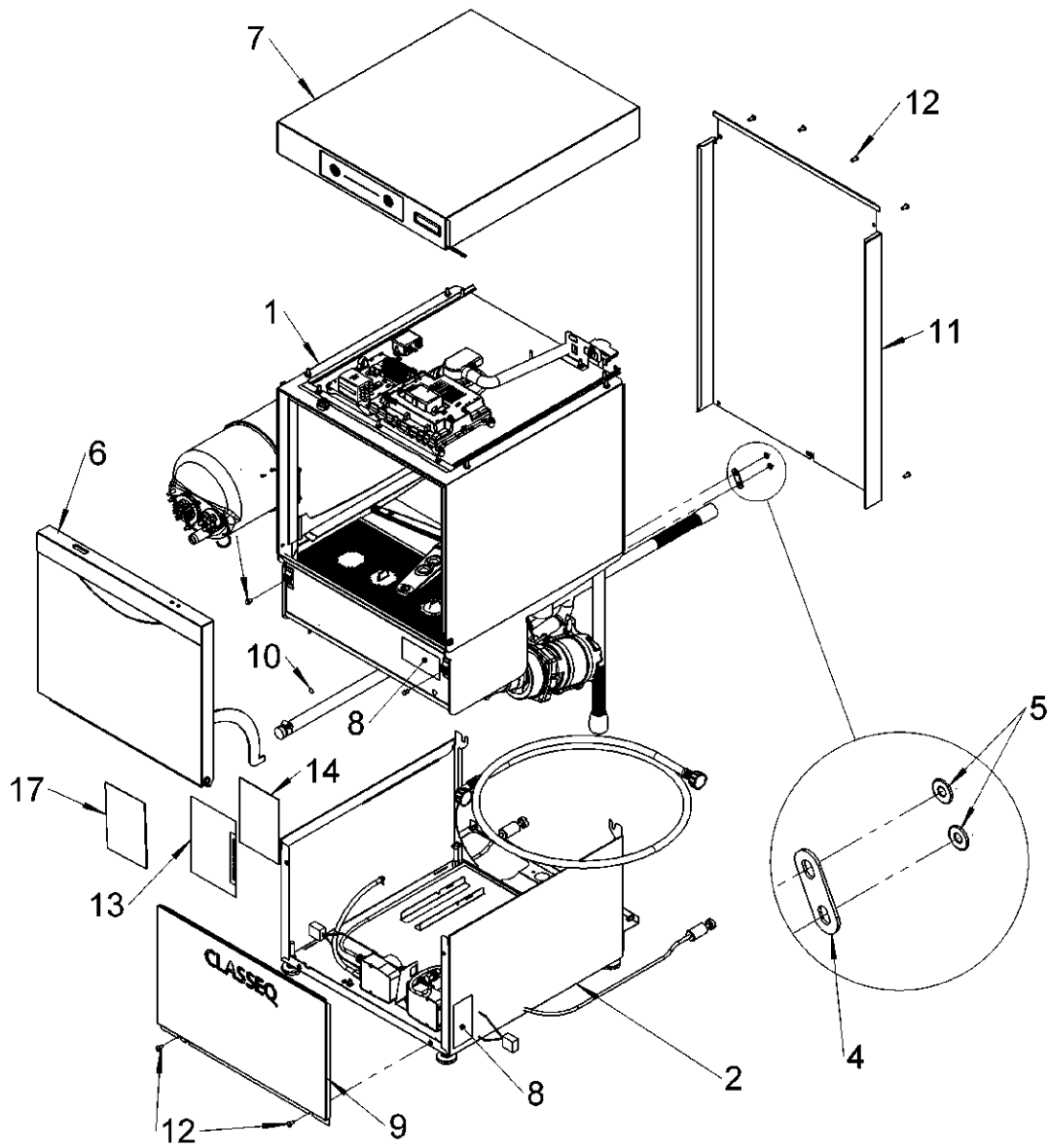
**G400**



## Table of contents for G400

1.	Machine assembly.....	3
2.	Cabinet assembly .....	5
3.	Cabinet external assembly.....	7
4.	Control unit assembly .....	9
5.	Filters – Gravity drain.....	11
6.	Filters – Standard drain pump .....	13
7.	Cabinet internal assembly.....	15
8.	Fill system.....	17
9.	Rinse tank assembly 2.6kW (30011804) .....	19
10.	Rinse tank assembly 6kW (30011284) .....	21
11.	Lateral check valve assembly (30003528).....	23
12.	Rinse and wash system .....	25
13.	Centre boss assembly (30003284) .....	27
14.	Top boss assembly (30003223).....	29
15.	Wash pump assembly (30011812).....	31
16.	Wash arm 400mm Kit (62003531) .....	33
17.	Drain pump assembly .....	35
18.	Gravity drain assembly.....	37
19.	Base assembly .....	39
20.	Chemical pump assembly .....	41
21.	Detergent pump assembly (30011805) .....	43
22.	Rinse aid pump assembly (30011806) .....	45
23.	Door assembly.....	47
24.	Top panel assembly LED.....	49
25.	Accessories.....	51
26.	Mains cables.....	51

# 1. Machine assembly

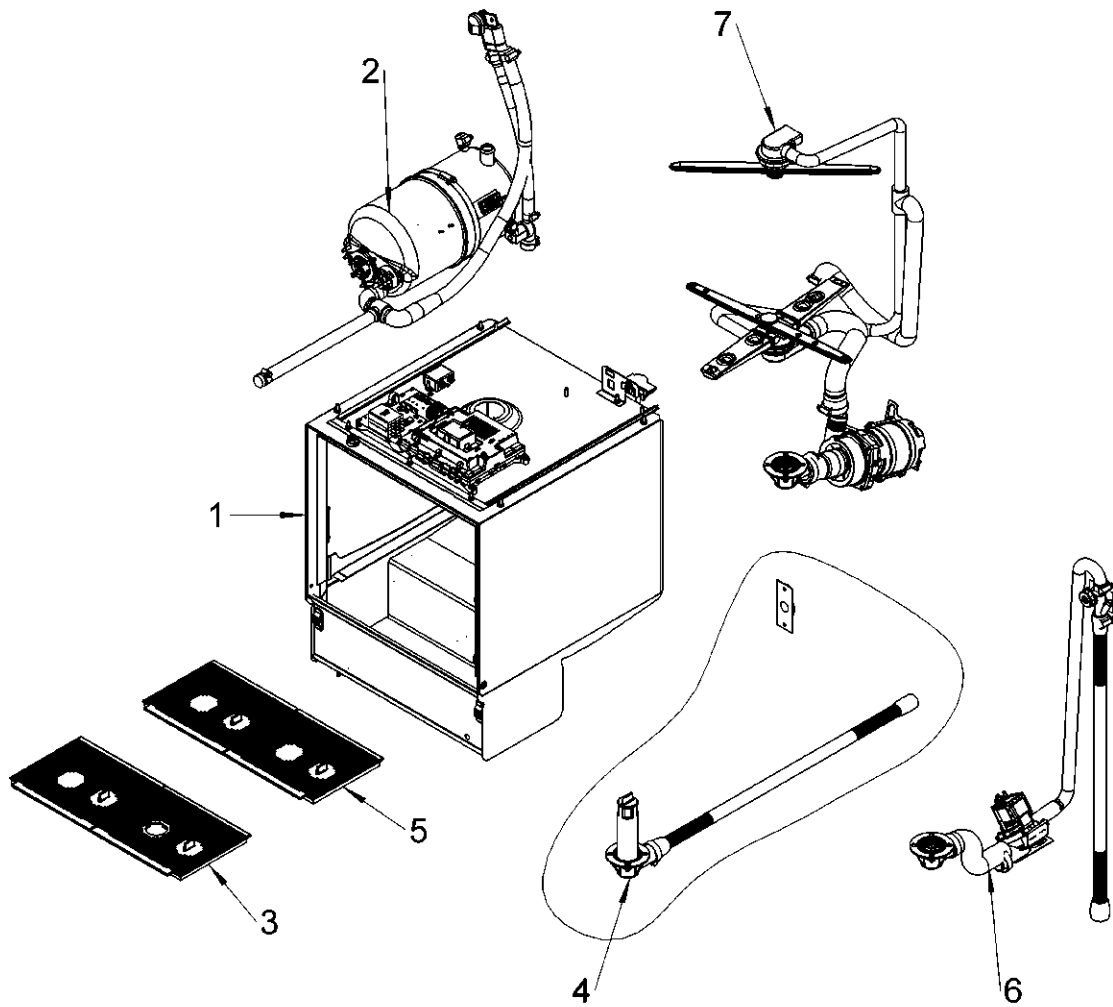


30006489-A

## 1. Machine assembly – BOM

Item	Description	Part number	QTY.	Note
1	400mm Standard Glass cabinet assembly		1	
2	400mm Base assembly		1	
3	M5 x 8 hex head screw (ISO 4017)	30001124	2	
4	Bracket - cabinet to base	30001833	2	
5	M5 Flange nut (DIN 6923)	30001186	4	
6	400mm Door assembly	30003317	1	
7	400mm SS LED Top panel component assembly	30006483	1	
8	Rating plate		2	
9	400mm Bottom front panel	30011673	1	
10	Earth sticker	30008786	1	
11	400mm SS rear panel assembly	30006490	1	
12	M5 x 12 Hex socket button head screw	30006300	8	
13	Document enclose envelope		1	
14	Wiring diagram - UC_13A_LED	30012029	1	Available for download
15	400mm Glasswasher accessories	30003322	1	Not shown
16	Mains cables		1	Not shown
17	Wiring diagram - UC_13A_30A_3P_LED	30012026	1	Available for download

## 2. Cabinet assembly

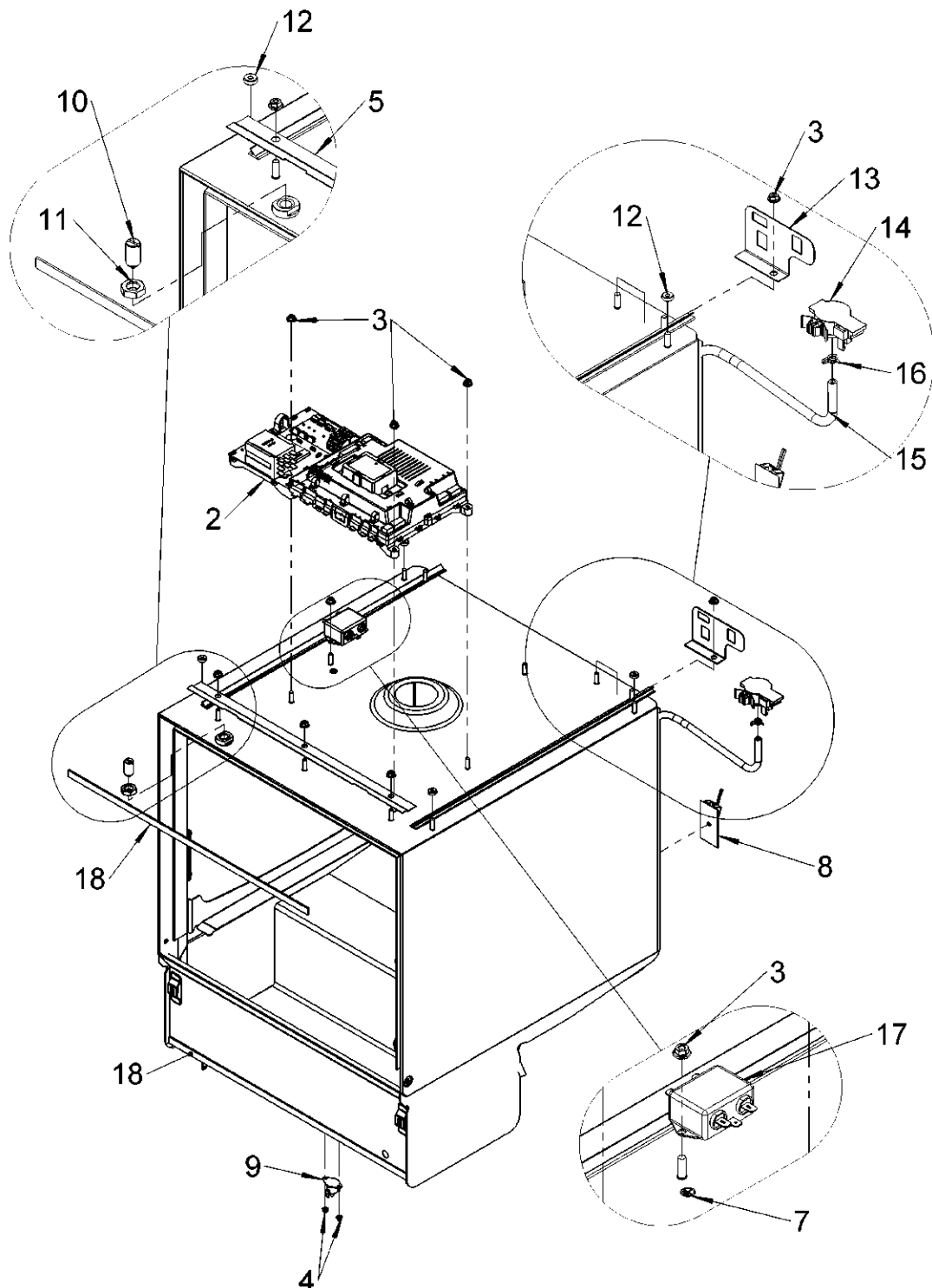


30012282-A

## 2. Cabinet assembly – BOM

Item	Description	Part number	QTY.	Note
1	400mm Standard wash cabinet - External assembly		1	
2	400mm Pressurized fill system		1	
3	400mm Primary filter kit - Gravity	30006487	1	
4	400mm gravity drain assembly	30006486	1	
5	400mm Primary filter kit - Pumped drain - Standard	30003329	1	For pump drain machines only
6	400mm Standard drain pump system	30006485	1	
7	400mm Pressurised Glass wash & rinse system		1	

### 3. Cabinet external assembly



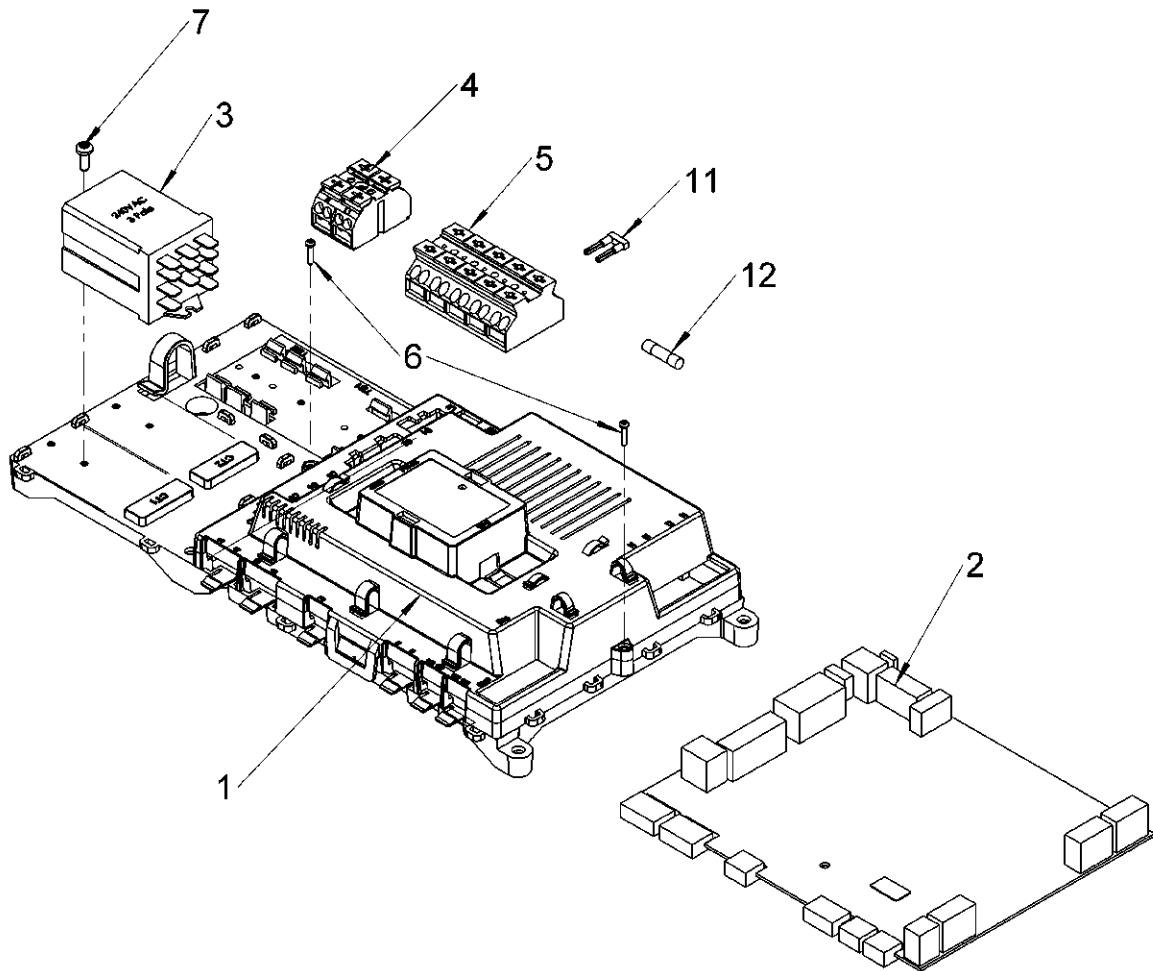
30003324-A



### 3. Cabinet external assembly – BOM

Item	Description	Part number	QTY.	Note
1	400mm - Standard wash cabinet-internal assembly		1	
2	Control unit assembly - 2.6kW		1	
3	M5 Flange nut (DIN 6923)	30001186	8	
4	M3 Flange nut (DIN 6923)	30001171	2	
5	400mm Front water manage plate	30011652	1	
6	Side water management seal - 400/350mm	30012007	2	
7	Earth sticker	30008786	1	
8	Thermal sensor kit	30002179	1	
9	Overheat stat 1 Pole 85°C	30007917	1	
10	Ball catch - M12	30001064	1	
11	M12 Thin nut	30001070	1	
12	M5 Press nut	30011807	4	
13	Air pressure sensor bracket	30011625	1	
14	Pressure sensor	3126044	1	
15	Wash APS tube 400mm	30011885	1	
16	Spring Clip - Ø7.8mm to Ø8.3mm	30001083	2	
17	UC Mains filter	30012203	1	
18	400mm Foam seal	30011635	2	

## 4. Control unit assembly

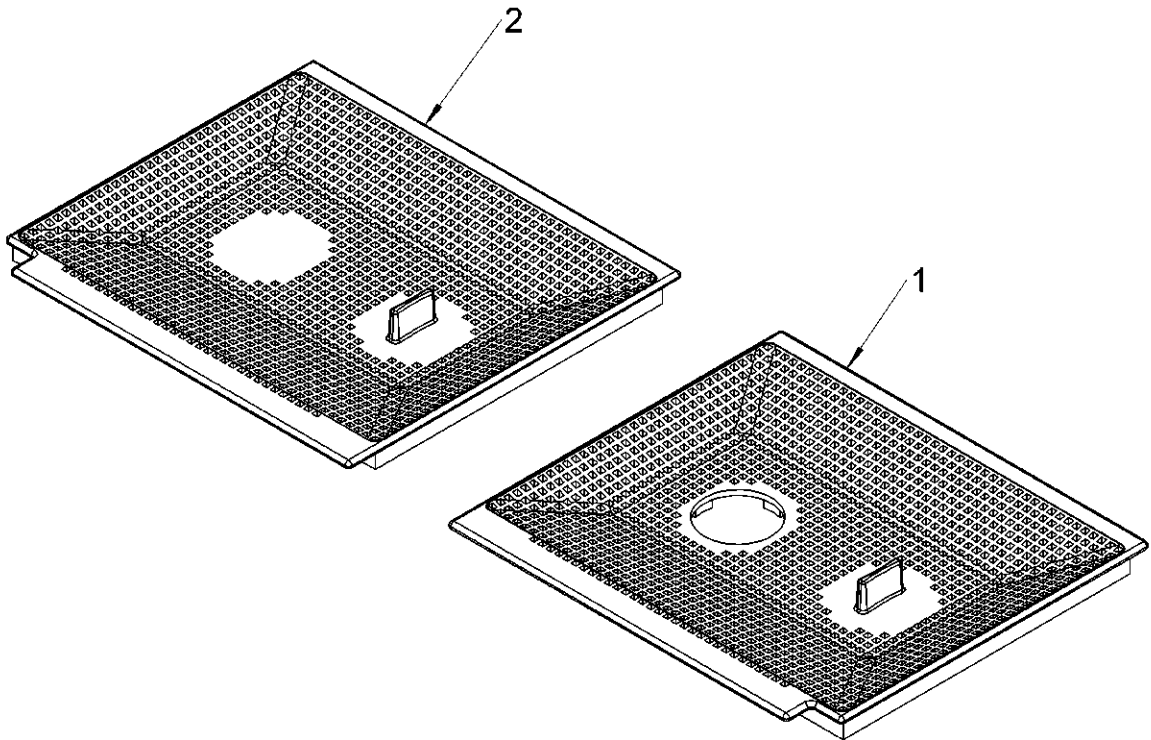


30012350-A

#### 4. Control unit assembly – BOM

Item	Description	Part number	QTY.	Note
1	Control board enclosure assembly	30012023	1	
2	ZSE mini full assembly	30012356	1	
3	3 Pole Change Over relay	30000984	1	
4	2 pole terminal block	30011526	1	13A machines
5	Terminal Block - 5 Pole - Grip Type	30001146	1	30A and 3 phase machines
6	2.5x10mm PT screw	30011824	2	
7	3.5x10mm posi pan head PT screw	30011825	1	
8	Wiring harness - 350/400/500 UI/Door	30011863	1	Not shown
9	Wiring harness 350-400 13A		1	13A machines
10	Wiring harness - 400mm 13A/30A/3P WS		1	30A and 3 phase machines
11	WAGO 5 pole jumping bar	30008142	1	Refer wiring diagram for quantity
12	4 Amp Fine Fuse ZSE	3111123	1	

## 5. Filters – Gravity drain

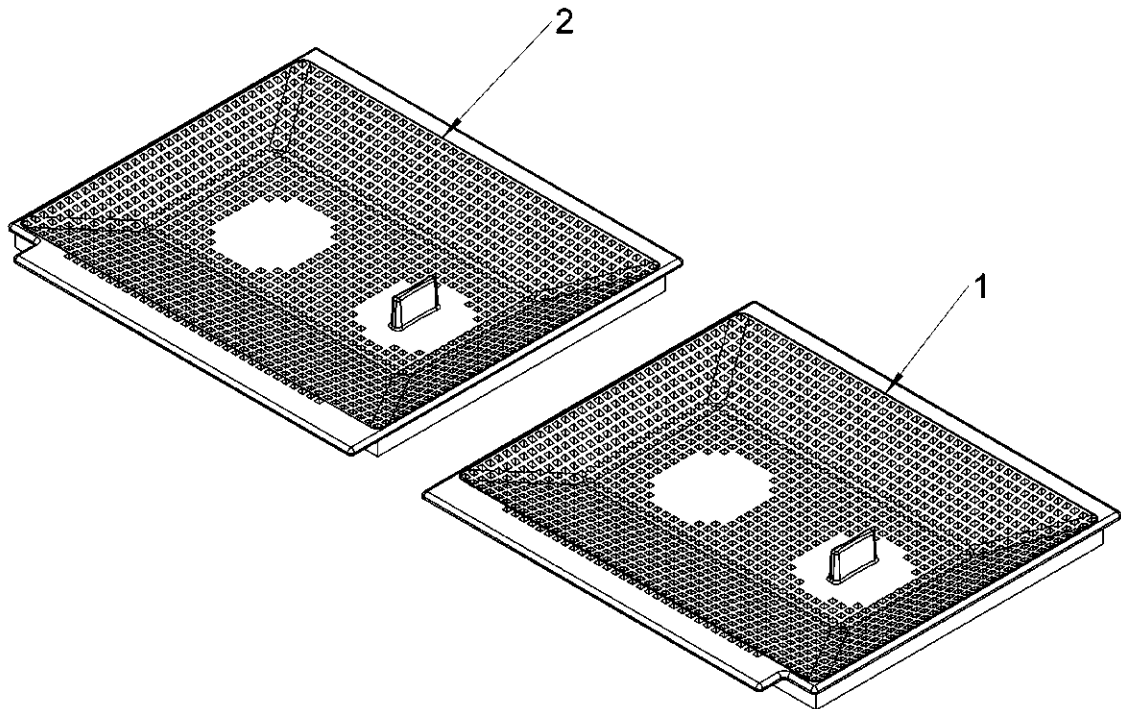


30006487-A

## 5. Filters – Gravity drain – BOM

Item	Description	Part number	QTY.	Note
1	Wash filter RH - 400mm - Gravity drain	30000941	1	
2	Wash Filter - LH - 400mm	30000943	1	

## 6. Filters – Standard drain pump

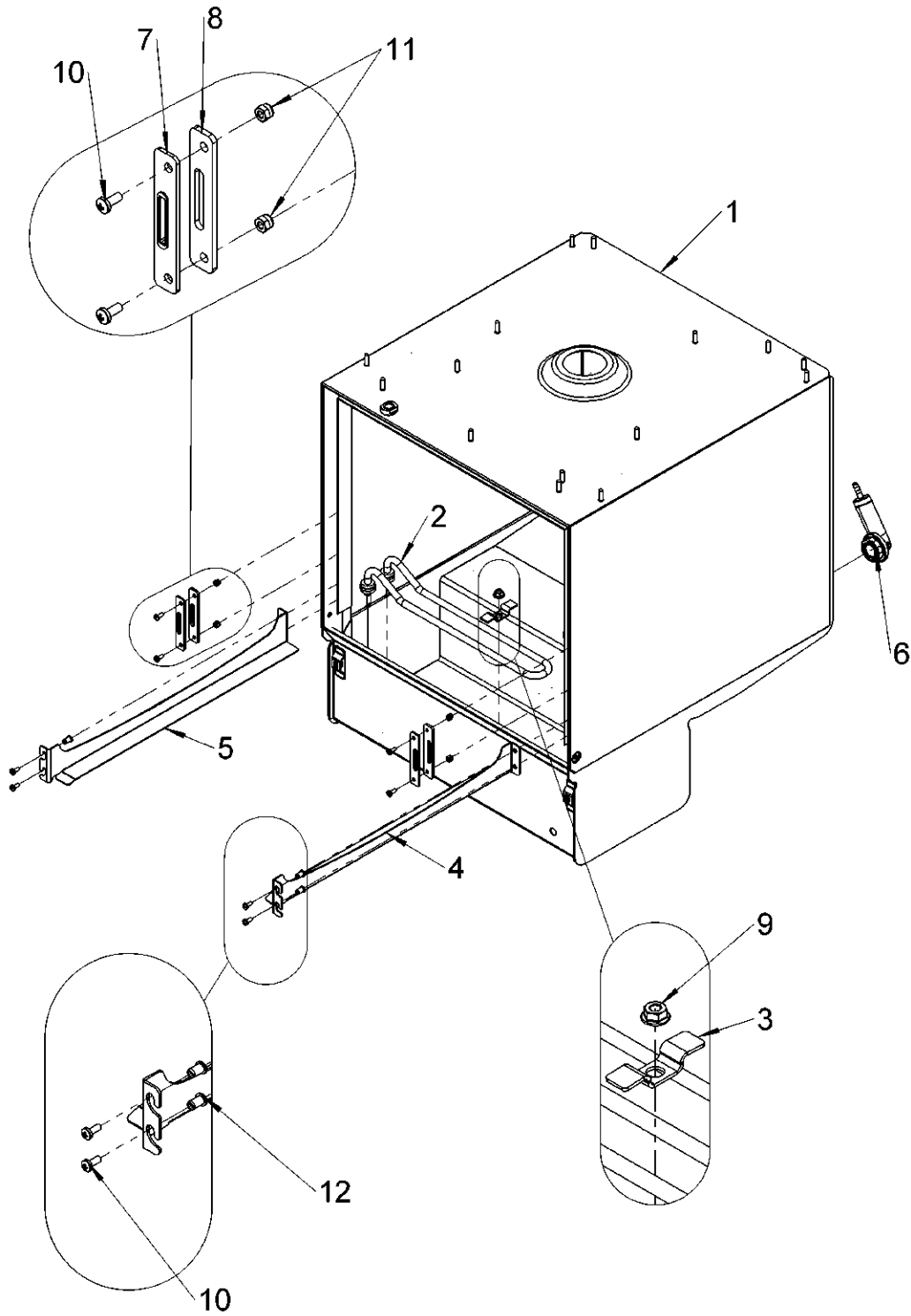


30003329-A

## 6. Filters – Standard drain pump – BOM

Item	Description	Part number	QTY.	Note
1	Wash filter RH - 400mm - Drain pump	30000942	1	
2	Wash Filter - LH - 400mm	30000943	1	

## 7. Cabinet internal assembly



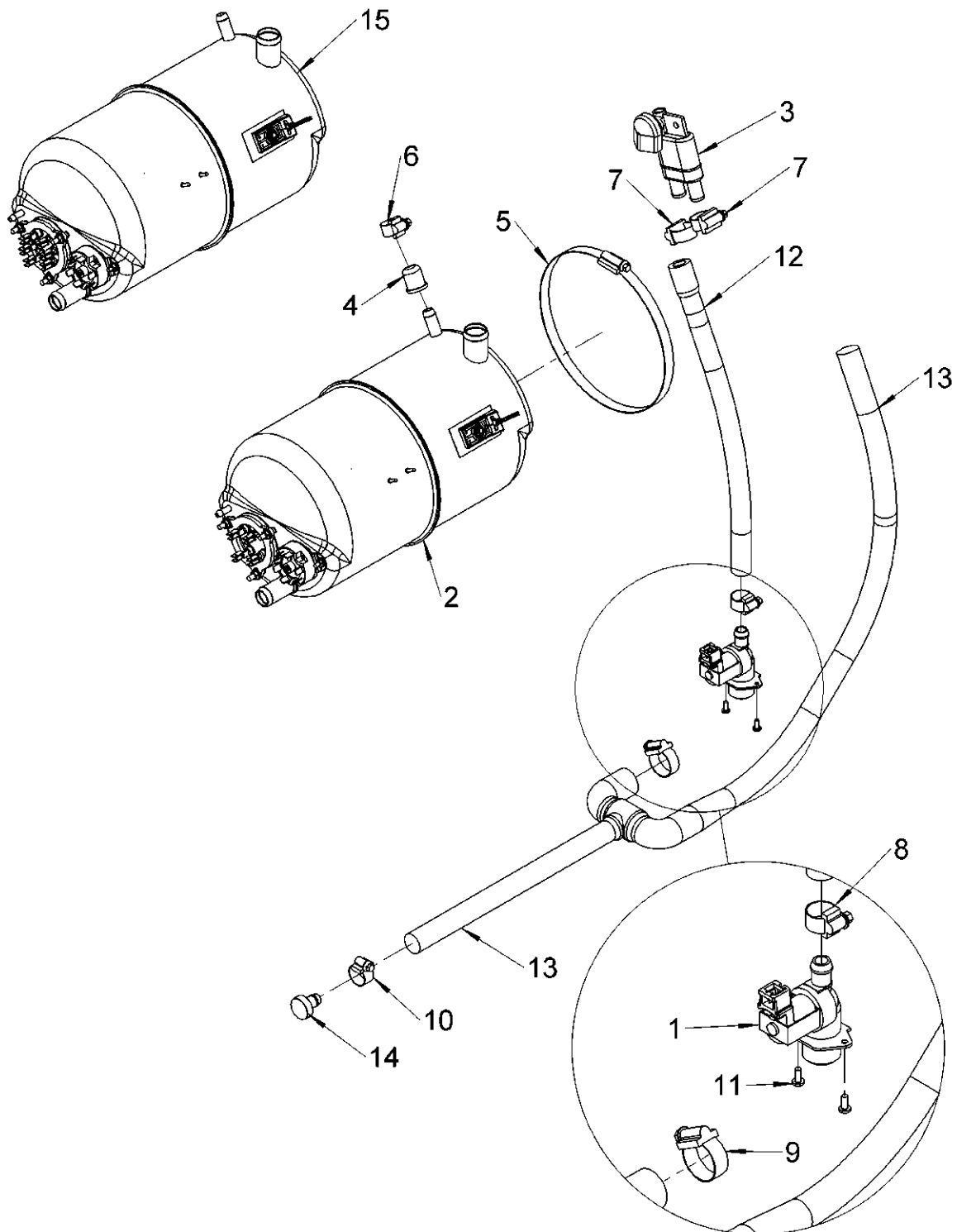
30003323-A



## 7. Cabinet internal assembly – BOM

Item	Description	Part number	QTY.	Note
1	400mm cabinet weld assembly		1	Not available as a spare
2	2kW Wash element	30000975	1	Includes 2x Washers & 2x M12 fine thread thin nut
3	Wash Element Retaining Bracket	30006126	1	
4	400 RH Basket ramp	30001046	1	
5	400 LH Basket ramp	30001047	1	
6	Air chamber assembly kit	60003525	1	
7	Door Inlay	30001061	2	
8	Plate - Door stop	30001062	2	
9	M6 Flange nut (DIN 6923)	30001848	1	
10	M4 x 10mm Posi pan head screw	30006293	8	
11	M4 Nylock nut (ISO 7040)	30001172	4	
12	Round nutserts	30001075	4	

## 8. Fill system

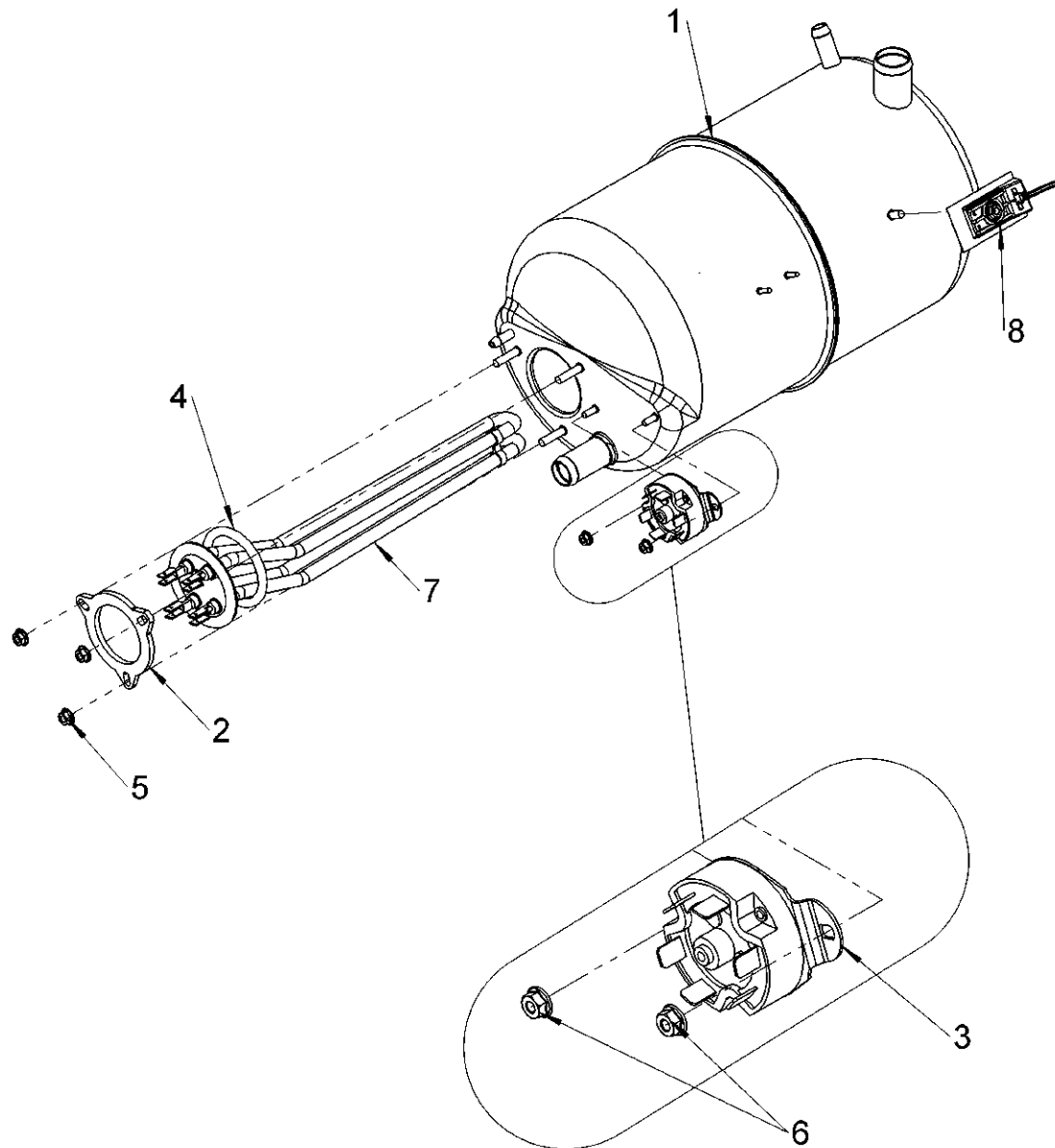


30003325-A

## 8. Fill system – BOM

Item	Description	Part number	QTY.	Note
1	Solenoid valve - 11L/min	30011638	1	
2	Rinse boiler - 6.5L - 2.6kW	30011804	1	13A machines
3	Lateral check valve assembly	30003528	1	
4	End cap - 12 x 20 - rubber	30001117	1	
5	Jubilee clip - 160mm - 180mm	30001113	1	
6	Jubilee Clip - 12mm to 22mm	30001088	1	
7	Jubilee Clip - 16mm to 27mm	30001799	2	
8	Jubilee Clip - 12mm to 22mm	30001088	1	
9	Jubilee Clip - 20mm to 32mm	30001112	1	
10	Jubilee Clip - 12mm to 22mm	30001088	1	
11	M4 x 10mm Posi pan head screw	30006293	2	
12	Solenoid to lateral check valve hose - 400mm	30011735	1	
13	Lateral check valve to rinse boiler hose - 400mm	30011738	1	
14	Stopper end cap	70007962	1	
15	Rinse Boiler - 6.5L - 6kW	30011284	1	30A and 3 phase machines

## 9. Rinse tank assembly 2.6kW (30011804)

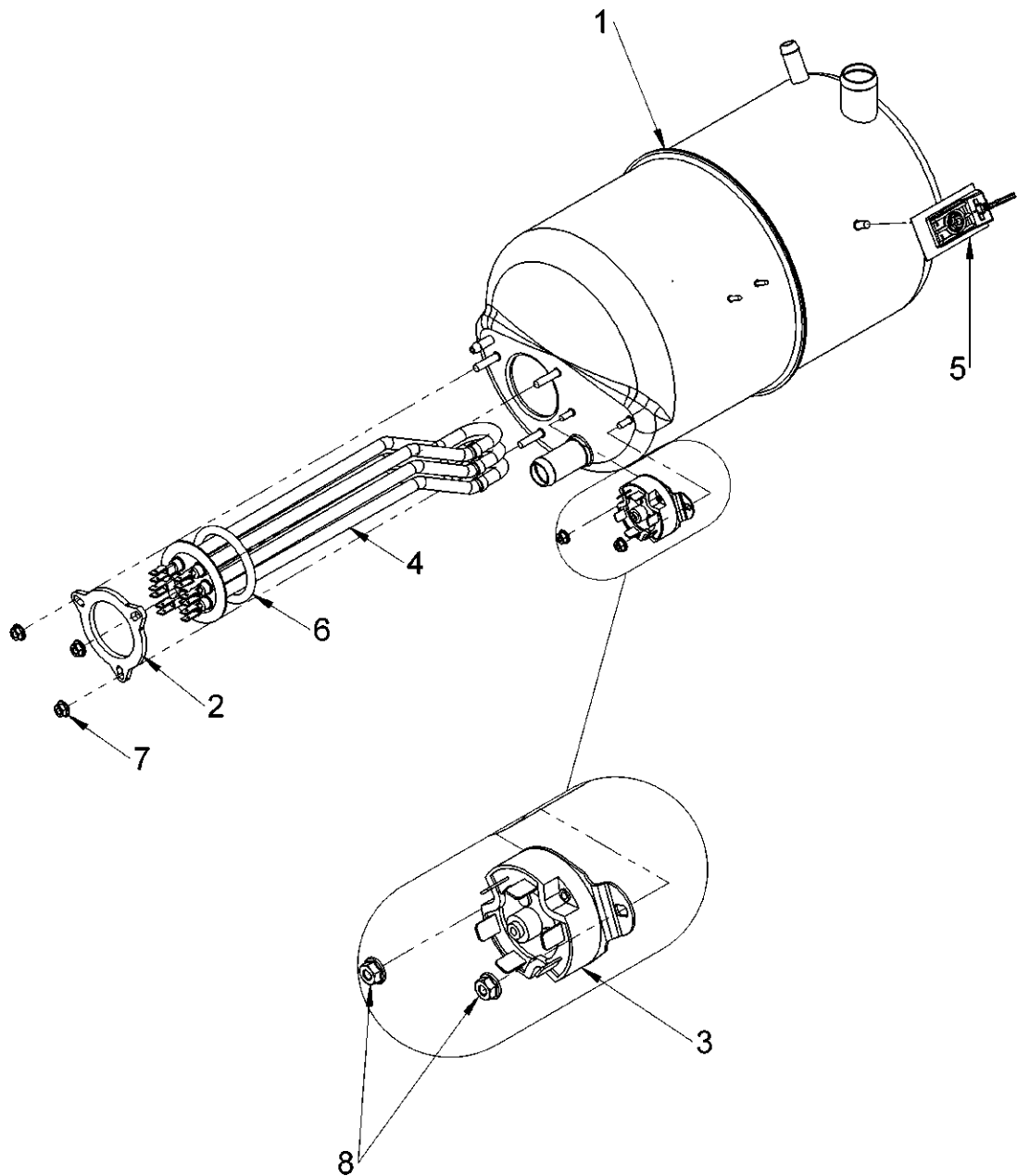


30011804-A

## 9. Rinse tank assembly 2.6kW – BOM

Item	Description	Part number	QTY.	Note
1	Rinse boiler - 6.5L	30011840	1	
2	Bracket - rinse element	0117003	1	
3	Manual reset thermal trip switch - 3 pole - 95°C	30006090	1	
4	O-Ring - Ø46 x Ø6	30000947	1	
5	M5 Flange nut (DIN 6923)	30001186	3	
6	M4 Flange nut (DIN 6923)	30006237	2	
7	2.6kW rinse element	30011828	1	
8	Thermal sensor kit	30002179	1	

10. Rinse tank assembly 6kW (30011284)

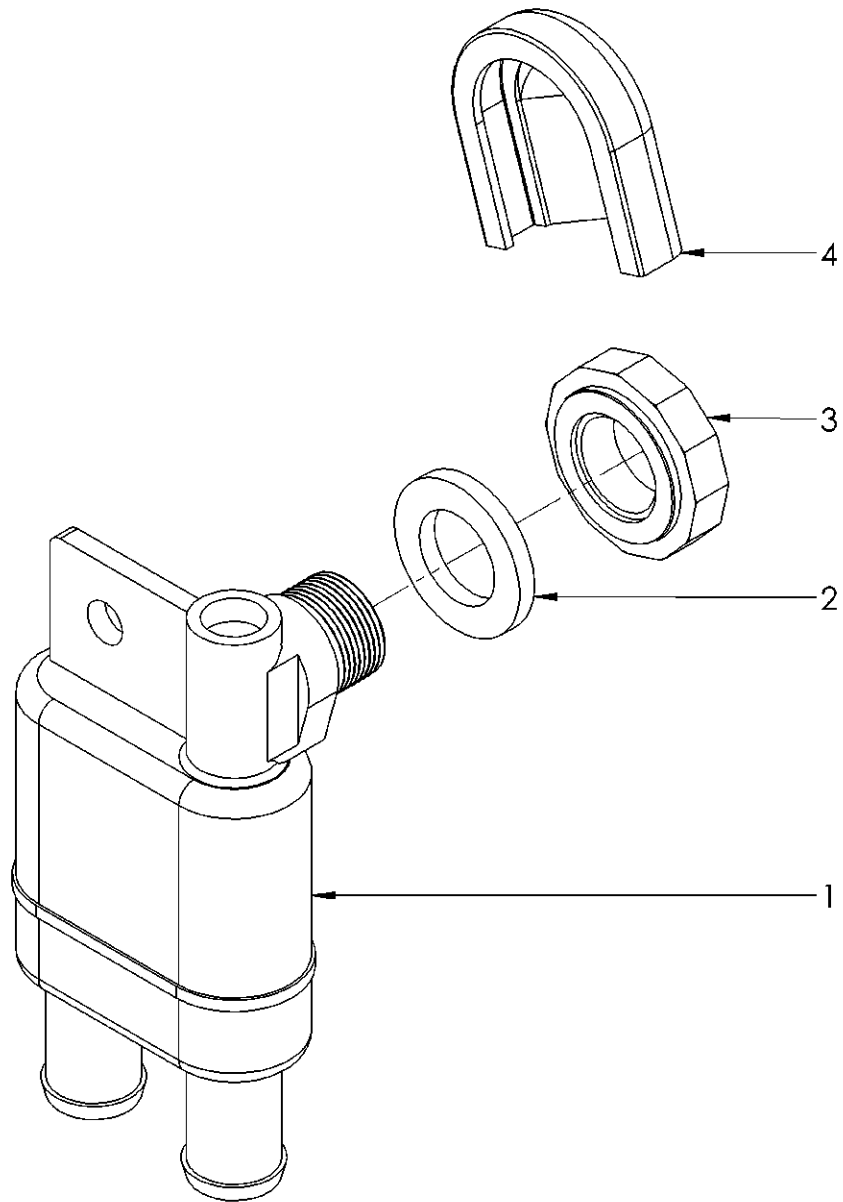


30011284-A

## 10. Rinse tank assembly 6kw - BOM

Item	Description	Part number	QTY.	Note
1	Rinse boiler - 6.5L	30011840	1	
2	Bracket - rinse element	0117003	1	
3	Manual reset thermal trip switch - 3 pole - 95°C	30006090	1	
4	6kW element - no phile	30011827	1	
5	Thermal sensor kit	30002179	1	
6	O-Ring - Ø46 x Ø6	30000947	1	
7	M5 Flange nut (DIN 6923)	30001186	3	
8	M4 Flange nut (DIN 6923)	30006237	2	

11. Lateral check valve assembly (30003528)



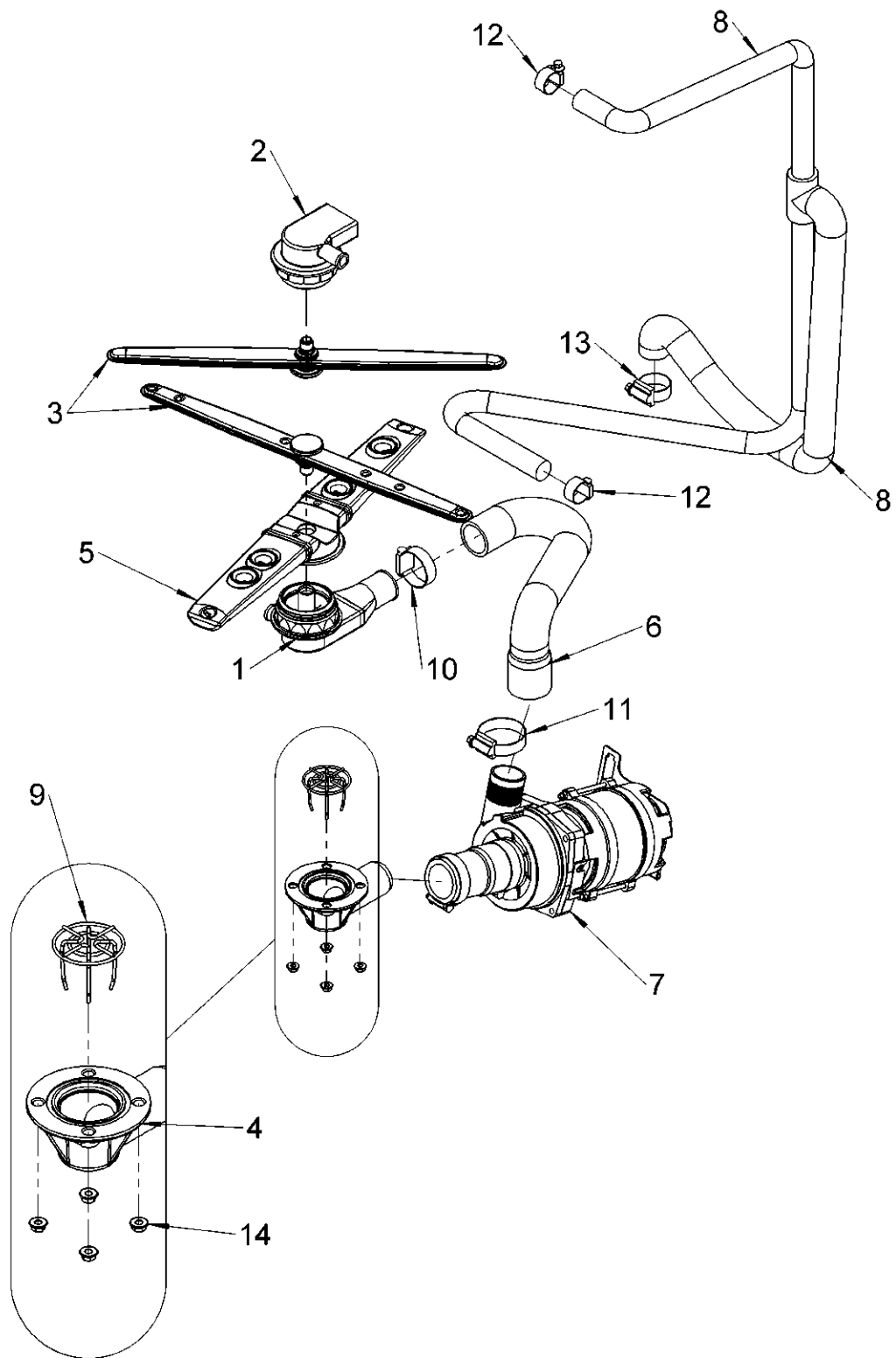
30003528-A



## 11. Lateral check valve assembly – BOM

Item	Description	Part number	QTY.	Note
1	Lateral check valve	3501194		
2	Lateral check valve seal	30001056		
3	Bihexagonal nut	61004451		
4	Cover	61004430		

## 12. Rinse and wash system

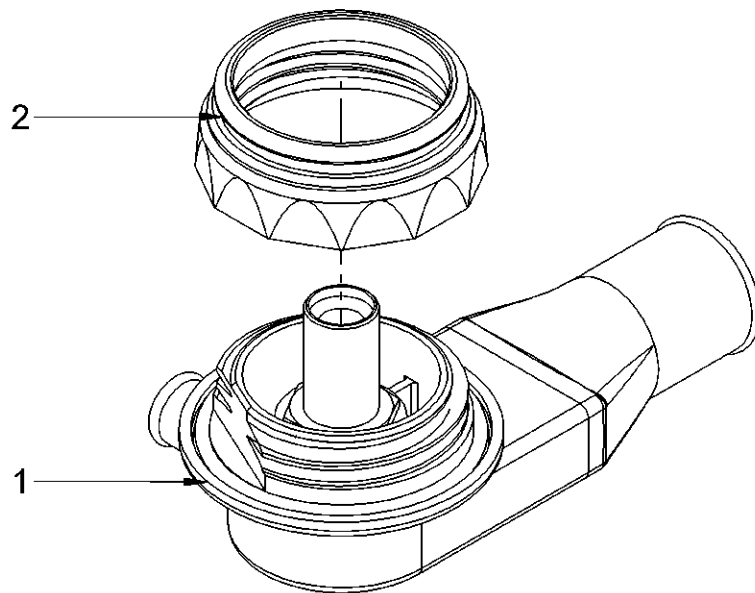


30012281-A

## 12. Rinse and wash system – BOM

Item	Description	Part number	QTY.	Note
1	Centre boss assembly	30003284	1	
2	Centre Boss Assembly Grey	30003223	1	
3	Rinse arm assembly	60005249	2	
4	Wash & Waste outlet manifold kit	30000625	1	
5	Wash arm 400mm Kit	62003531	1	
6	400mm Wash outlet hose -GW	30001087	1	
7	0.25kW Wash pump assembly	30011812	1	
8	Rinse system hose - 400mm	30001086	1	
9	Secondary filter	30011849	1	
10	Jubilee Clip -25mm to 40mm	30001089	1	
11	Jubilee clip - 30mm to 45mm	30001115	1	
12	Jubilee Clip - 12mm to 22mm	30001088	2	
13	Jubilee Clip - 20mm to 32mm	30001112	1	
14	M5 Flange nut (DIN 6923)	30001186	4	

**13. Centre boss assembly (30003284)**

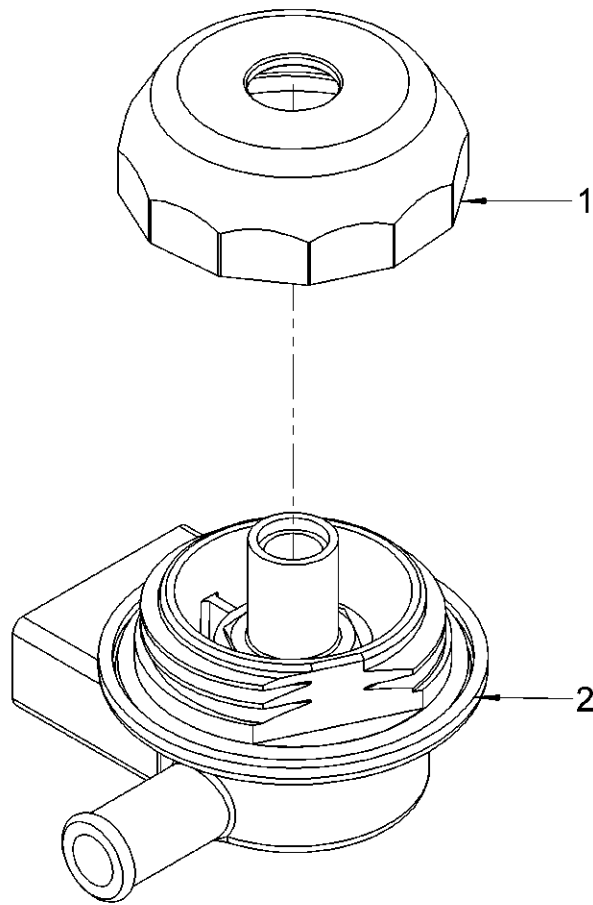


30003284-A

### 13. Centre boss assembly – BOM

Item	Description	Part number	QTY.	Note
1	Centre boss assembly	30012323	1	
2	Lock nut	60003005	1	

**14. Top boss assembly (30003223)**

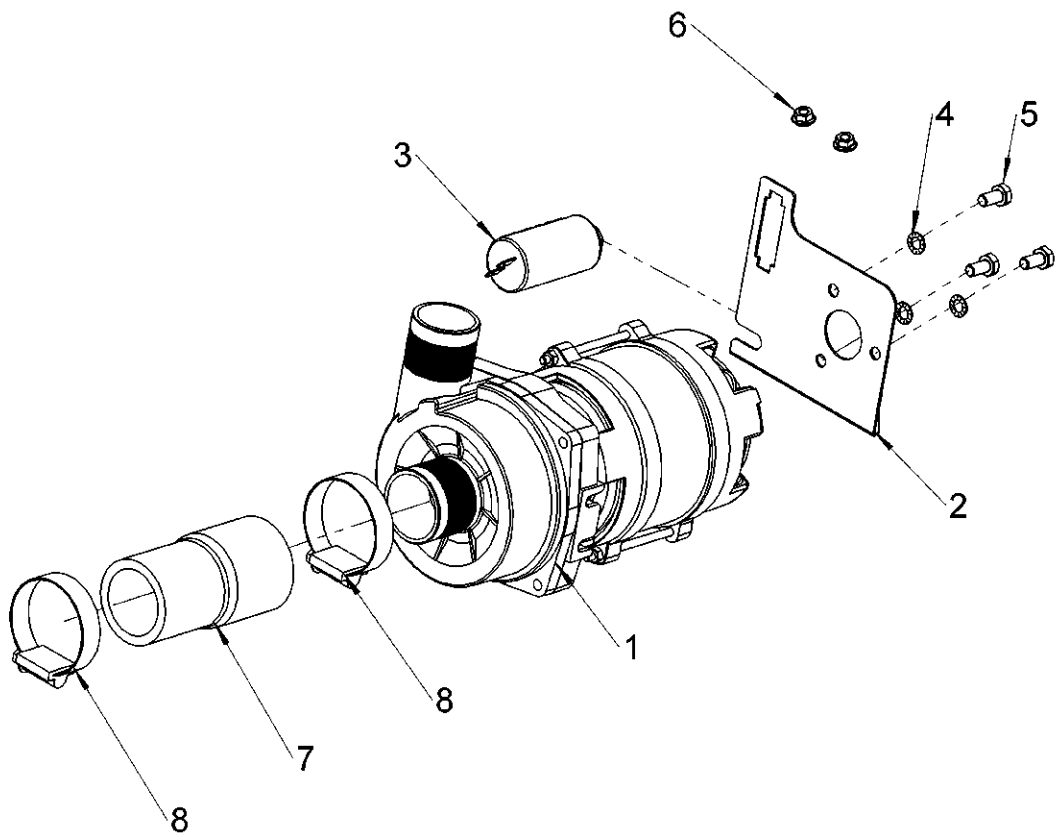


30003223-A

## 14. Top boss assembly – BOM

Item	Description	Part number	QTY.	Note
1	Locking Nut	62003024	1	
2	Grey Centre boss bottom assembly	30012324	1	

## 15. Wash pump assembly (30011812)



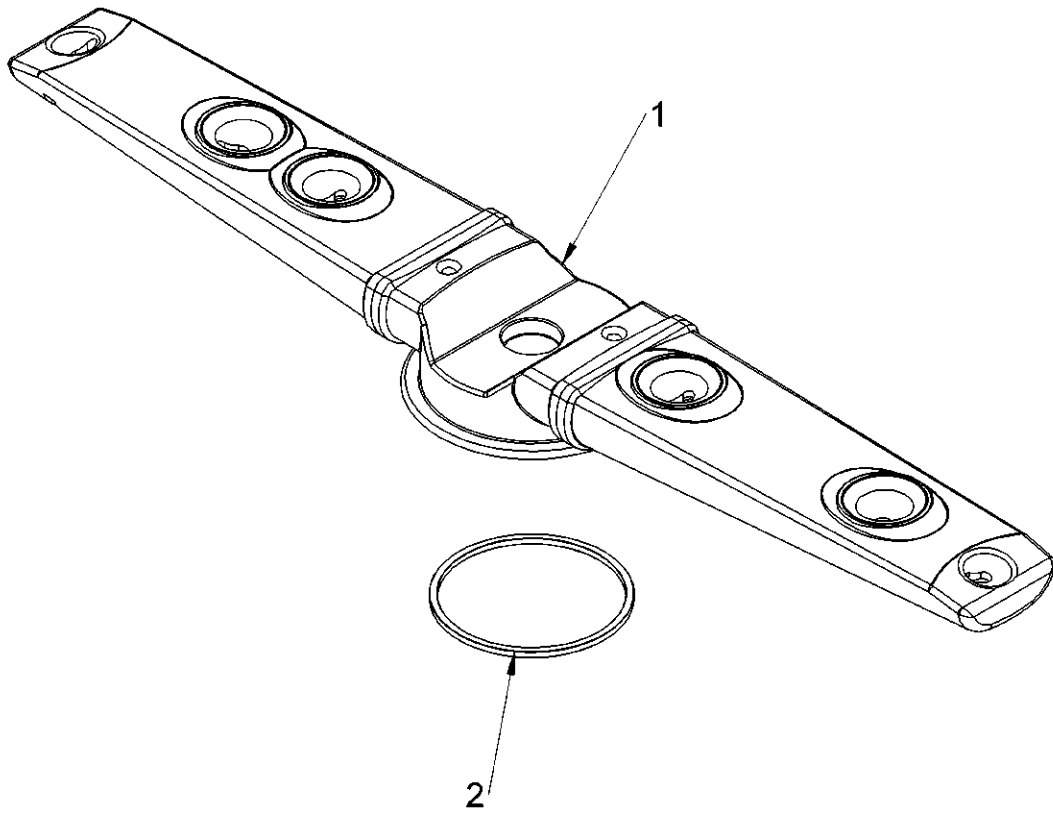
30011812-A



## 15. Wash pump assembly – BOM

Item	Description	Part number	QTY.	Note
1	0.25kW Wash pump	30011818	1	
2	400mm wash pump bracket	30011676	1	
3	5 $\mu$ F Capacitor	30011583	1	Includes washer & nut
4	M6 Serrated washer	30007939	3	
5	M6 x 12 hex head screw (ISO 4017)	30008585	3	
6	M5 Flange nut (DIN 6923)	30001186	2	
7	Wash pump inlet hose	30001125	1	
8	Jubilee clip - 32mm to 50mm	30001114	2	

16. Wash arm 400mm Kit (62003531)

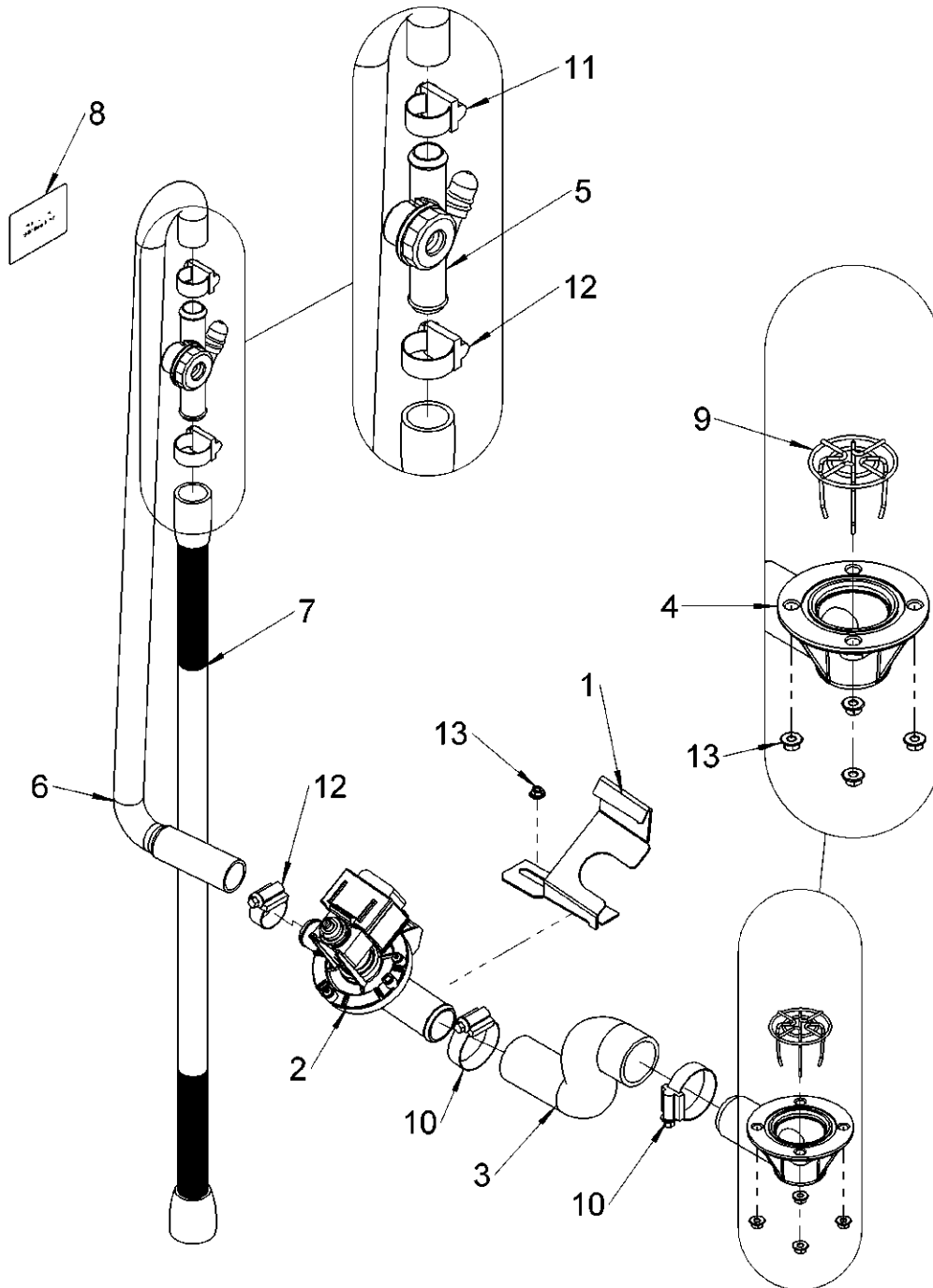


62003531-A

## 16. Wash arm 400mm Kit – BOM

Item	Description	Part number	QTY.	Note
1	400mm wash arm		1	Not available as a spare
2	Seal (turbo ring)	60003021	1	Only on Dishwasher

## 17. Drain pump assembly

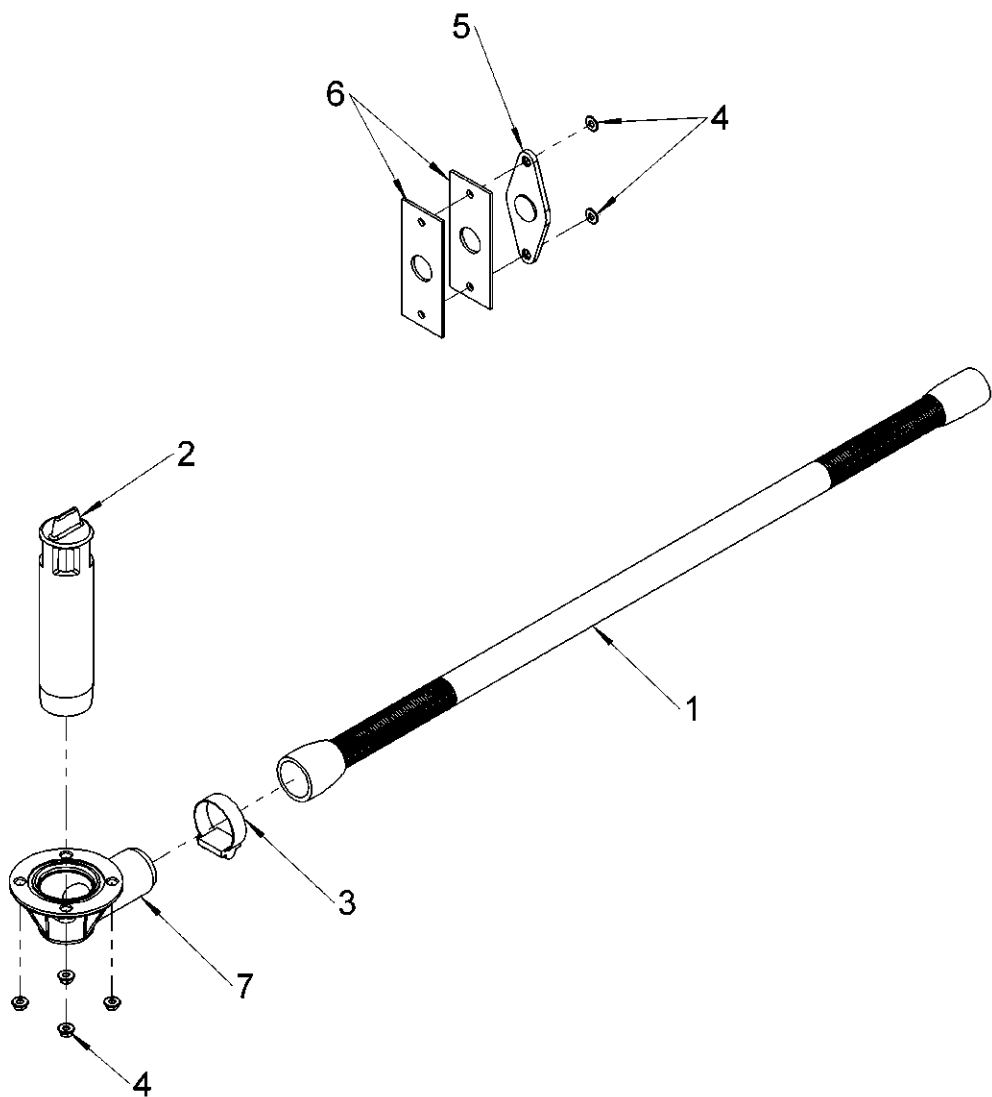


30006485-A

## 17. Drain pump assembly – BOM

Item	Description	Part number	QTY.	Note
1	Drain pump bracket new	30011624	1	
2	Drain pump - Head 90° to flow	30011696	1	
3	Drain pump inlet hose	30011743	1	
4	Wash & Waste outlet manifold kit	30000625	1	
5	Drain Air break kit	60003514	1	
6	Drain pump outlet hose - 400mm	30011728	1	
7	Drain hose	30000986	1	
8	Drain height sticker	30012368	1	
9	Secondary filter	30011849	1	
10	Jubilee clip - 30mm to 45mm	30001115	2	
11	Jubilee Clip - 16mm to 27mm	30001799	1	
12	Jubilee Clip - 16mm to 27mm	30001799	2	
13	M5 Flange nut (DIN 6923)	30001186	5	

## 18. Gravity drain assembly

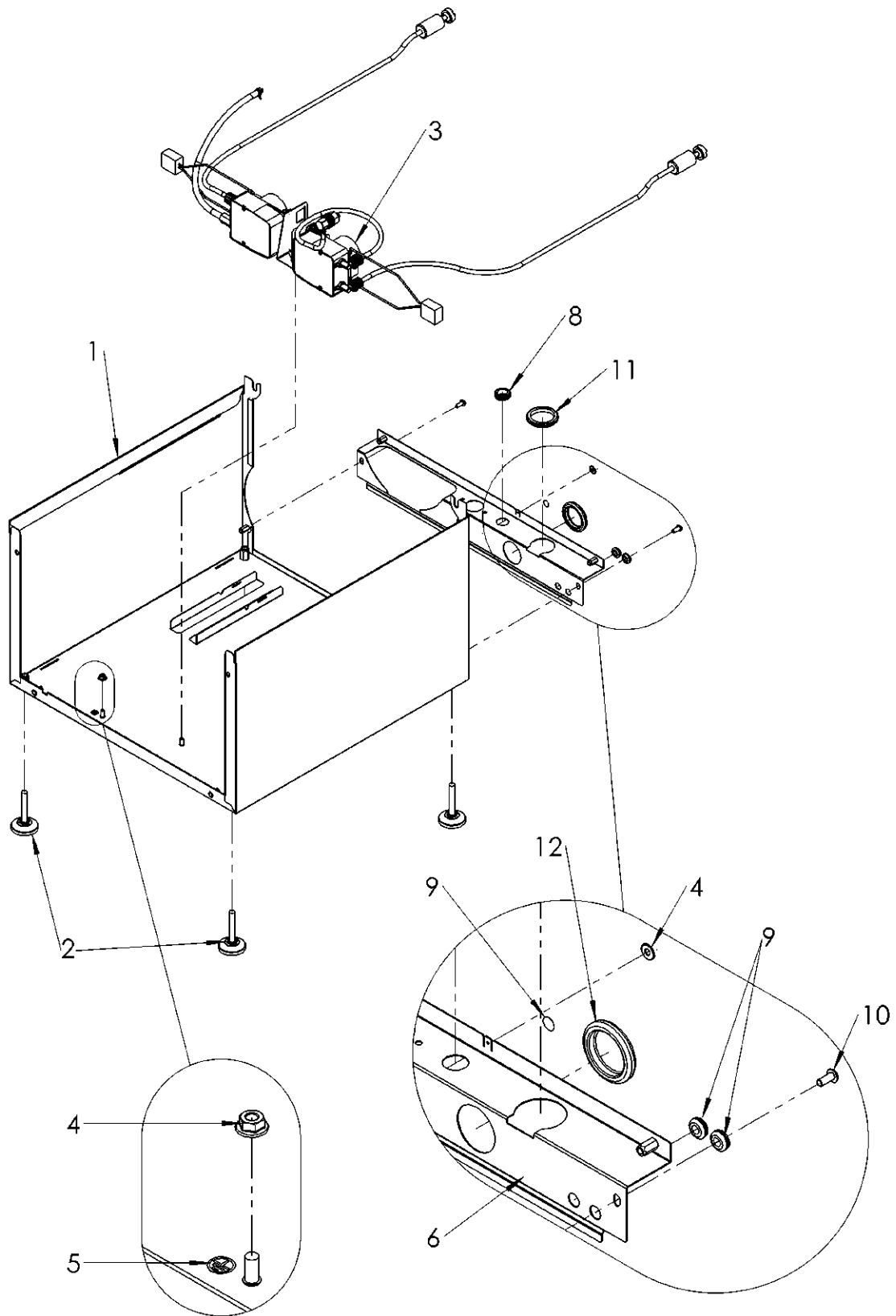


30006486-A

## 18. Gravity drain assembly – BOM

Item	Description	Part number	QTY.	Note
1	Drain hose	30000986	1	
2	Drain Plug - 400mm	30001038	1	
3	Jubilee clip - 30mm to 45mm	30001115	1	
4	M5 Flange nut (DIN 6923)	30001186	6	
5	Airbreak hole blanking cover	30001049	1	
6	Air break seal	30012588	2	
7	Wash & Waste outlet manifold kit	30000625	1	

## 19. Base assembly



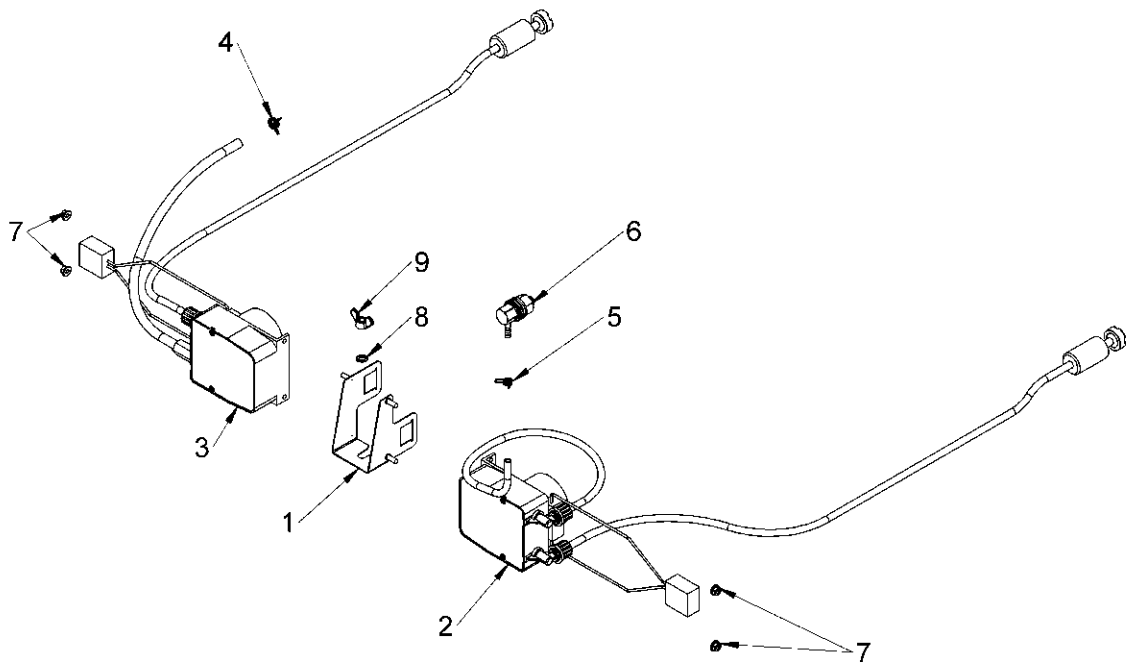
30003315-A



## 19. Base assembly – BOM

Item	Description	Part number	QTY.	Note
1	400mm Base assembly		1	Not available as a spare
2	Adjuster Foot	30001107	4	
3	Chemical pump assembly		1	
4	M5 Flange nut (DIN 6923)	30001186	3	
5	Earth sticker	30008786	3	
6	400mm rear base assembly	30011658	1	
7	Chemical tube grommet	30002141	2	
8	Mains cable grommet	30011630	1	
9	Equipotential bonding sticker	30011891	1	
10	M5 x 12 Hex socket button head screw	30006300	2	
11	Drain hose grommet	30011631	1	
12	Drain blanking grommet	30012167	1	

## 20. Chemical pump assembly

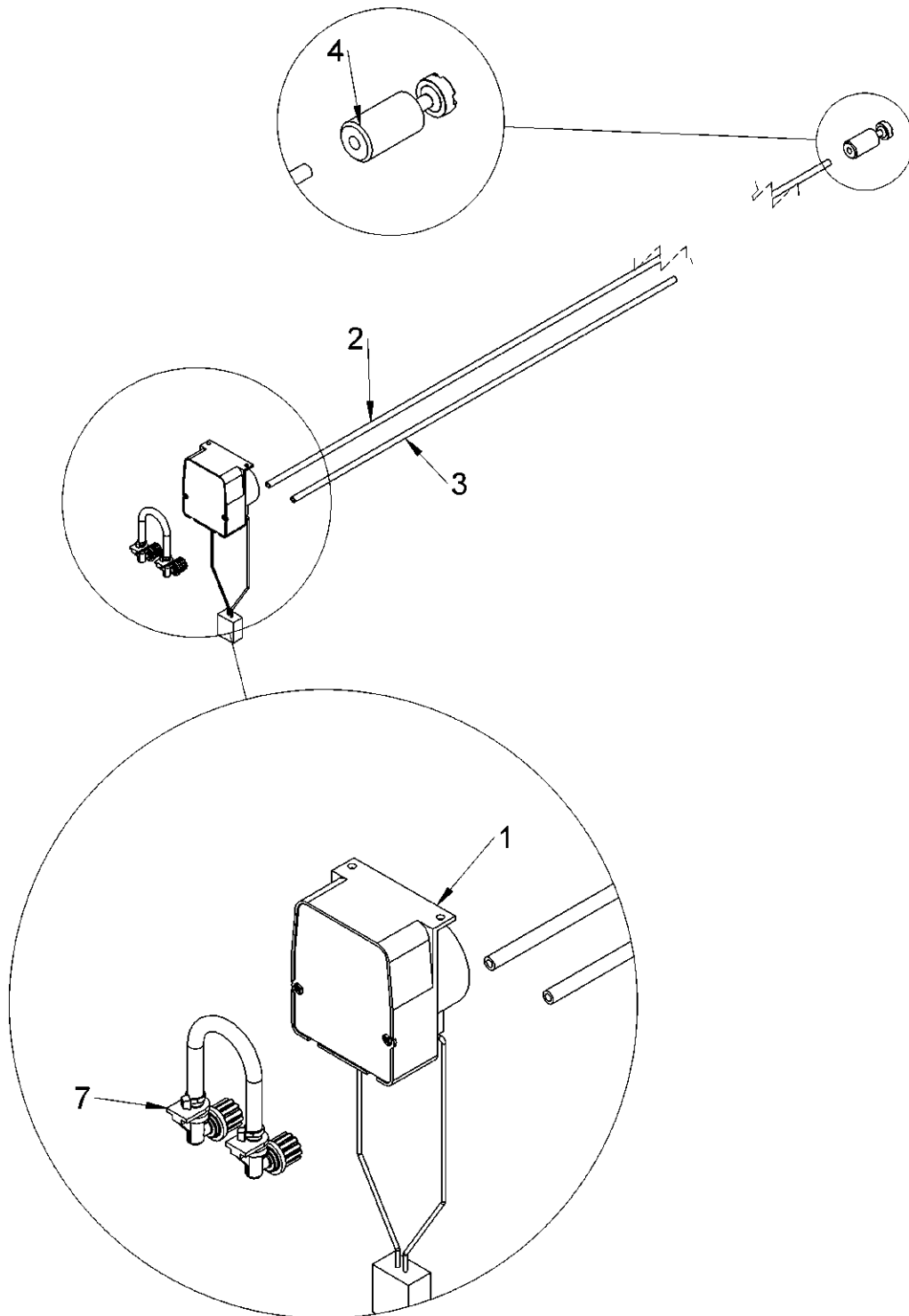


30012343-A

## 20. Chemical pump assembly – BOM

Item	Description	Part number	QTY.	Note
1	Chemical pump bracket assembly	30011626	1	
2	Detergent Pump Assembly	30011805	1	
3	Rinse aid pump assembly	30011806	1	
4	Spring clip - Ø8.8mm to Ø9.3mm	30011994	1	
5	Spring clip - Ø6.6mm to Ø7mm	30011995	1	
6	Detergent inlet fitting	30011822	1	
7	M4 Flange nut (DIN 6923)	30006237	4	
8	M5 Serrated washer	30001126	1	
9	M5 Wing Nut	30001132	1	

21. Detergent pump assembly (30011805)

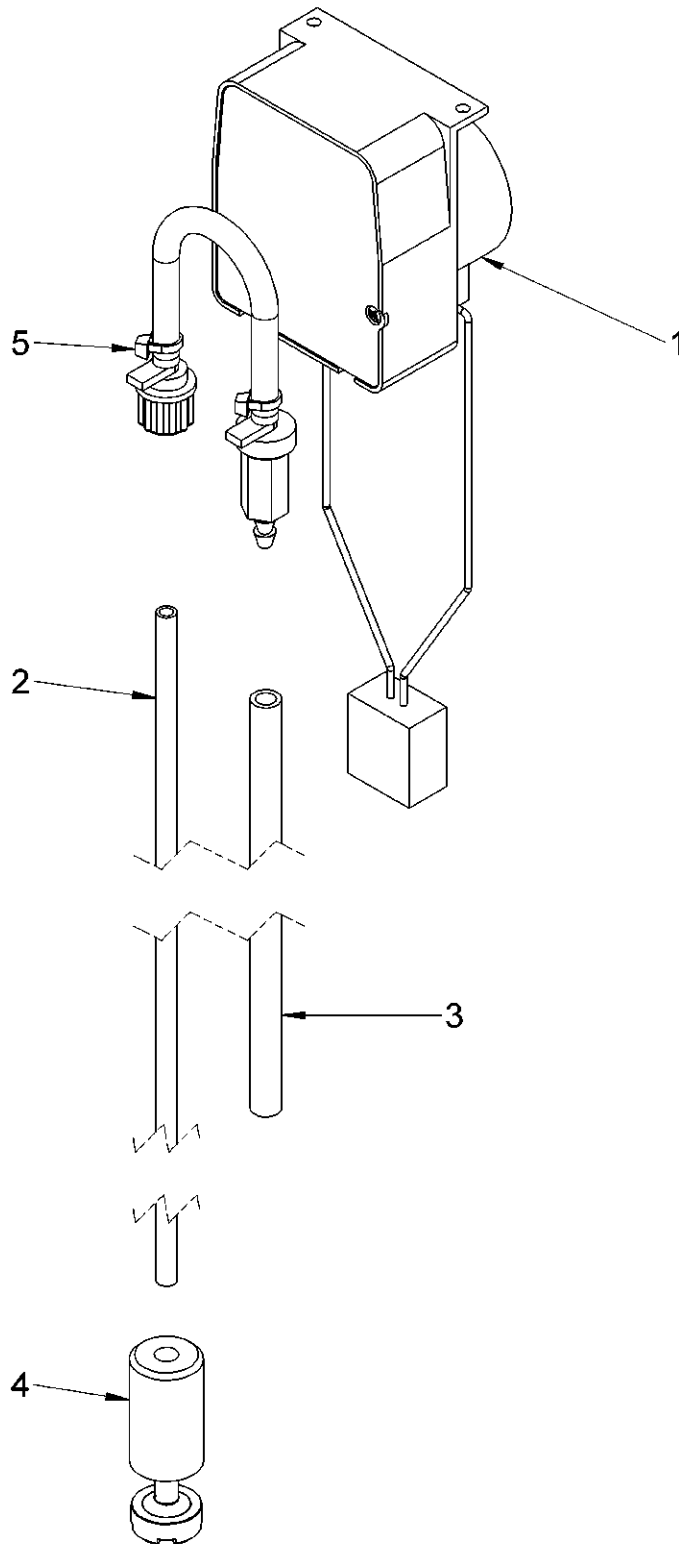


30011805-A

## 21. Detergent pump assembly – BOM

Item	Description	Part number	QTY.	Note
1	Detergent pump housing		1	Not available as a spare
2	Detergent inlet tube	30012405	1	Clear Tube
3	Detergent outlet tube	30012406	1	
4	Bottle weight kit	30012370	1	
5	Detergent peristaltic tube assembly	30012407	1	

22. Rinse aid pump assembly (30011806)

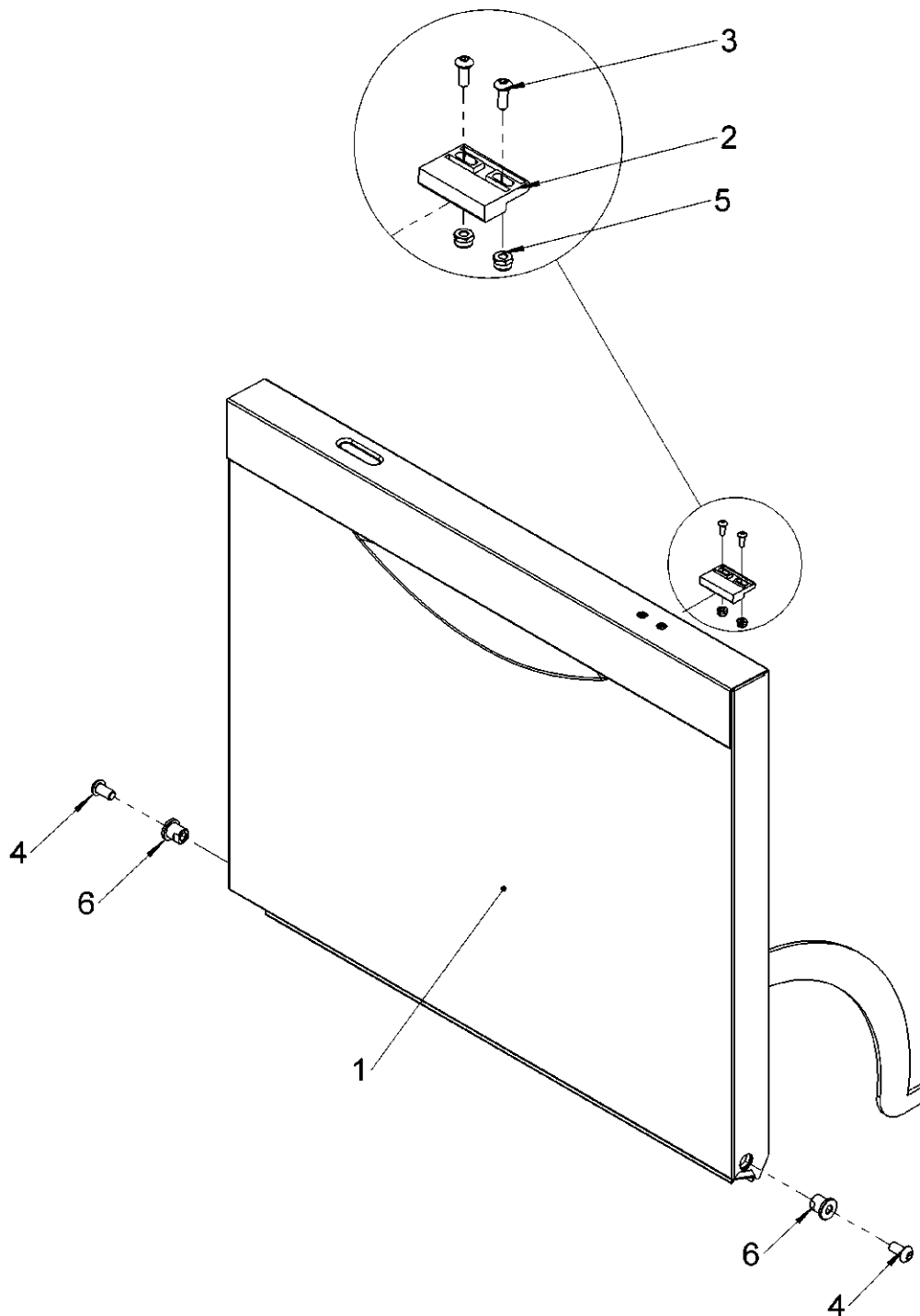


30011806-A

## 22. Rinse aid pump assembly – BOM

Item	Description	Part number	QTY.	Note
1	Rinse aid pump housing		1	Not available as a spare
2	Rinse aid inlet tube	30012413	1	Blue Tube
3	Rinse aid outlet tube	30012414	1	
4	Bottle weight kit	30012370	1	
5	Rinse aid peristaltic tube assembly	30012415	1	

## 23. Door assembly



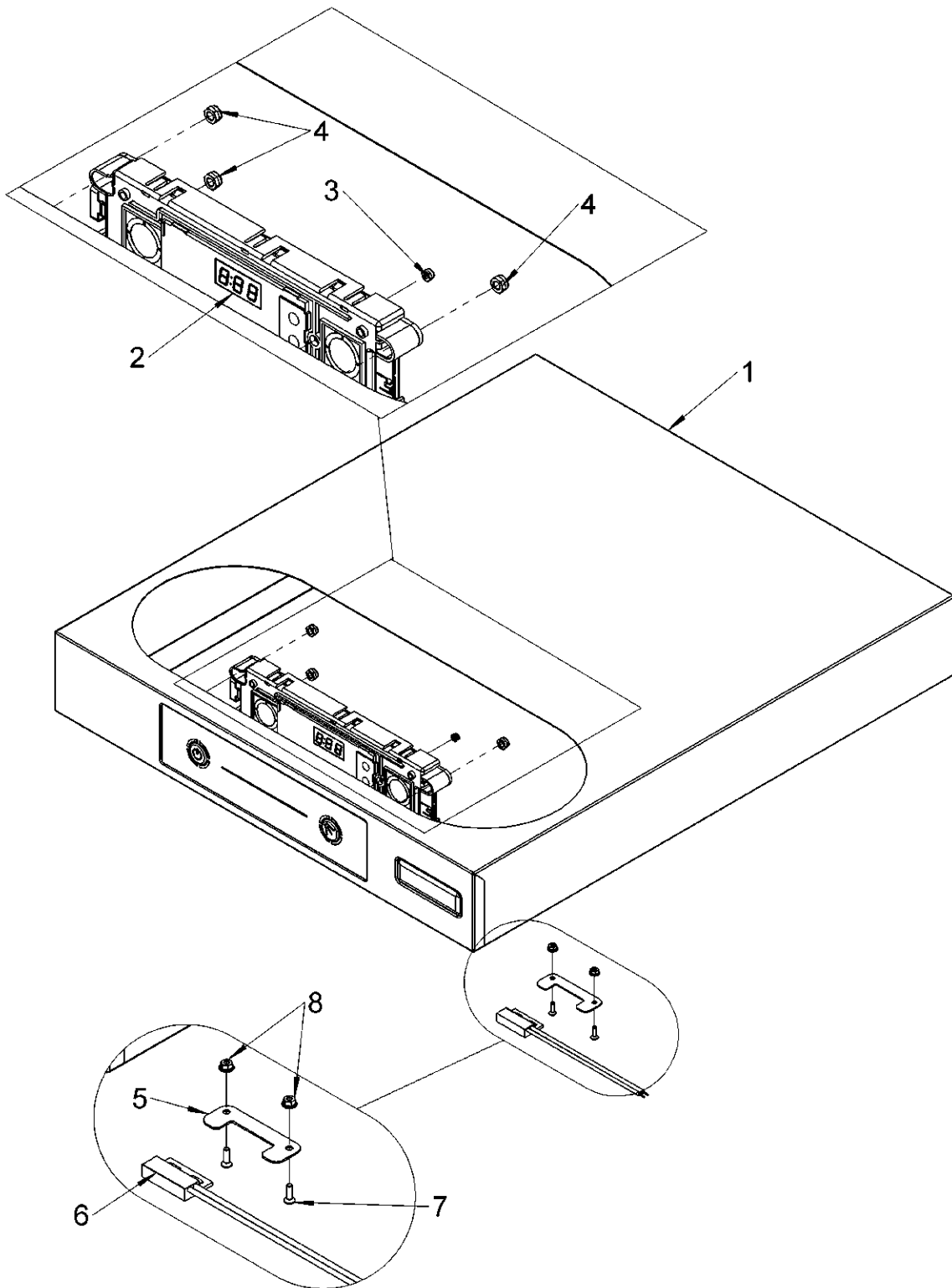
30003317-A



### 23. Door assembly – BOM

Item	Description	Part number	QTY.	Note
1	Door assembly - 400mm	30011671	1	
2	Door magnet	30000981	1	
3	M3 x 8 Hex socket button head screw	30001059	2	
4	M6 x 12 Hex socket button head screw	30001063	2	
5	M3 Thin Nylock nut (ISO 10511)	30001051	2	
6	Door pivot pin	30001050	2	

## 24. Top panel assembly LED



30006483-A

## 24. Top panel assembly LED – BOM

Item	Description	Part number	QTY.	Note
1	400mm SS LED top panel assembly	30006482	1	
2	LED UI assembly	30011791	1	
3	M3 Thin Nylock nut (ISO 10511)	30001051	1	
4	M5 Thin Nylock nut (ISO 10511)	30006274	3	
5	Door switch bracket	30011690	1	
6	Crimped proximity switch assembly	30000980	1	
7	M3 x 10 CSK hex socket head screw	30011975	2	
8	M3 Flange nut (DIN 6923)	30001171	2	

## 25. Accessories

Item	Description	Part number	QTY.	Note
1	400mm Plastic basket - cup/glass	30001165	2	
2	Water supply hose	30001162	1	

## 26. Mains cables

Item	Description	Part number	QTY.	Note
1	13A mains cable kit	30003306	1	
2	3 phase mains cable kit	30003308	1	
3	30A mains cable kit	30012385	1	
4	20A mains cable kit	30003307	1	

Document number: 30012454  
Revision: A  
Date: 09/01/2017  
Language: English