



CLASSEQ LTD

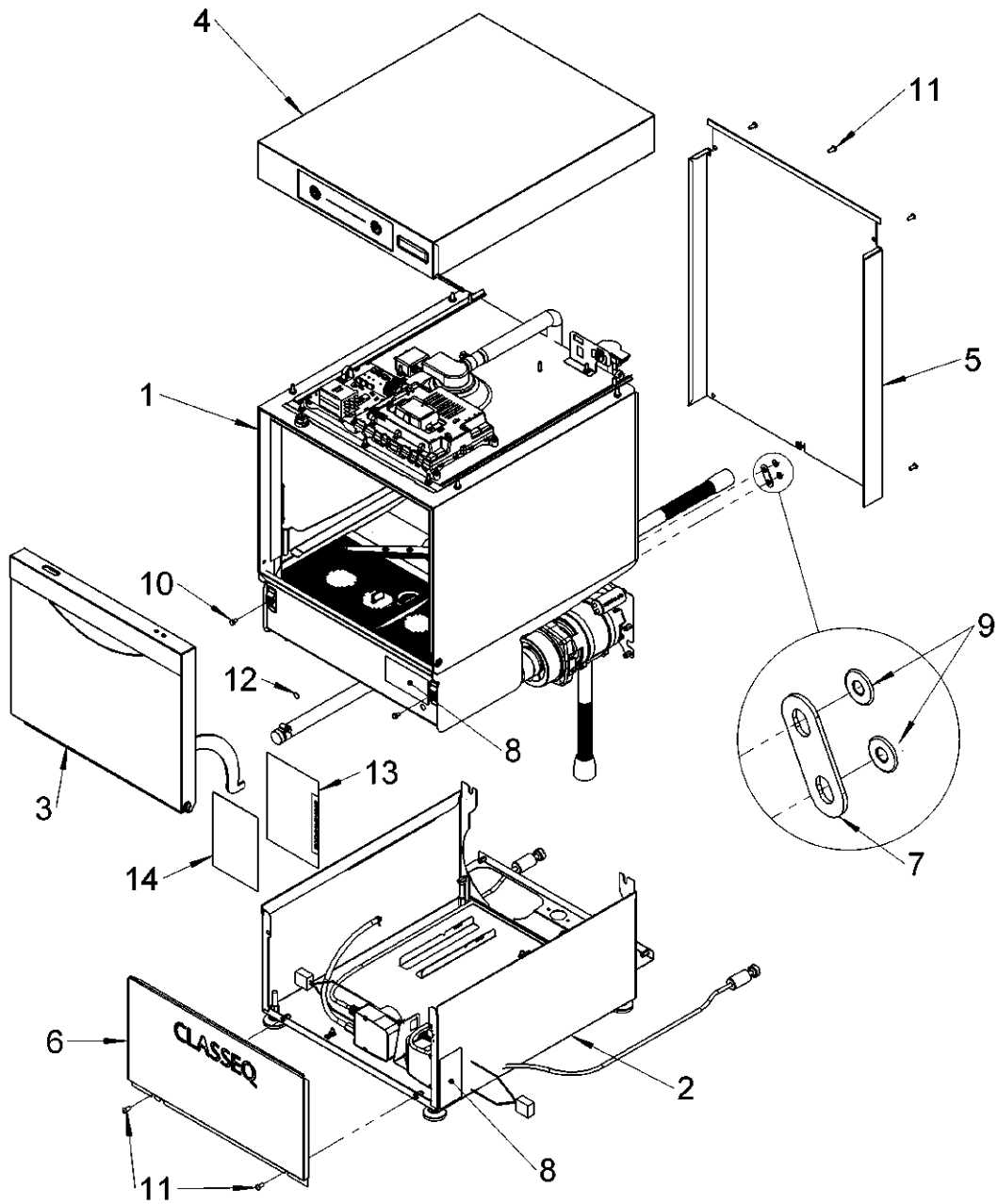
Spares manual

G350

Table of contents for G350

1.	Machine assembly.....	3
2.	Cabinet assembly	5
3.	Cabinet external assembly.....	7
4.	Control unit assembly	9
5.	Filters – Gravity drain.....	11
6.	Filters – Standard drain pump	13
7.	Cabinet internal assembly.....	15
8.	Fill system.....	17
9.	Rinse tank assembly 2.6kW (30011804)	19
10.	Lateral check valve assembly (30003528).....	21
11.	Rinse and wash system	23
12.	Centre boss assembly	25
13.	Top boss assembly (30003223).....	27
14.	Wash pump assembly (30011813).....	29
15.	Wash arm 400mm Kit (62003531)	31
16.	Drain pump assembly	33
17.	Gravity drain assembly.....	35
18.	Base assembly	37
19.	Chemical pump assembly	39
20.	Detergent pump assembly (30011805)	41
21.	Rinse aid pump assembly (30011806)	43
22.	Door assembly.....	45
23.	Top panel assembly LED.....	47
24.	Accessories.....	49
25.	Mains cables.....	49

1. Machine assembly

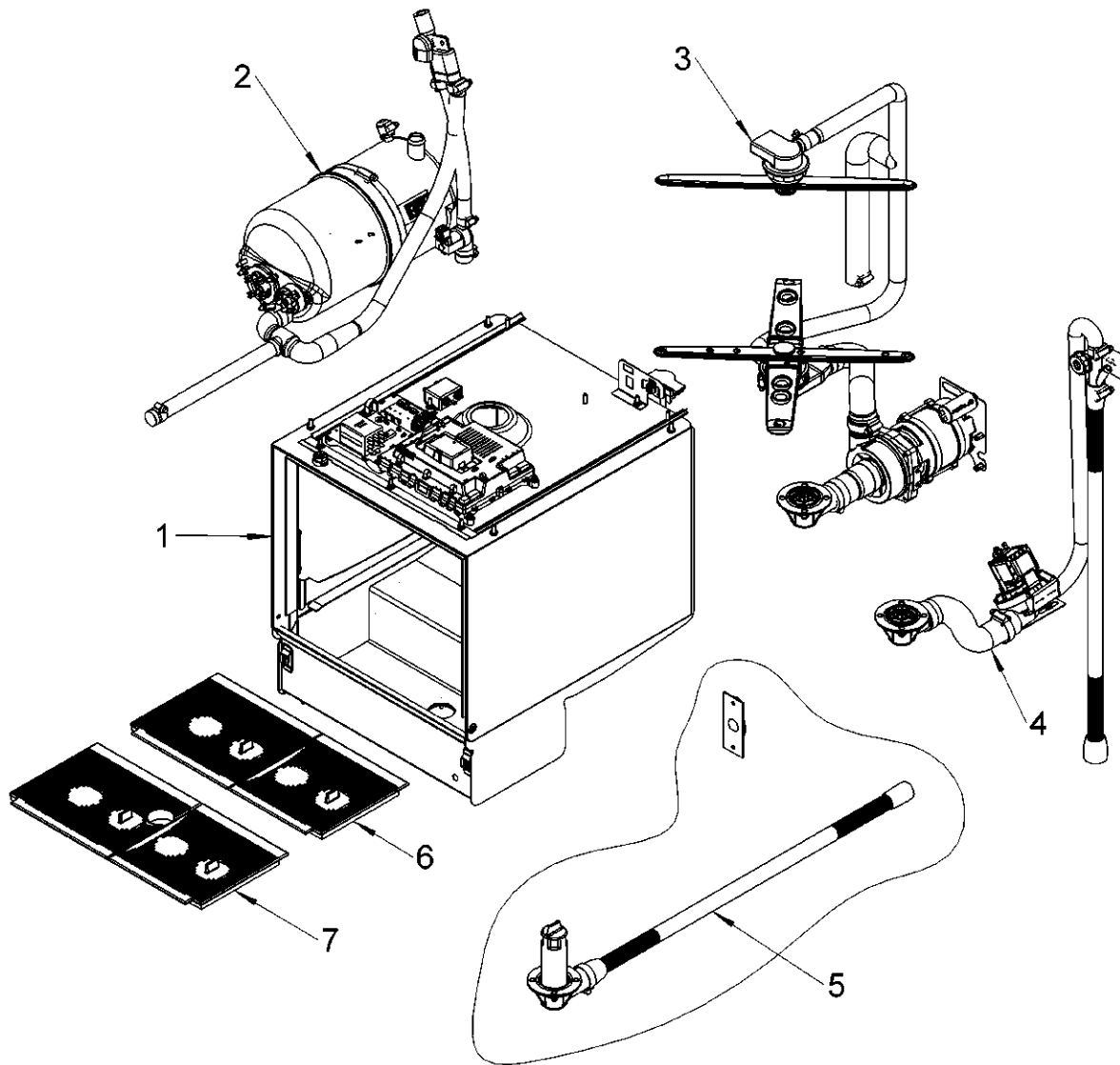


30012308-A

1. Machine assembly - BOM

Item	Description	Part number	QTY.	Note
1	350mm Cabinet assembly		1	
2	350mm Base assembly		1	
3	350mm Door assembly	30012305	1	
4	350mm LED top panel components assembly	30012303	1	
5	350mm Rear panel assembly	90000364	1	
6	350mm Bottom front panel	30011674	1	
7	Bracket - cabinet to base	30001833	2	
8	Rating plate		2	
9	M5 Flange nut (DIN 6923)	30001186	4	
10	M5 x 8 hex head screw (ISO 4017)	30001124	2	
11	M5 x 12 Hex socket button head screw	30006300	7	
12	Earth sticker	30008786	1	
13	Document enclose envelope		1	
14	Wiring diagram - UC_13A_LED	30012029	1	Available for download
15	350mm Washer accessories	30012311	1	Not shown
16	Mains cables		1	Not shown

2. Cabinet assembly

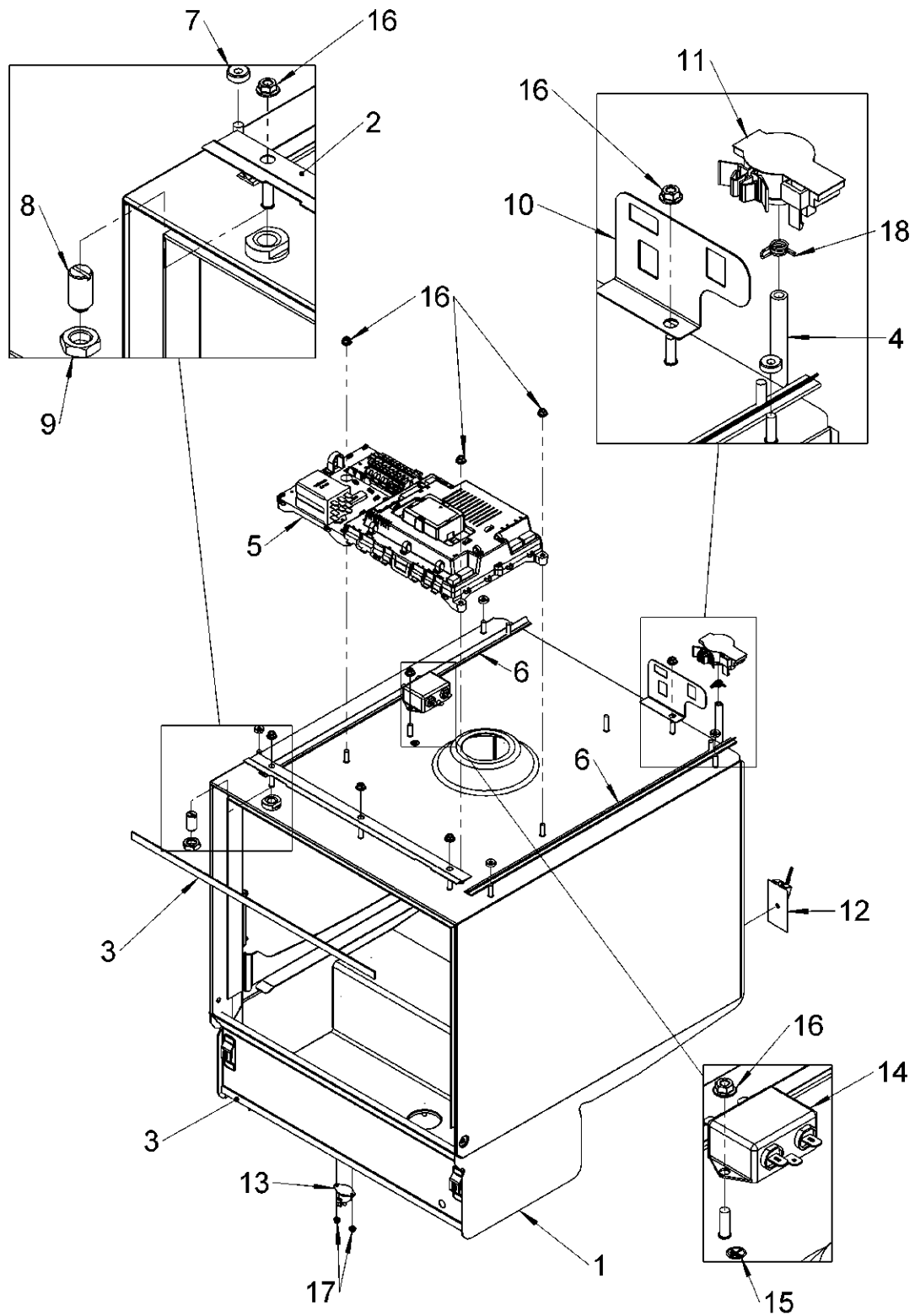


30012306-A

2. Cabinet assembly – BOM

Item	Description	Part number	QTY.	Note
1	350mm Standard wash cabinet - External assembly		1	
2	350mm Pressurized fill system		1	
3	350mm wash & rinse system 350mm Wash and Rinse system		1	
4	350mm Drain pump system	30012298	1	
5	350mm gravity drain assembly	30012299	1	
6	350mm Primary filter kit - Pumped drain	30012309	1	
7	350mm Primary filter kit -Gravity drain	30012310	1	

3. Cabinet external assembly

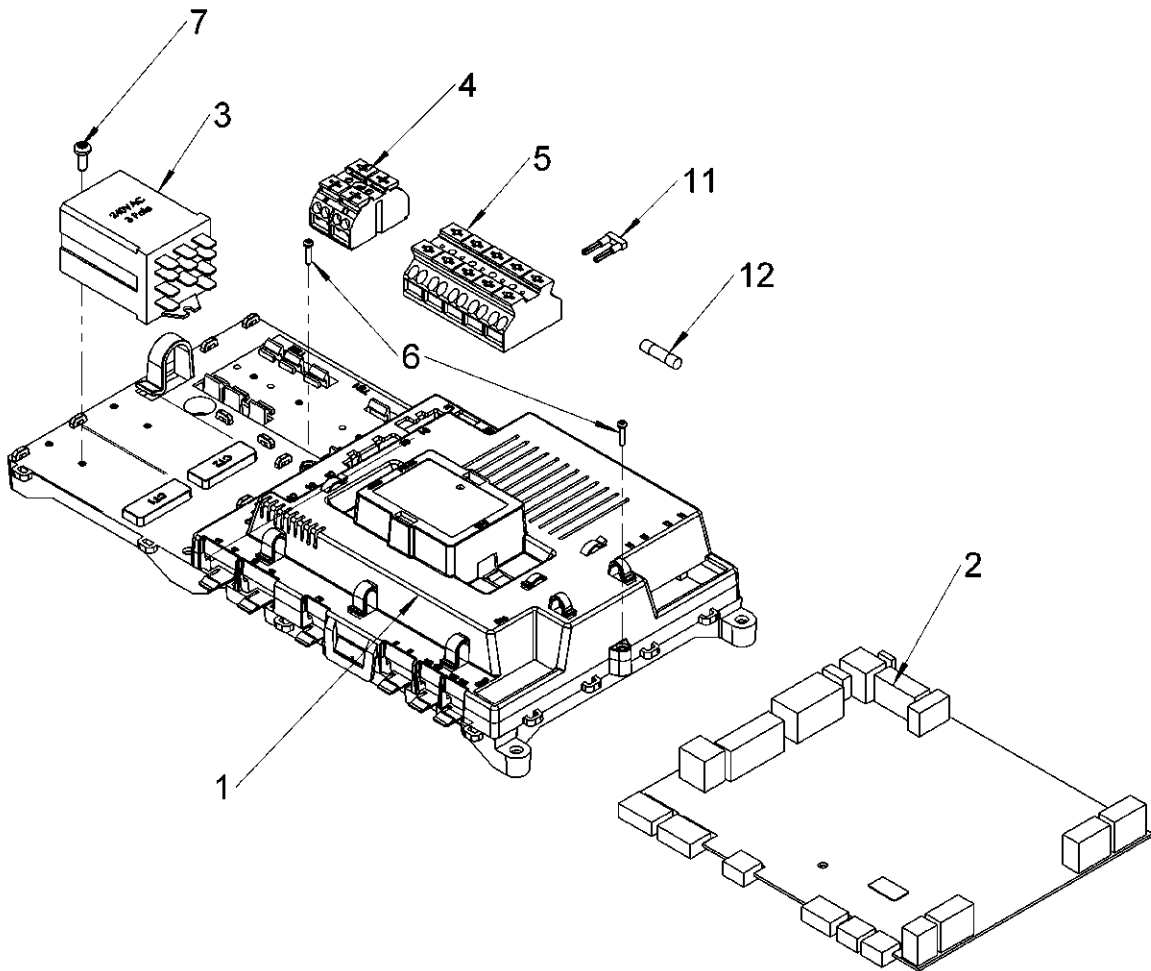


30012295-A

3. Cabinet external assembly – BOM

Item	Description	Part number	QTY.	Note
1	350mm Standard wash cabinet - Internal assembly		1	
2	350mm front water management	30011655	1	
3	350mm Foam seal	30011634	2	
4	Wash APS tube - 350mm	30011884	1	
5	Control unit assembly - 2.6kW		1	
6	Side water management seal - 400/350mm	30012007	2	
7	M5 Press nut	30011807	4	
8	Ball catch - M12	30001064	1	
9	M12 Thin nut	30001070	1	
10	Air pressure sensor bracket	30011625	1	
11	Pressure sensor	3126044	1	
12	Thermal sensor kit	30002179	1	
13	Overheat stat 1 Pole 85°C	30007917	1	
14	UC Mains filter	30012203	1	
15	Earth sticker	30008786	1	
16	M5 Flange nut (DIN 6923)	30001186	8	
17	M3 Flange nut (DIN 6923)	30001171	2	
18	Spring Clip - Ø7.8mm to Ø8.3mm	30001083	2	

4. Control unit assembly

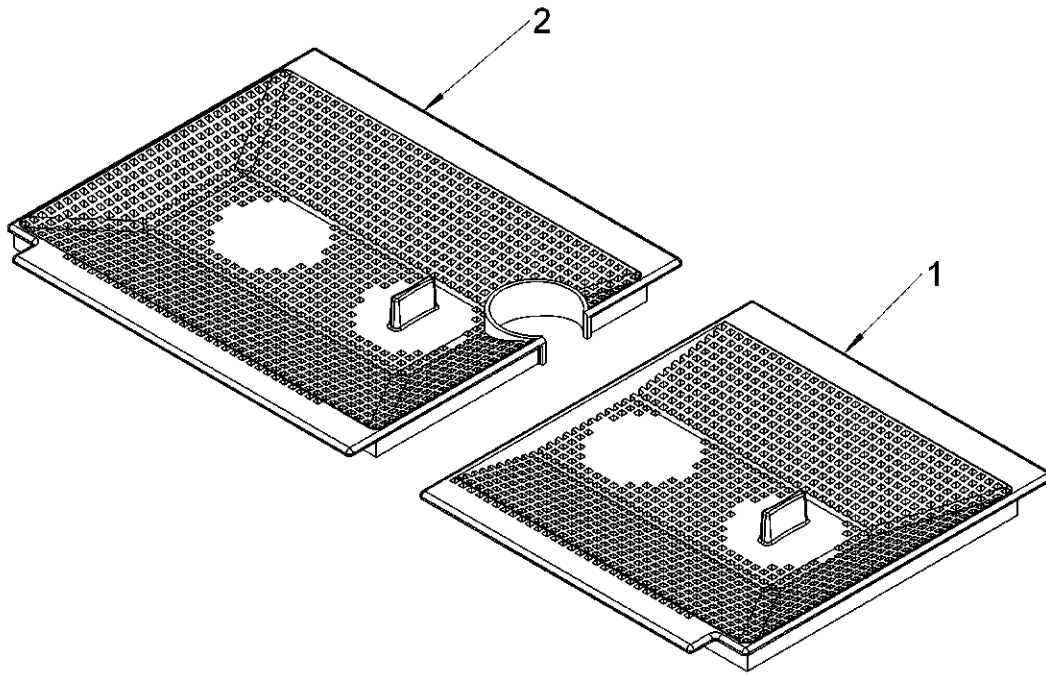


30012350-A

4. Control unit assembly – BOM

Item	Description	Part number	QTY.	Note
1	Control board enclosure assembly	30012023	1	
2	ZSE mini full assembly	30012356	1	
3	3 Pole Change Over relay	30000984	1	
4	2 pole terminal block	30011526	1	13A machines
5	Terminal Block - 5 Pole - Grip Type	30001146	1	30A and 3 phase machines
6	2.5x10mm PT screw	30011824	2	
7	3.5x10mm posi pan head PT screw	30011825	1	
8	Wiring harness - 350/400/500 UI/Door	30011863	1	Not shown
9	Wiring harness 350-400 13A		1	13A machines
10	Wiring harness - 400mm 13A/30A/3P WS		1	30A and 3 phase machines
11	WAGO 5 pole jumping bar	30008142	1	Refer wiring diagram for quantity
12	4 Amp Fine Fuse ZSE	3111123	1	

5. Filters – Gravity drain

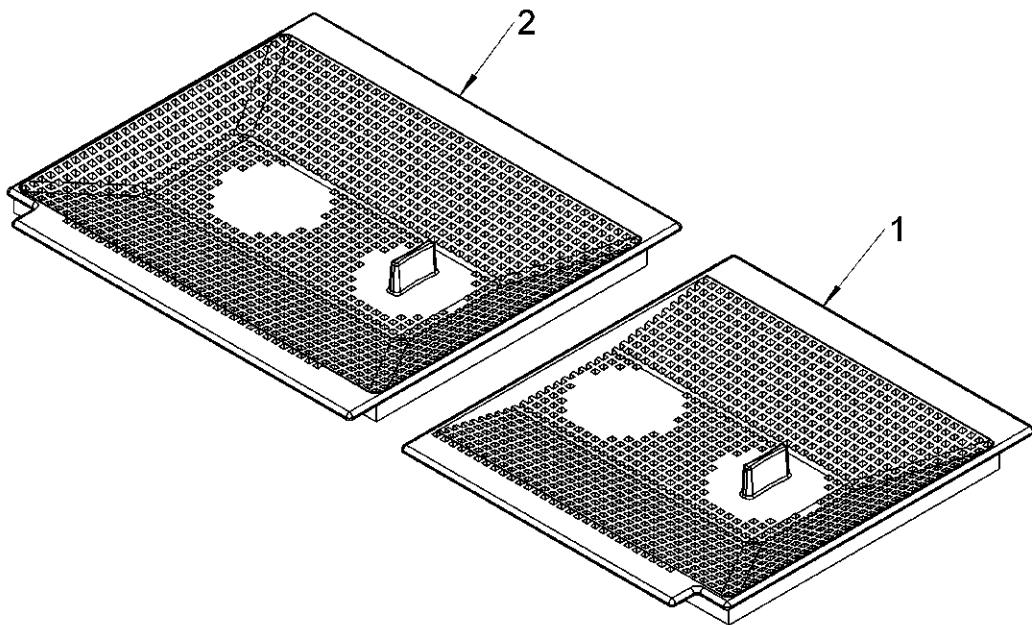


30012310-A

5. Filters – Gravity drain – BOM

Item	Description	Part number	QTY.	Note
1	Wash filter - 350mm	30006020	1	
2	Wash Filter - LH - 350mm - Gravity Drain	30006022	1	

6. Filters – Standard drain pump

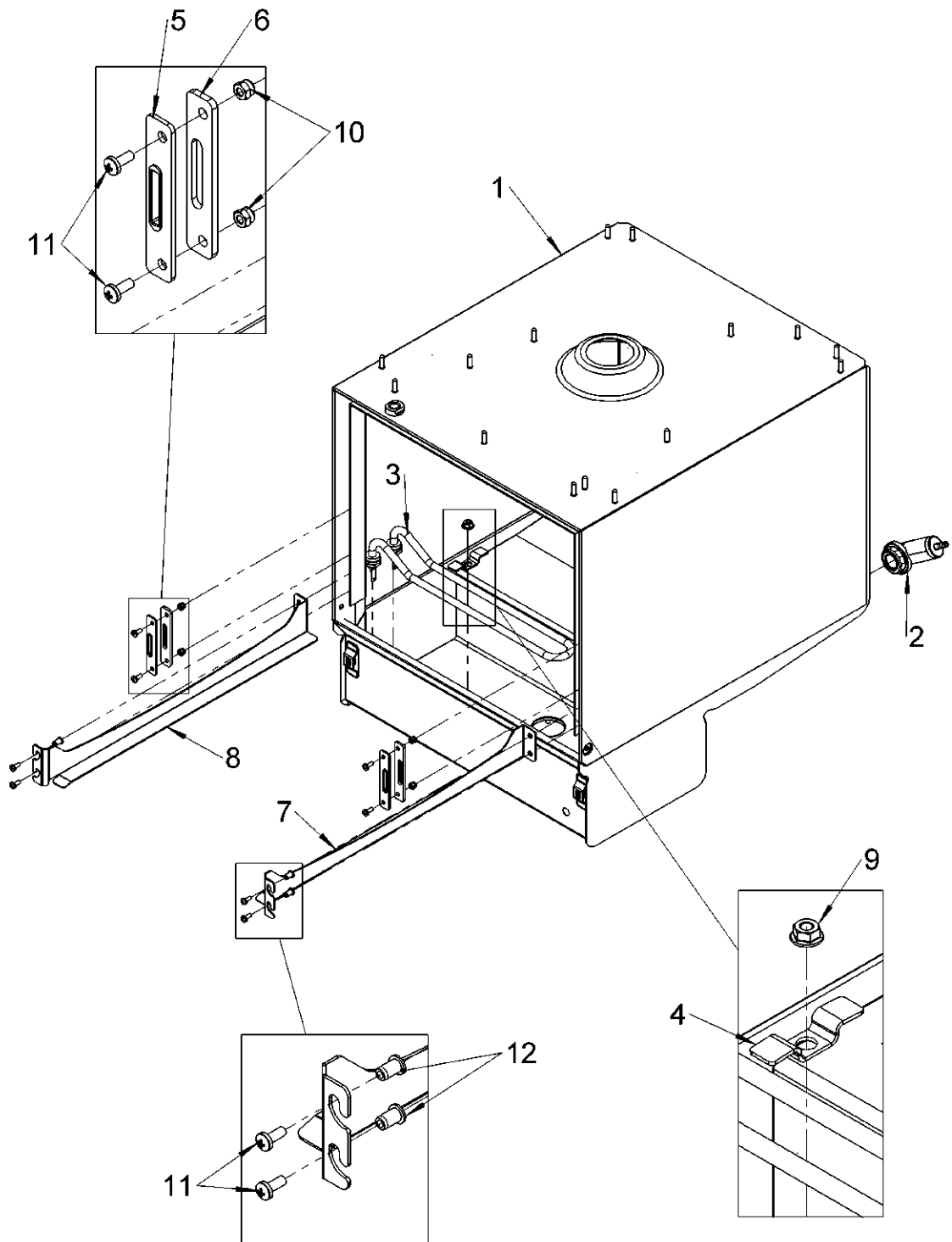


30012309-A

6. Filters – Standard drain pump – BOM

Item	Description	Part number	QTY.	Note
1	Wash filter - 350mm	30006020	1	
2	Wash filter - LH - Drain Pump - 350mm	30006021	1	

7. Cabinet internal assembly

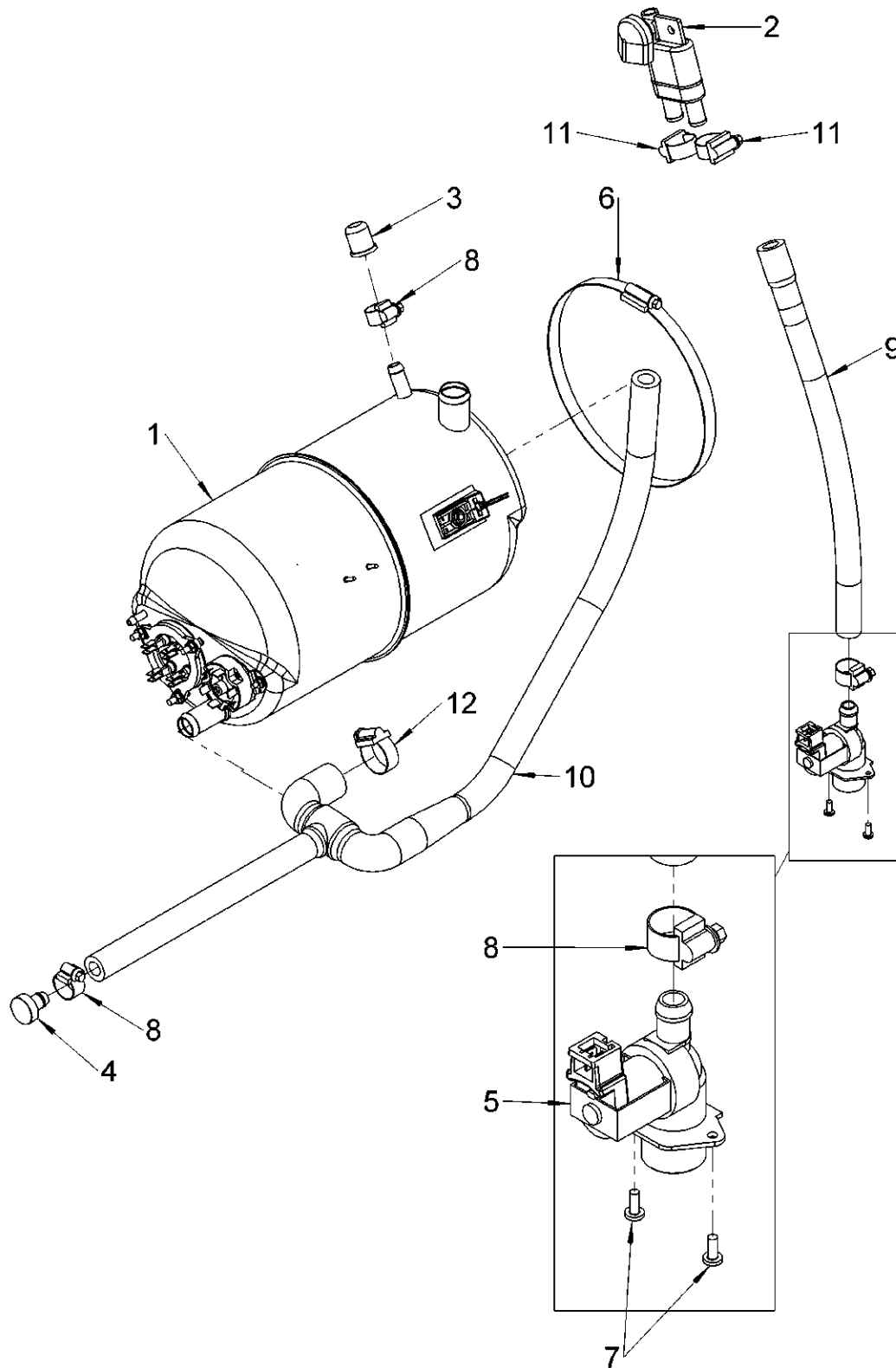


30012294-A

7. Cabinet internal assembly – BOM

Item	Description	Part number	QTY.	Note
1	350mm cabinet weld assembly		1	Not available as a spare
2	Air chamber assembly kit	60003525	1	
3	2kW Wash element	30000975	1	Includes 2x Washers & 2x M12 fine thread thin nut
4	Wash Element Retaining Bracket	30006126	1	
5	Door Inlay	30001061	2	
6	Plate - Door stop	30001062	2	
7	350mm Basket ramp RH	30006601	1	
8	350mm Basket ramp LH	30006602	1	
9	M6 Flange nut (DIN 6923)	30001848	1	
10	M4 Nylock nut (ISO 7040)	30001172	4	
11	M4 x 10mm Posi pan head screw	30006293	8	
12	Round nutserts	30001075	4	

8. Fill system

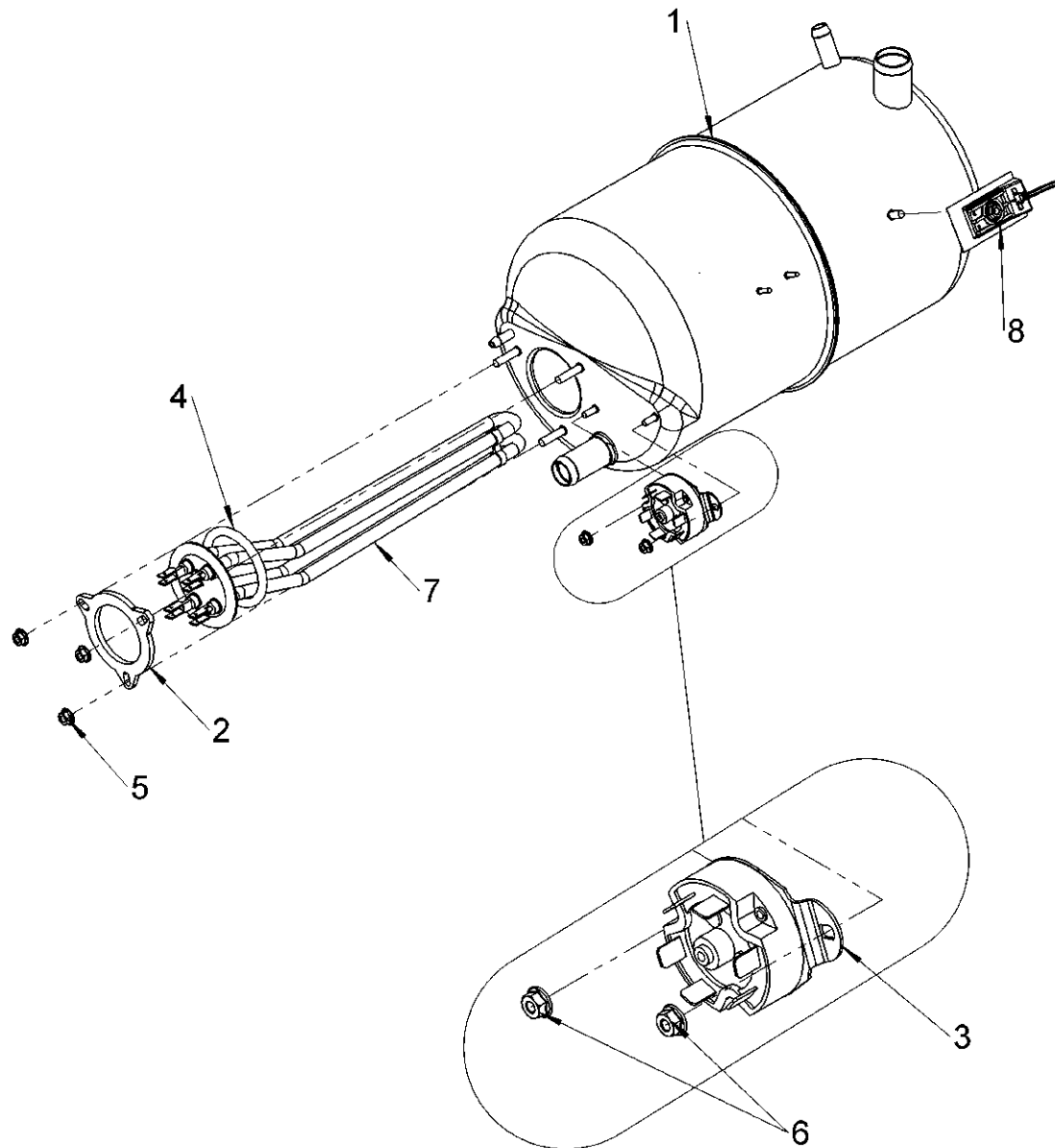


30012296-A

8. Fill system – BOM

Item	Description	Part number	QTY.	Note
1	Rinse boiler - 6.5L - 2.6kW	30011804	1	13A machines
2	Lateral check valve assembly	30003528	1	
3	End cap - 12 x 20 - rubber	30001117	1	
4	Stopper end cap	70007962	1	
5	Solenoid valve - 11L/min	30011638	1	
6	Jubilee clip - 160mm - 180mm	30001113	1	
7	M4 x 10mm Posi pan head screw	30006293	2	
8	Jubilee Clip - 12mm to 22mm	30001088	3	
9	Solenoid to lateral check valve hose - 400mm	30011735	1	
10	Lateral check valve to rinse boiler hose - 350mm	30011739	1	
11	Jubilee Clip - 16mm to 27mm	30001799	2	
12	Jubilee Clip - 20mm to 32mm	30001112	1	

9. Rinse tank assembly 2.6kW (30011804)

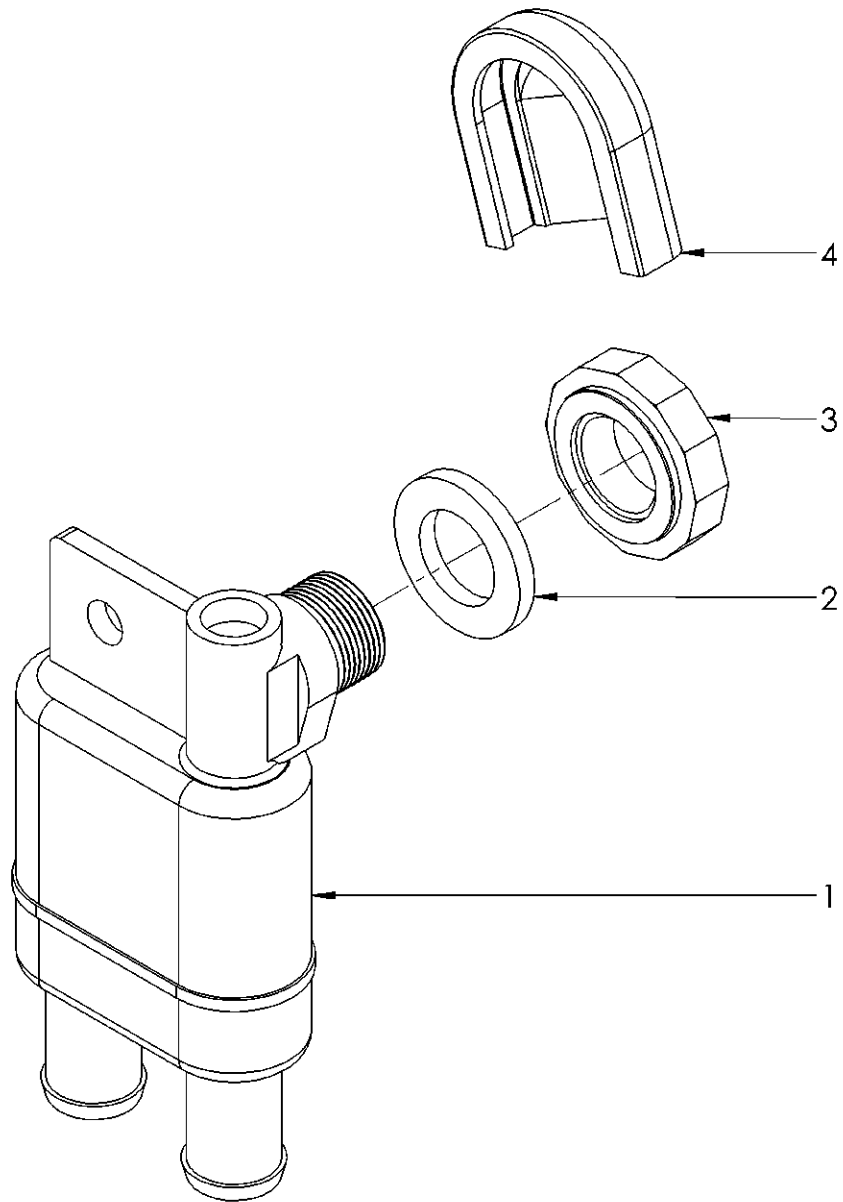


30011804-A

9. Rinse tank assembly 2.6kW – BOM

Item	Description	Part number	QTY.	Note
1	Rinse boiler - 6.5L	30011840	1	
2	Bracket - rinse element	0117003	1	
3	Manual reset thermal trip switch - 3 pole - 95°C	30006090	1	
4	O-Ring - Ø46 x Ø6	30000947	1	
5	M5 Flange nut (DIN 6923)	30001186	3	
6	M4 Flange nut (DIN 6923)	30006237	2	
7	2.6kW rinse element	30011828	1	
8	Thermal sensor kit	30002179	1	

10. Lateral check valve assembly (30003528)

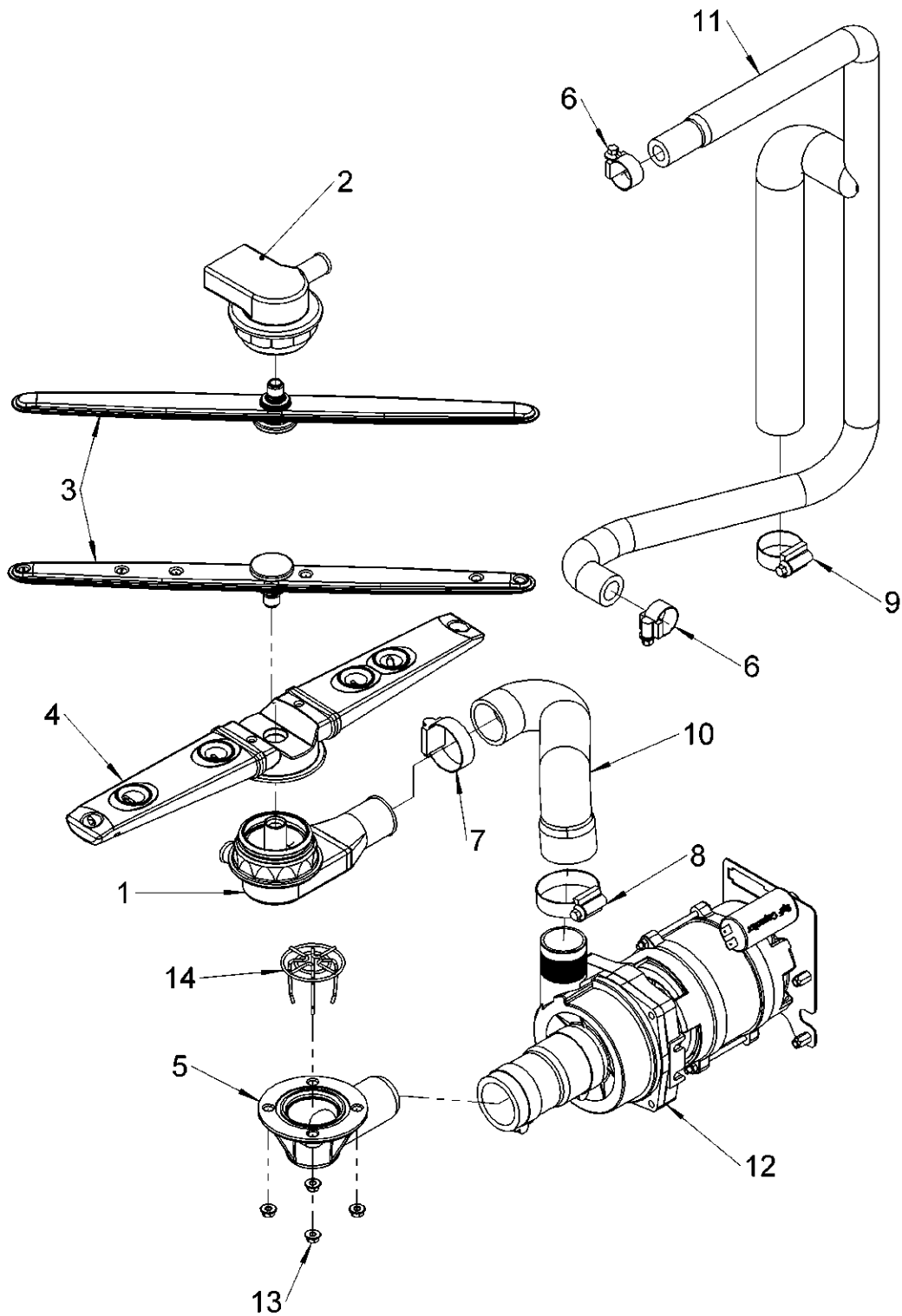


30003528-A

10. Lateral check valve assembly – BOM

Item	Description	Part number	QTY.	Note
1	Lateral check valve	3501194		
2	Lateral check valve seal	30001056		
3	Bihexagonal nut	61004451		
4	Cover	61004430		

11. Rinse and wash system

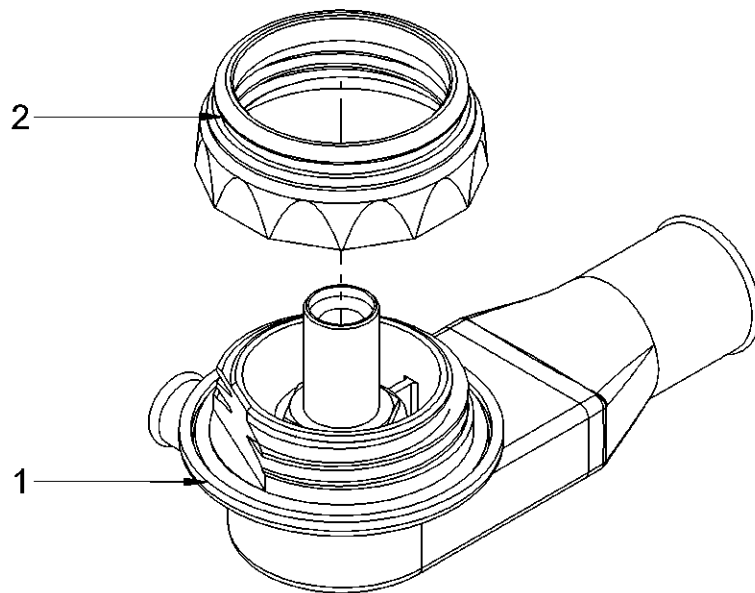


30012297-A

11. Rinse and wash system – BOM

Item	Description	Part number	QTY.	Note
1	Centre boss assembly	30003284	1	
2	Centre Boss Assembly Grey	30003223	1	
3	Rinse arm assembly	60005249	2	
4	Wash arm 400mm Kit	62003531	1	
5	Wash & Waste outlet manifold kit	30000625	1	
6	Jubilee Clip - 12mm to 22mm	30001088	2	
7	Jubilee Clip -25mm to 40mm	30001089	1	
8	Jubilee clip - 30mm to 45mm	30001115	1	
9	Jubilee Clip - 20mm to 32mm	30001112	1	
10	Wash pump outlet hose	30006068	1	
11	Rinse System hose - 350mm	30006066	1	
12	350mm wash pump assembly	30011813	1	
13	M5 Flange nut (DIN 6923)	30001186	4	
14	Secondary filter	30011849	1	

12. Centre boss assembly

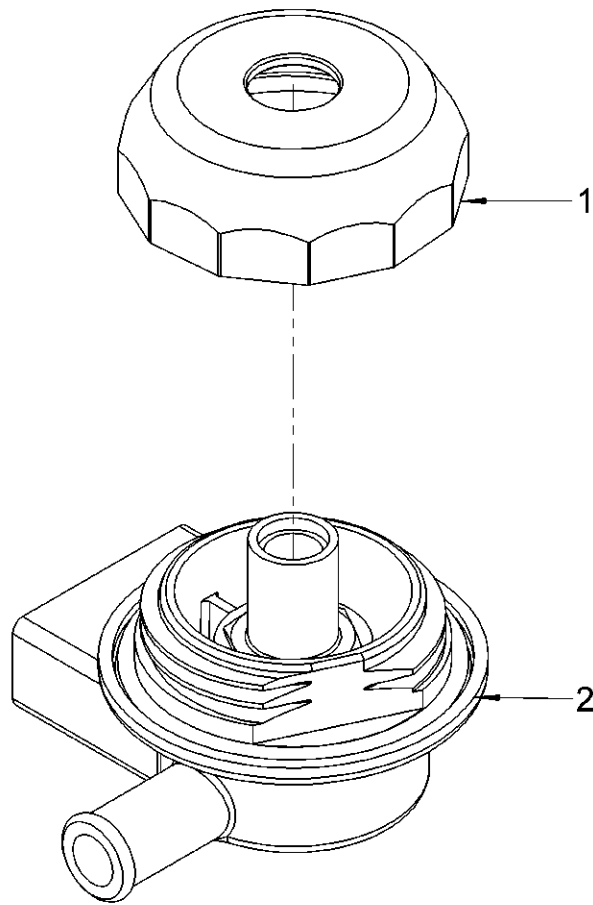


30003284-A

12. Centre boss assembly – BOM

Item	Description	Part number	QTY.	Note
1	Centre boss assembly	30012323	1	
2	Lock nut	60003005	1	

13. Top boss assembly (30003223)

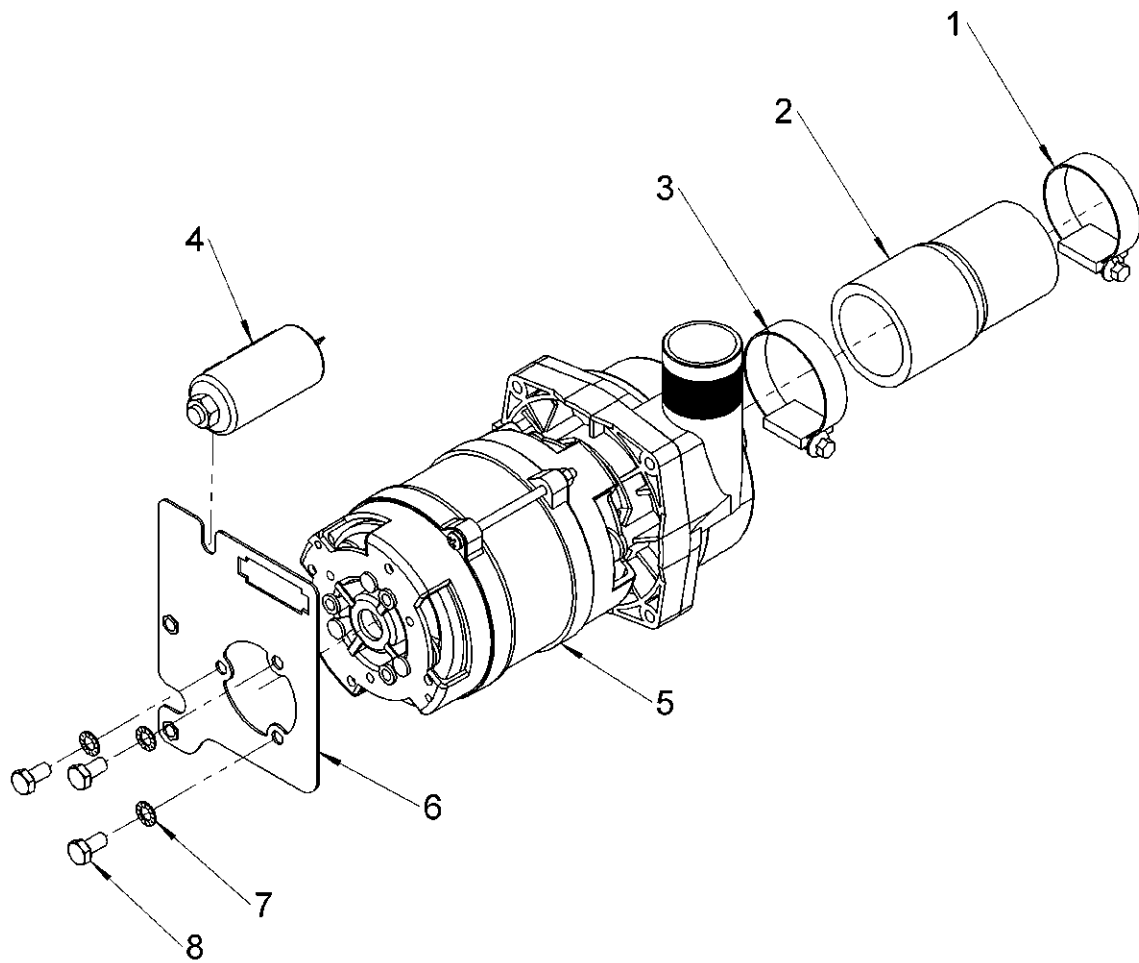


30003223-A

13. Top boss assembly – BOM

Item	Description	Part number	QTY.	Note
1	Locking Nut	62003024	1	
2	Grey Centre boss bottom assembly	30012324	1	

14. Wash pump assembly (30011813)

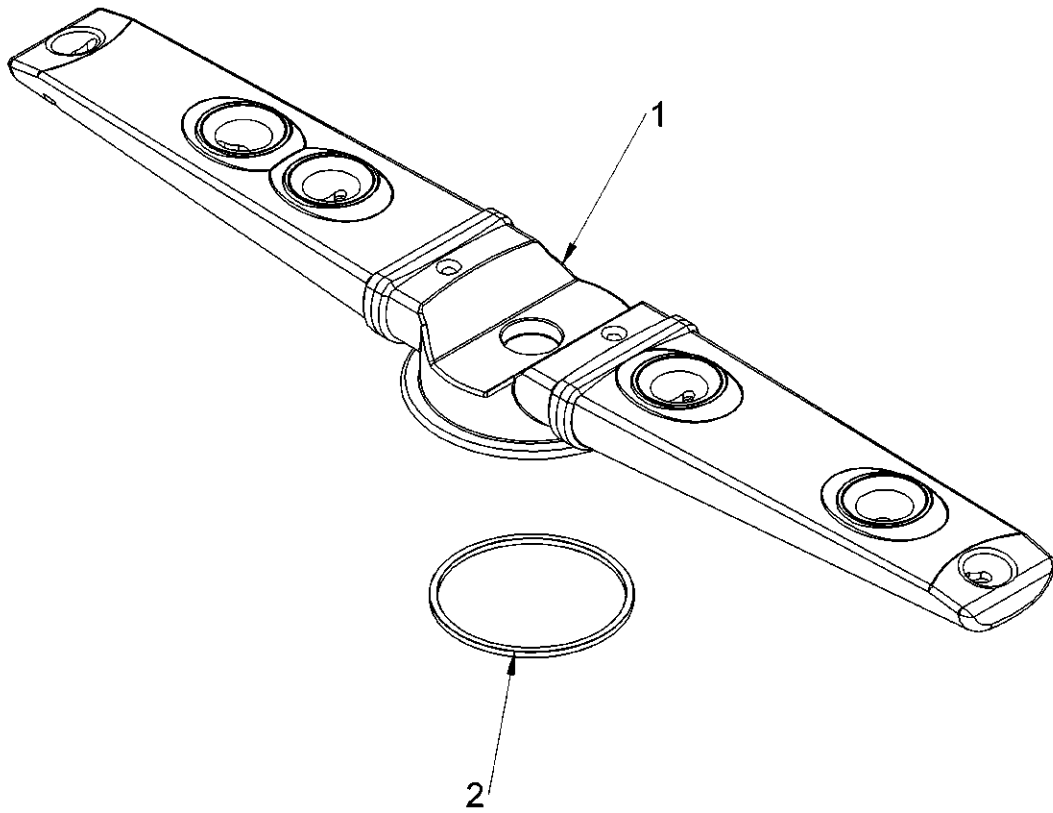


30011813-A

14. Wash pump assembly – BOM

Item	Description	Part number	QTY.	Note
1	Jubilee clip - 30mm to 45mm	30001115	1	
2	Wash pump inlet hose	30001125	1	
3	Jubilee clip - 32mm to 50mm	30001114	1	
4	5 μ F Capacitor	30011583	1	Includes washer & nut
5	0.25kW Wash pump	30011818	1	
6	350mm wash pump bracket	30011677	1	
7	M6 Serrated washer	30007939	3	
8	M6 x 12 hex head screw (ISO 4017)	30008585	3	

15. Wash arm 400mm Kit (62003531)

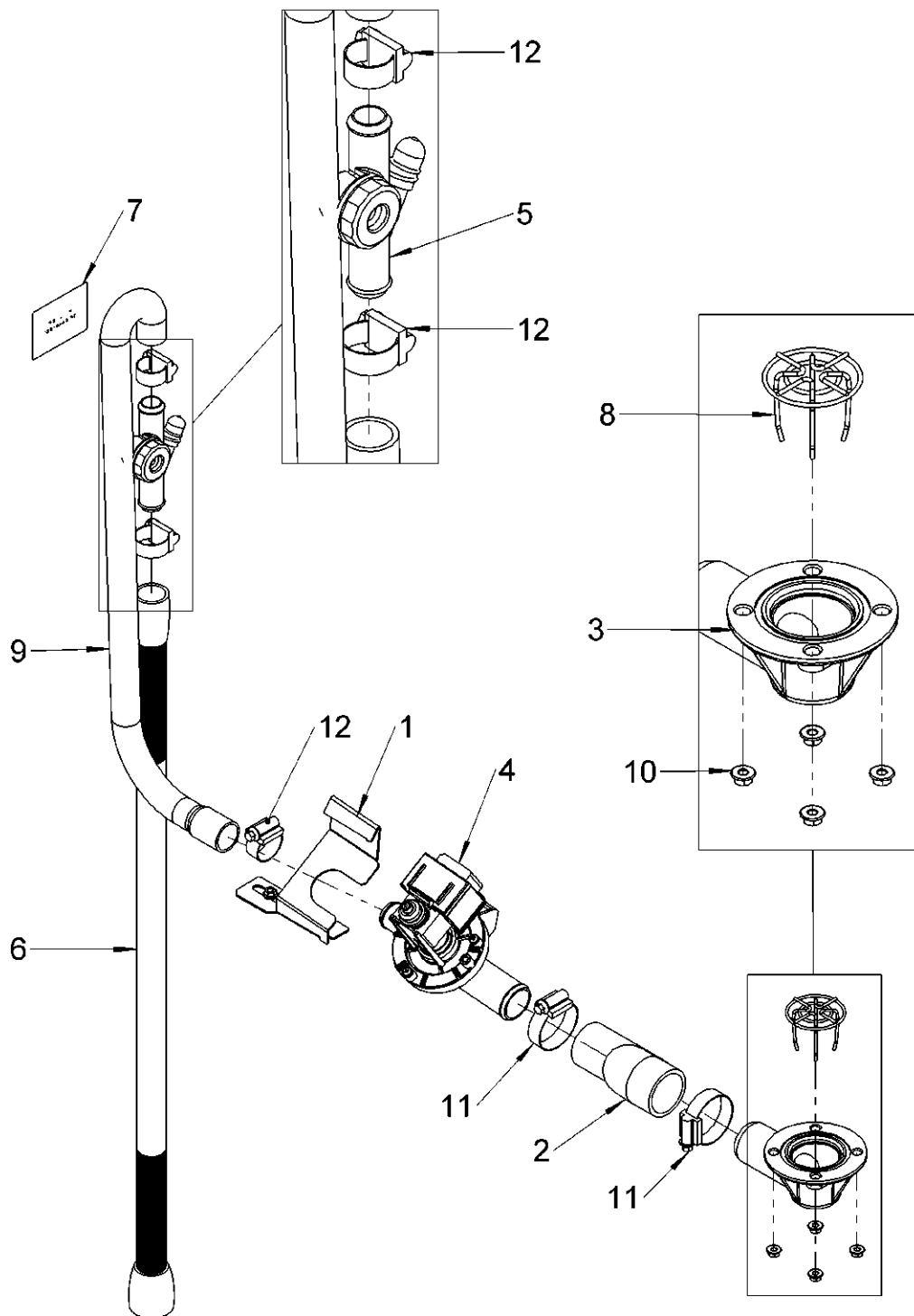


62003531-A

15. Wash arm 400mm Kit – BOM

Item	Description	Part number	QTY.	Note
1	400mm wash arm		1	Not available as a spare
2	Seal (turbo ring)	60003021	1	Only on Dishwasher

16. Drain pump assembly

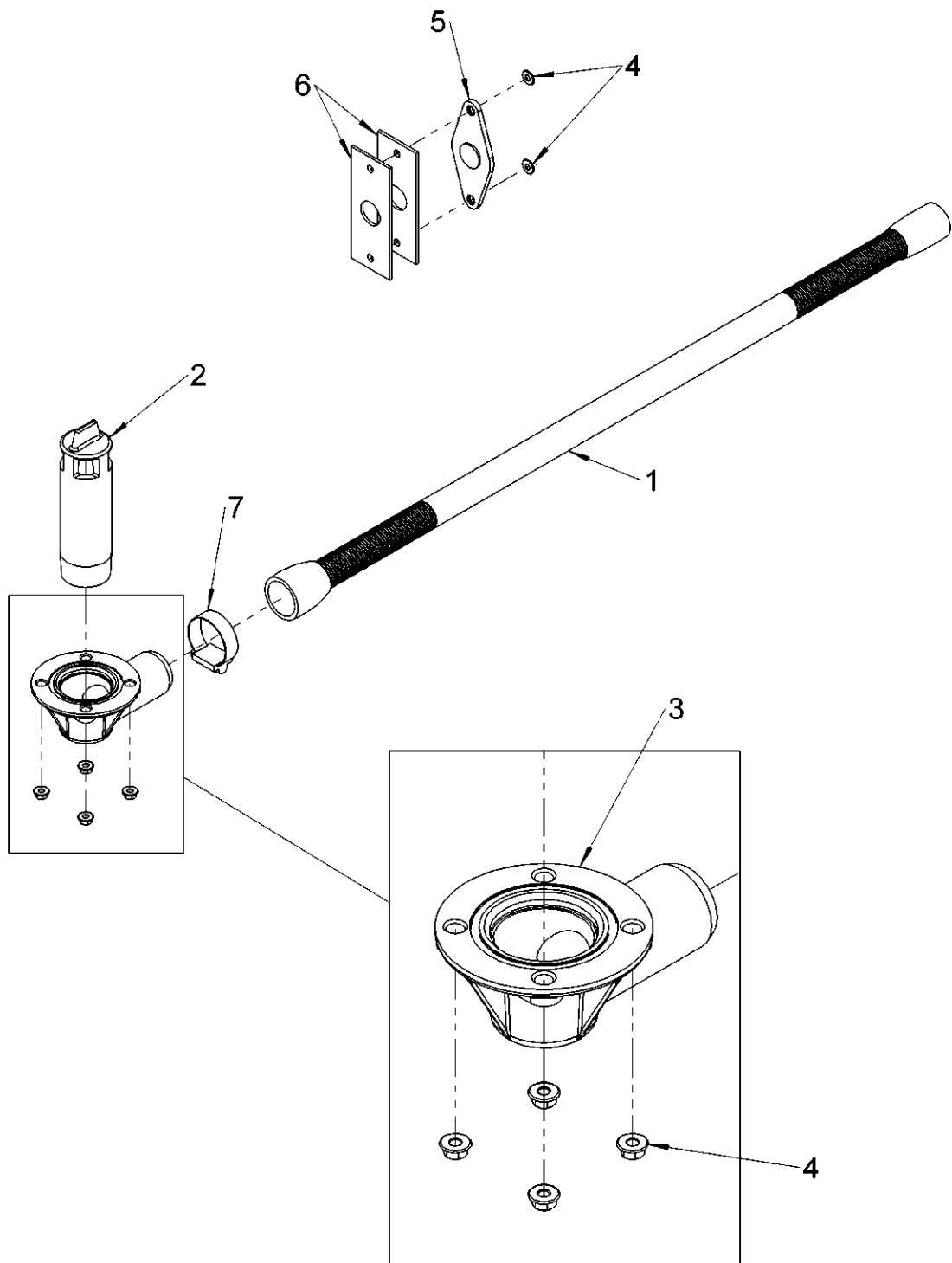


30012298-A

16. Drain pump assembly – BOM

Item	Description	Part number	QTY.	Note
1	Drain pump bracket new	30011624	1	
2	Drain pump inlet hose	30011743	1	
3	Wash & Waste outlet manifold kit	30000625	1	
4	Drain pump - Head 90° to flow	30011696	1	
5	Drain Air break kit	60003514	1	
6	Drain hose	30000986	1	
7	Drain height sticker	30012368	1	
8	Secondary filter	30011849	1	
9	Drain pump outlet hose - ECO 1	30006073	1	
10	M5 Flange nut (DIN 6923)	30001186	5	
11	Jubilee clip - 30mm to 45mm	30001115	2	
12	Jubilee Clip - 16mm to 27mm	30001799	3	

17. Gravity drain assembly

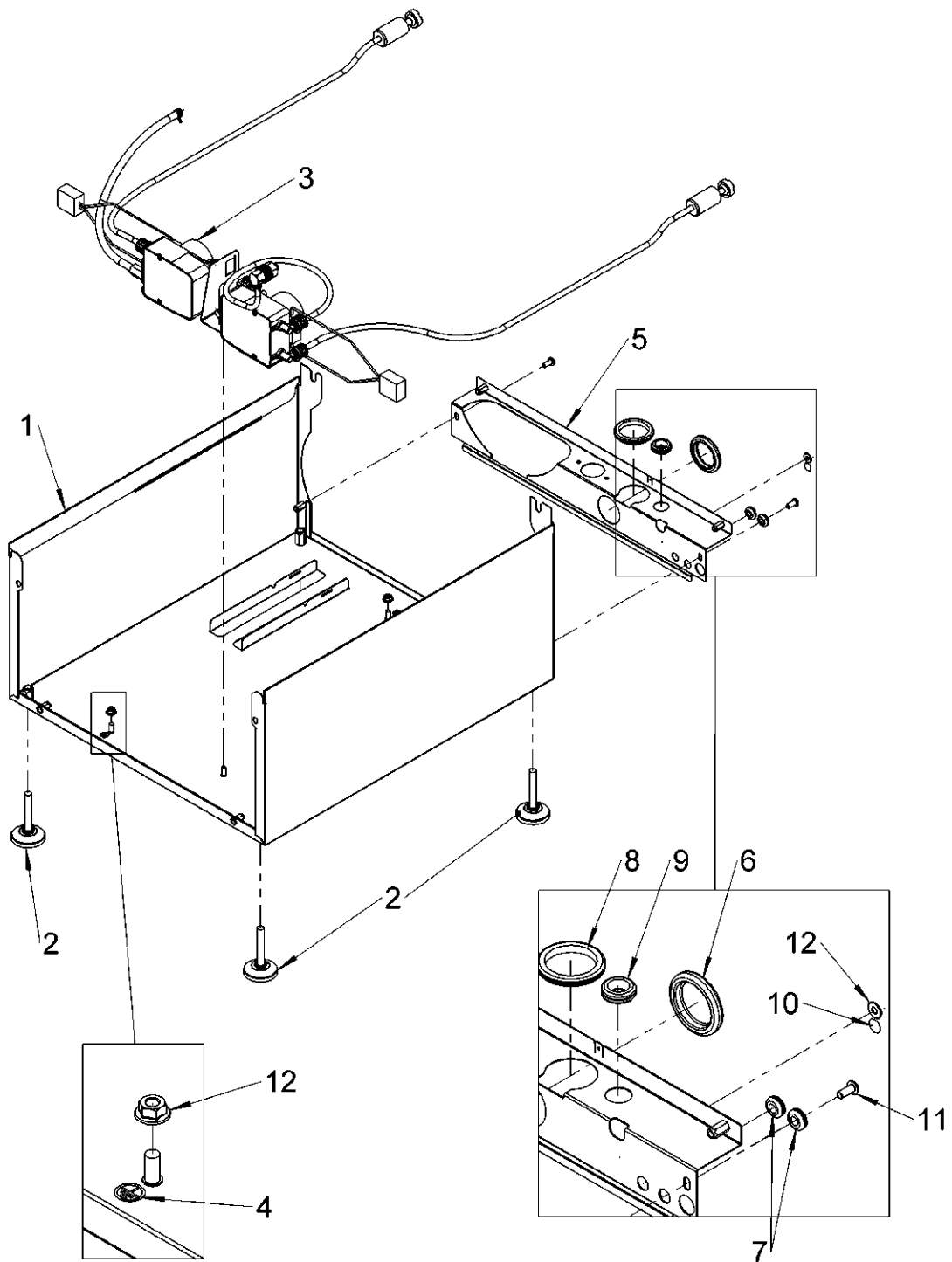


30012299-A

17. Gravity drain assembly – BOM

Item	Description	Part number	QTY.	Note
1	Drain hose	30000986	1	
2	Drain Plug - 350mm	30006023	1	
3	Wash & Waste outlet manifold kit	30000625	1	
4	M5 Flange nut (DIN 6923)	30001186	6	
5	Airbreak hole blanking cover	30001049	1	
6	Air break seal	30012588	2	
7	Jubilee clip - 30mm to 45mm	30001115	1	

18. Base assembly

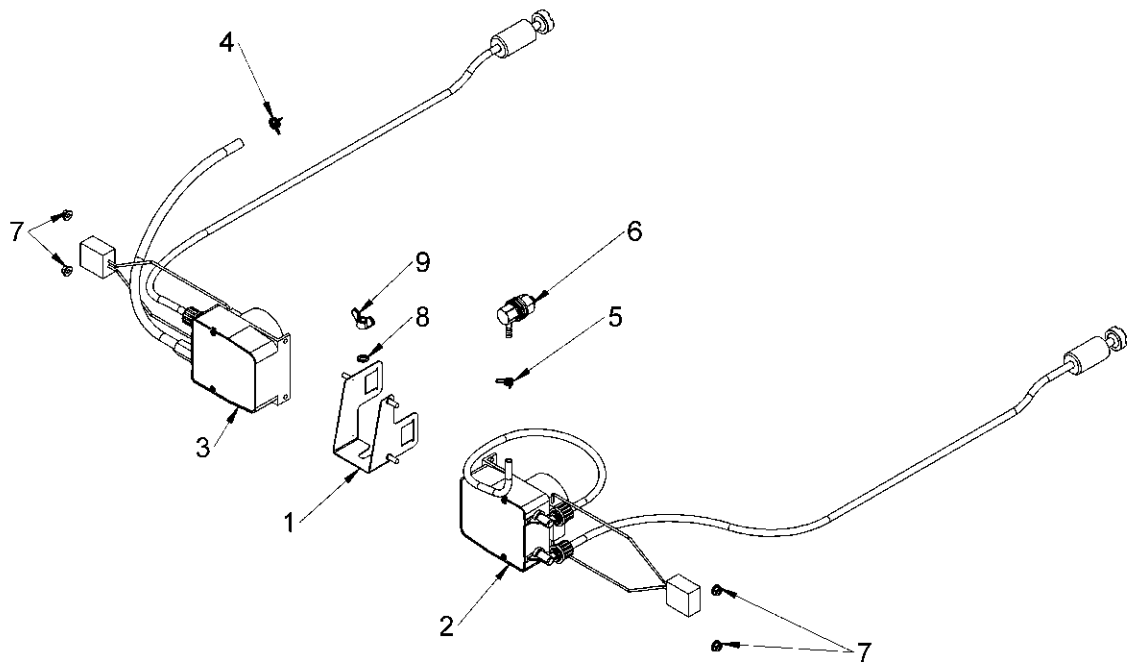


30012304-A

18. Base assembly – BOM

Item	Description	Part number	QTY.	Note
1	350mm Base assembly		1	Not available as a spare
2	Adjuster Foot	30001107	4	
3	Chemical pump assembly		1	
4	Earth sticker	30008786	3	
5	350mm rear base assembly	30011659	1	
6	Drain blanking grommet	30012167	1	
7	Chemical tube grommet	30002141	2	
8	Drain hose grommet	30011631	1	
9	Mains cable grommet	30011630	1	
10	Equipotential bonding sticker	30011891	1	
11	M5 x 12 Hex socket button head screw	30006300	2	
12	M5 Flange nut (DIN 6923)	30001186	3	

19. Chemical pump assembly

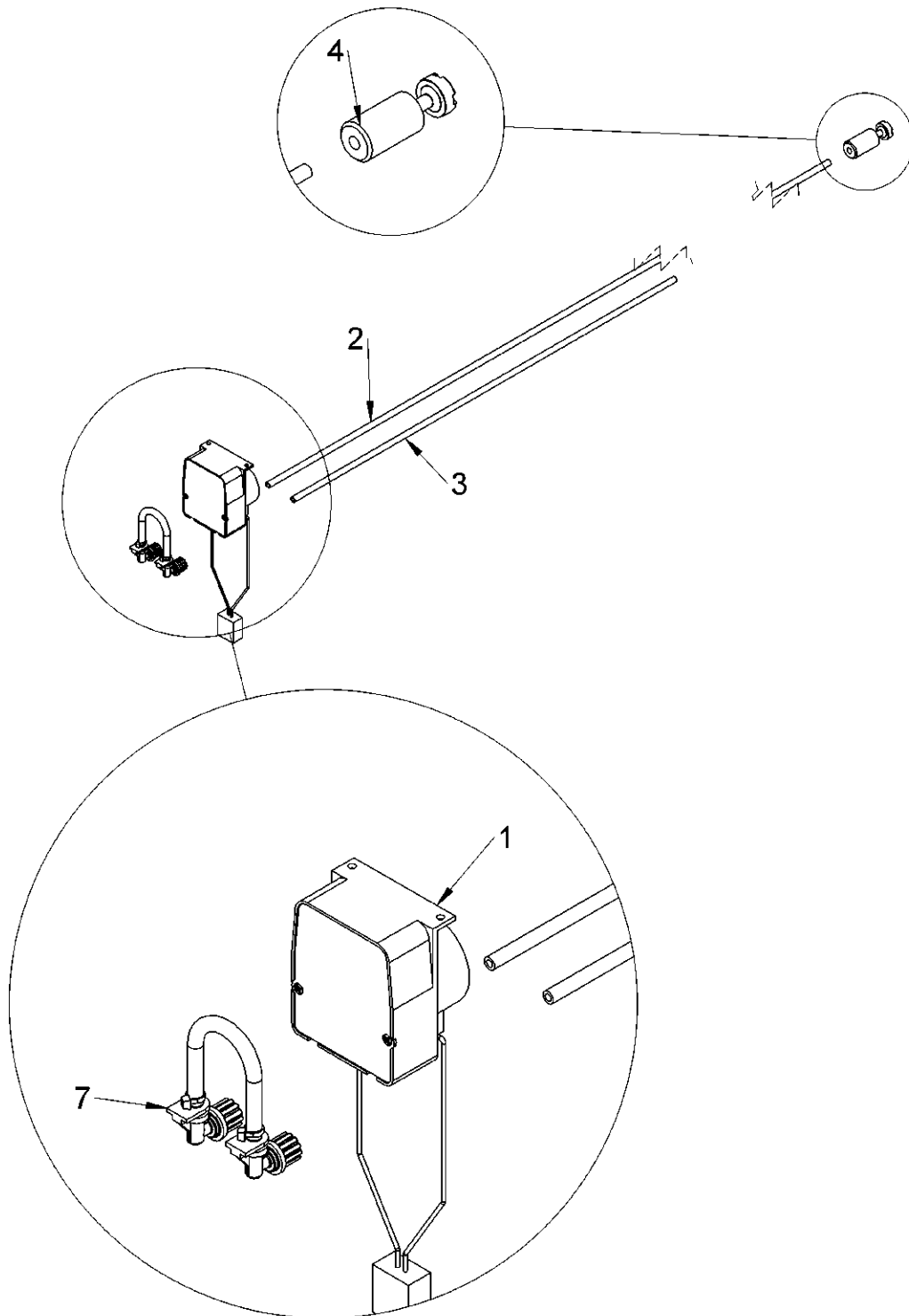


30012343-A

19. Chemical pump assembly – BOM

Item	Description	Part number	QTY.	Note
1	Chemical pump bracket assembly	30011626	1	
2	Detergent Pump Assembly	30011805	1	
3	Rinse aid pump assembly	30011806	1	
4	Spring clip - Ø8.8mm to Ø9.3mm	30011994	1	
5	Spring clip - Ø6.6mm to Ø7mm	30011995	1	
6	Detergent inlet fitting	30011822	1	
7	M4 Flange nut (DIN 6923)	30006237	4	
8	M5 Serrated washer	30001126	1	
9	M5 Wing Nut	30001132	1	

20. Detergent pump assembly (30011805)

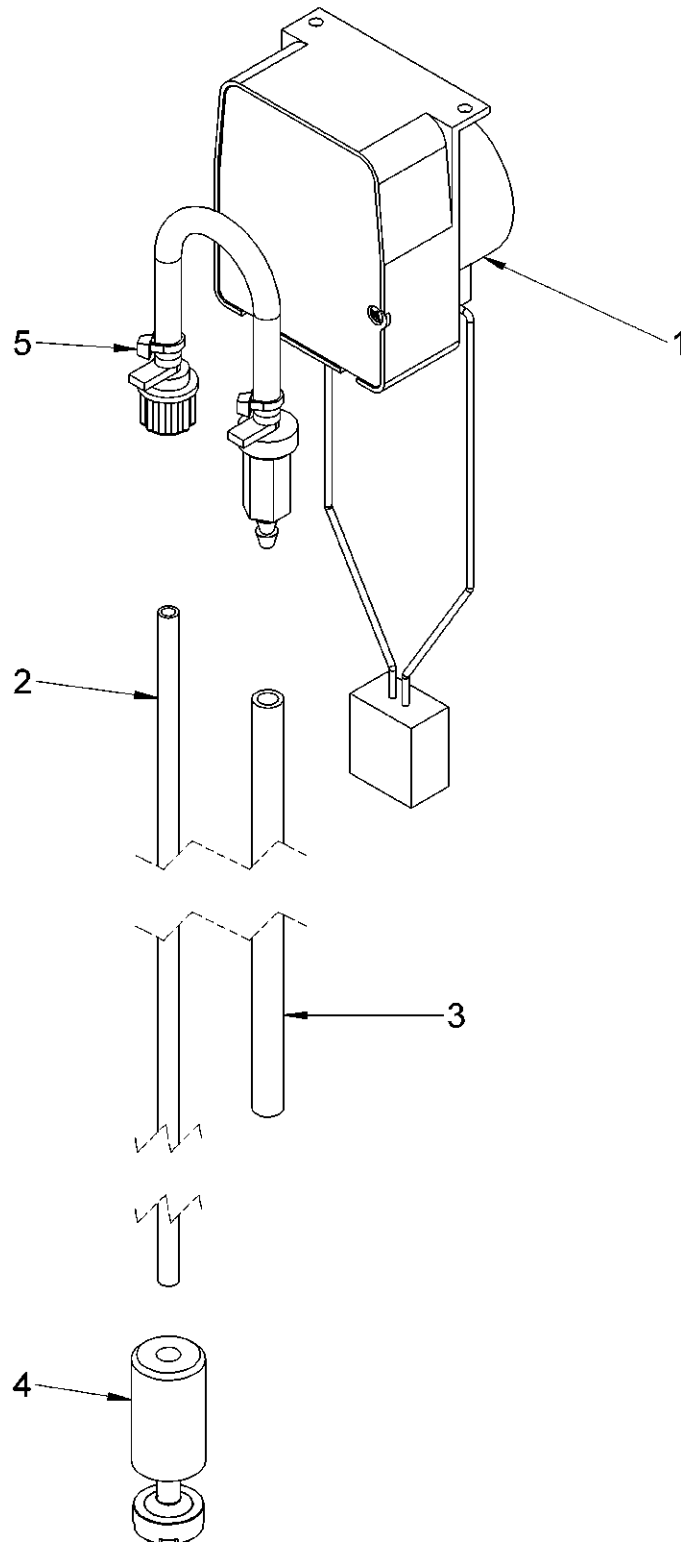


30011805-A

20. Detergent pump assembly – BOM

Item	Description	Part number	QTY.	Note
1	Detergent pump housing		1	Not available as a spare
2	Detergent inlet tube	30012405	1	Clear Tube
3	Detergent outlet tube	30012406	1	
4	Bottle weight kit	30012370	1	
5	Detergent peristaltic tube assembly	30012407	1	

21. Rinse aid pump assembly (30011806)

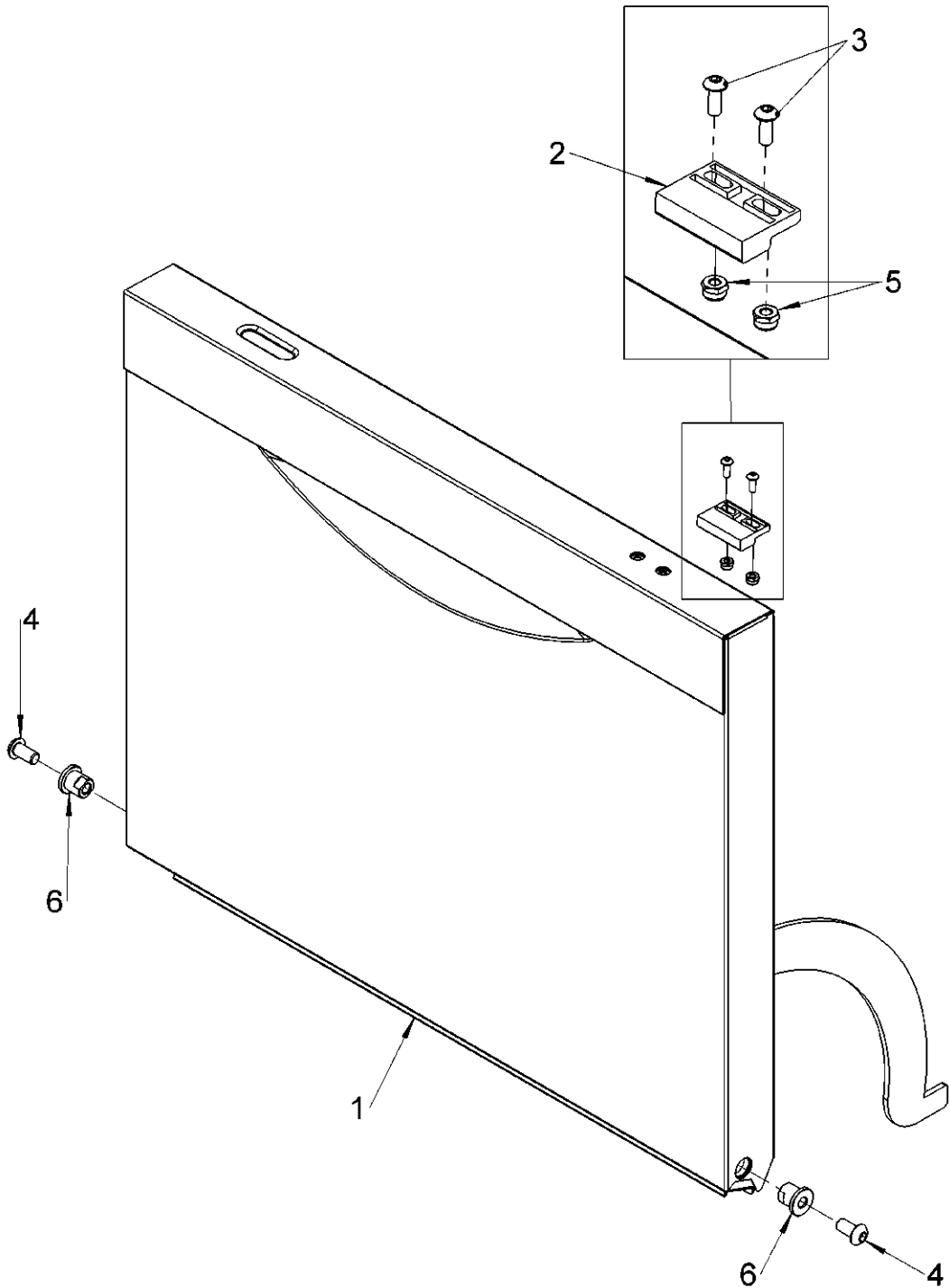


30011806-A

21. Rinse aid pump assembly – BOM

Item	Description	Part number	QTY.	Note
1	Rinse aid pump housing		1	Not available as a spare
2	Rinse aid inlet tube	30012413	1	Blue Tube
3	Rinse aid outlet tube	30012414	1	
4	Bottle weight kit	30012370	1	
5	Rinse aid peristaltic tube assembly	30012415	1	

22. Door assembly

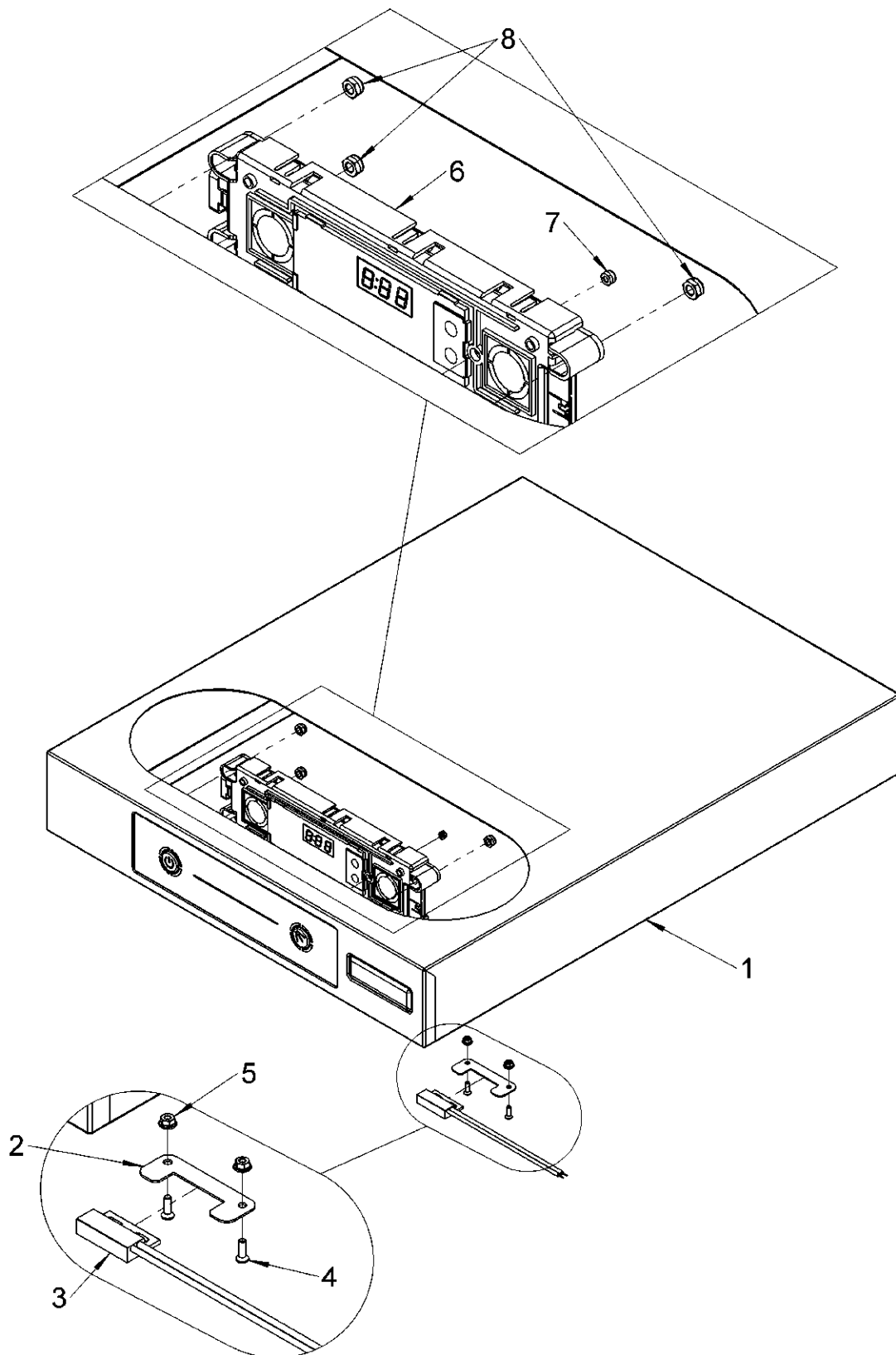


30012305-A

22. Door assembly – BOM

Item	Description	Part number	QTY.	Note
1	Door assembly - 350mm	30011672	1	
2	Door magnet	30000981	1	
3	M3 x 8 Hex socket button head screw	30001059	2	
4	M6 x 12 Hex socket button head screw	30001063	2	
5	M3 Thin Nylock nut (ISO 10511)	30001051	2	
6	Door pivot pin	30001050	2	

23. Top panel assembly LED



30012303-A

23. Top panel assembly LED – BOM

Item	Description	Part number	QTY.	Note
1	350mm LED top panel assembly	30012302	1	
2	Door switch bracket	30011690	1	
3	Crimped proximity switch assembly	30000980	1	
4	M3 x 10 CSK hex socket head screw	30011975	2	
5	M3 Flange nut (DIN 6923)	30001171	2	
6	LED UI assembly	30011791	1	
7	M3 Thin Nylock nut (ISO 10511)	30001051	1	
8	M5 Thin Nylock nut (ISO 10511)	30006274	3	

24. Accessories

Item	Description	Part number	QTY.	Note
1	350mm Plastic basket - cup/glass	30001164	2	
2	Water supply hose	30001162	1	

25. Mains cables

Item	Description	Part number	QTY.	Note
1	13A mains cable kit	30003306	1	
2	3 phase mains cable kit	30003308	1	
3	30A mains cable kit	30012385	1	
4	20A mains cable kit	30003307	1	

Document number: 30012453
Revision: A
Date: 23/12/2016
Language: English