



CLASSEQ LTD

# Spares manual

---

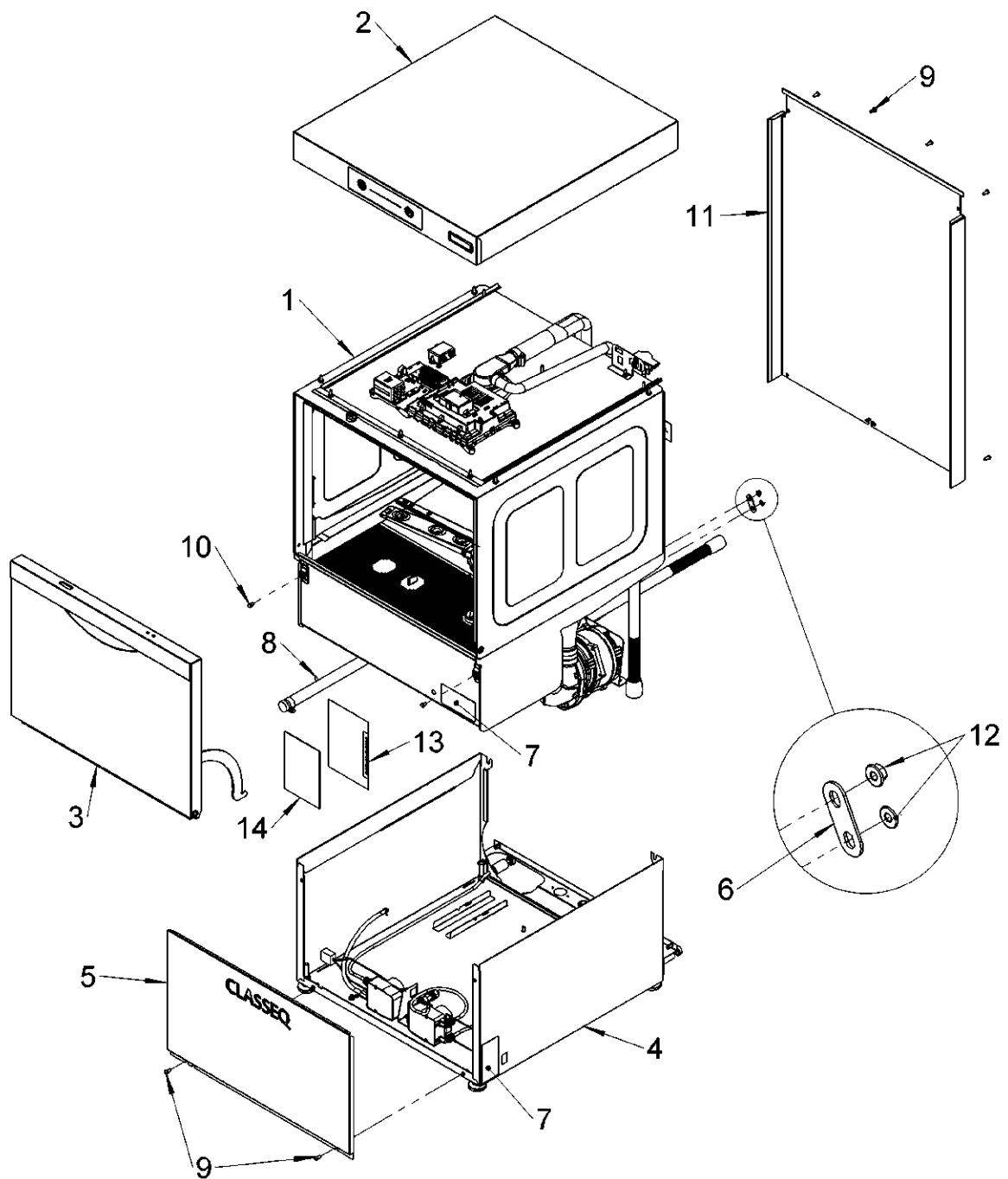
**G500**



## Table of contents for G500

1.	Machine assembly.....	3
2.	Cabinet assembly .....	5
3.	Cabinet external assembly.....	7
4.	Control unit assembly .....	9
5.	Filters – Gravity drain.....	11
6.	Filters – Standard drain pump .....	13
7.	Cabinet internal assembly.....	15
8.	Fill system.....	17
9.	Rinse tank assembly.....	19
10.	Lateral check valve assembly (30003528).....	21
11.	Rinse and wash system .....	23
12.	Centre boss assembly .....	25
13.	Wash pump assembly (30011810).....	27
14.	500mm Wash arm kit (600003520) .....	29
15.	Drain pump assembly .....	31
16.	Gravity drain assembly.....	33
17.	Base assembly .....	35
18.	Chemical pump assembly .....	37
19.	Detergent pump assembly (30011805) .....	39
20.	Rinse aid pump assembly (30011806) .....	41
21.	Door assembly.....	43
22.	Top panel assembly LED.....	45
23.	Accessories.....	47
24.	Mains cables.....	47

# 1. Machine assembly

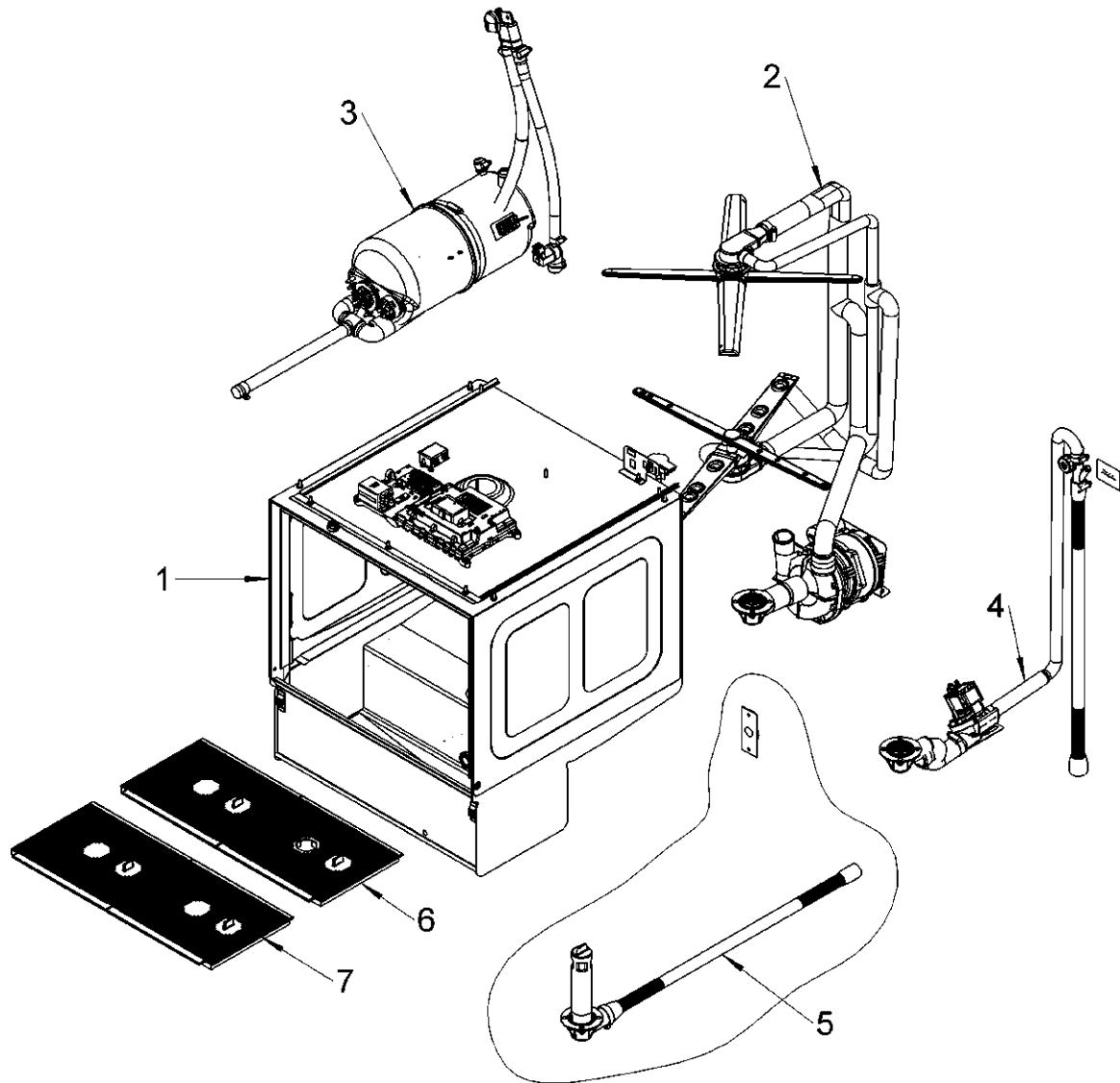


30012320-A

## 1. Machine assembly – BOM

Item	Description	Part number	QTY.	Note
1	500mm LED Glass wash cabinet assembly		1	
2	500mm SS LED top panel assembly	30012339	1	
3	500mm door assembly	30012338	1	
4	500mm base assembly		1	
5	500mm Bottom front panel	30011397	1	
6	Bracket - cabinet to base	30001833	2	
7	Rating plate		2	
8	Earth sticker	30008786	1	
9	M5 x 12 Hex socket button head screw	30006300	8	
10	M5 x 8 hex head screw (ISO 4017)	30001124	2	
11	500mm Basic rear panel assembly	30003326	1	
12	M5 Flange nut (DIN 6923)	30001186	4	
13	Document enclose envelope		1	
14	Wiring diagram - UC_13A_30A_3P_LED	30012026	1	Available for download
15	500mm Glasswasher accessories	30012366	1	Not shown
16	Mains cables		1	Not shown

## 2. Cabinet assembly



30012319-A

## 2. Cabinet assembly – BOM

Item	Description	Part number	QTY.	Note
1	500mm basic wash cabinet - External assembly		1	
2	500mm pressurised wash and rinse system		1	
3	500mm Pressurised fill system		1	
4	500mm standard drain pump system	30012337	1	
5	500mm gravity drain assembly	30012440	1	
6	500mm Primary filter kit - Gravity drain	30012381	1	For gravity drain machines only
7	500mm Primary filter kit - Pumped drain - Standard	30012364	1	For pump drain machines only

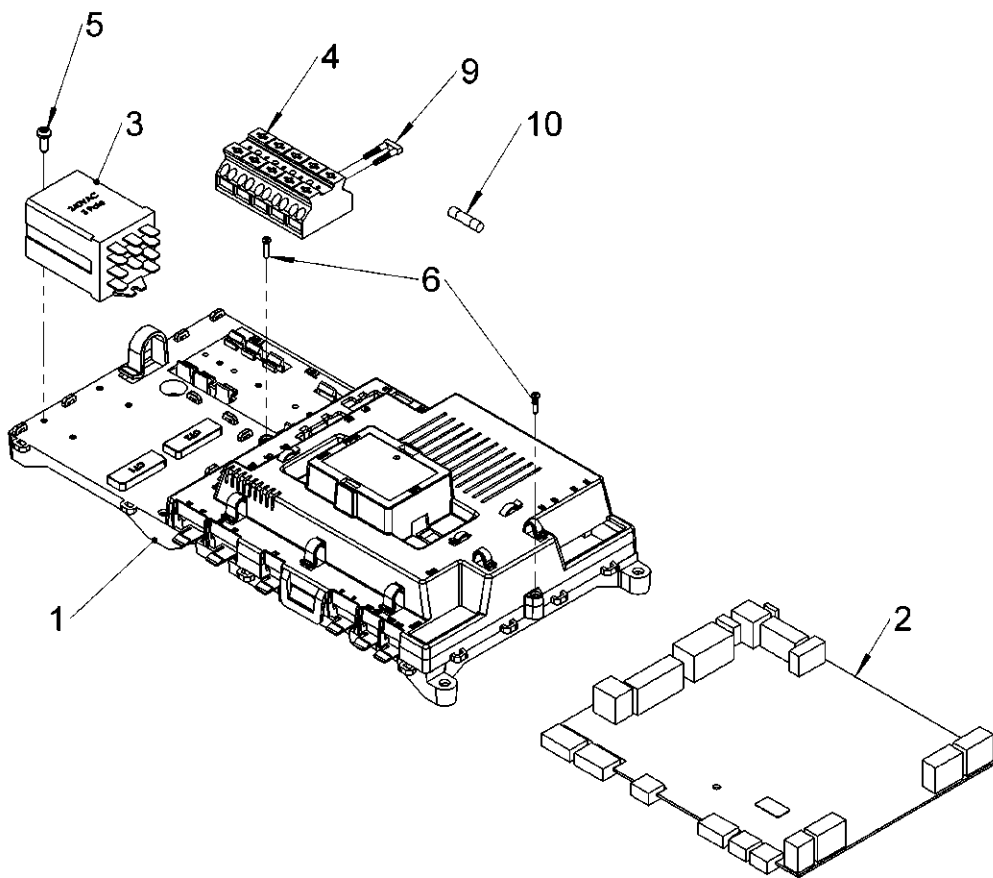




### 3. Cabinet external assembly – BOM

Item	Description	Part number	QTY.	Note
1	500mm Standard wash cabinet - internal assembly		1	
2	Control unit assembly - 500mm 6kW Premium		1	
3	Thermal sensor kit	30002179	1	
4	Foam seal	30011418	2	
5	UC Mains filter	30012203	1	
6	Air pressure sensor bracket	30011625	1	
7	500mm front water ingress plate	30011649	1	
8	Side water management seal - 500mm	30012006	2	
9	M5 Press nut	30011807	4	
10	Ball catch - M12	30001064	1	
11	M12 Thin nut	30001070	1	
12	Overheat stat 1 Pole 85°C	30007917	1	
13	M5 Flange nut (DIN 6923)	30001186	8	
14	M3 Flange nut (DIN 6923)	30001171	2	
15	Pressure sensor	3126044	1	
16	Wash APS tube - 500mm	30011886	1	
17	Spring Clip - Ø7.8mm to Ø8.3mm	30001083	2	
18	Earth sticker	30008786	1	

## 4. Control unit assembly

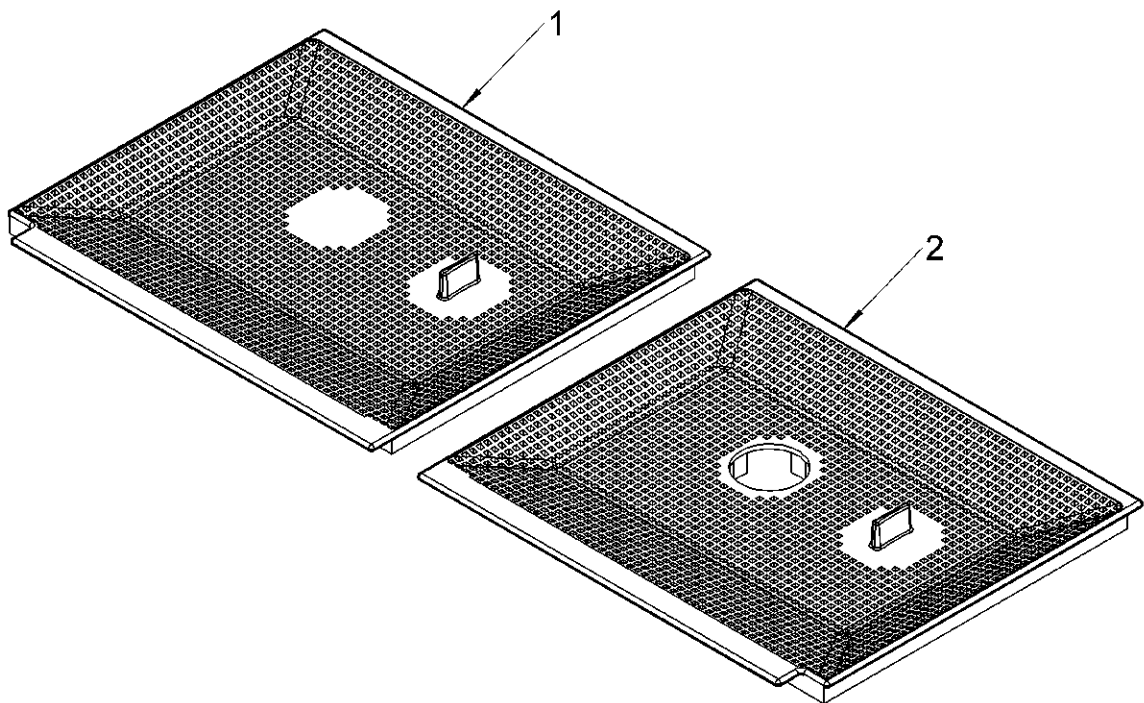


30012345-A

#### 4. Control unit assembly – BOM

Item	Description	Part number	QTY.	Note
1	Control board enclosure assembly	30012023	1	
2	ZSE mini full assembly	30012356	1	
3	3 Pole Change Over relay	30000984	1	
4	Terminal Block - 5 Pole - Grip Type	30001146	1	30A and 3 phase machines
5	3.5x10mm posi pan head PT screw	30011825	1	
6	2.5x10mm PT screw	30011824	2	
7	Wiring harness - 500mm 13A/30A/3P	30011845	1	30A and 3 phase machines
8	Wiring harness - 350/400/500 UI/Door	30011863	1	Not shown
9	WAGO 5 pole jumping bar	30008142	1	Refer wiring diagram for quantity
10	4 Amp Fine Fuse ZSE	3111123	1	

## 5. Filters – Gravity drain

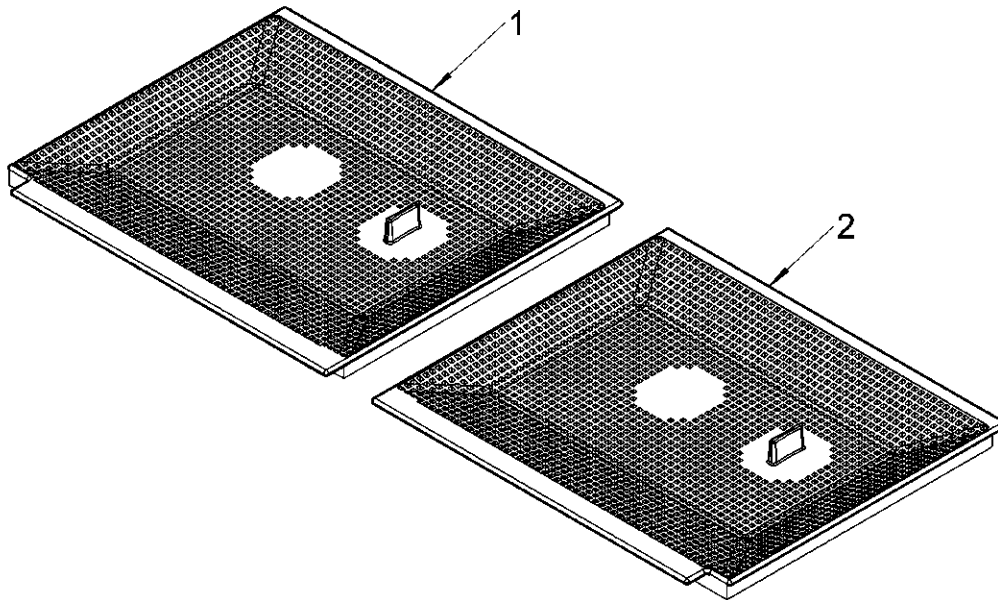


30012381-A

## 5. Filters – Gravity drain – BOM

Item	Description	Part number	QTY.	Note
1	Wash Filter LH - 500mm	30000946	1	
2	Wash filter RH - 500mm - GD	30000944	1	

## 6. Filters – Standard drain pump

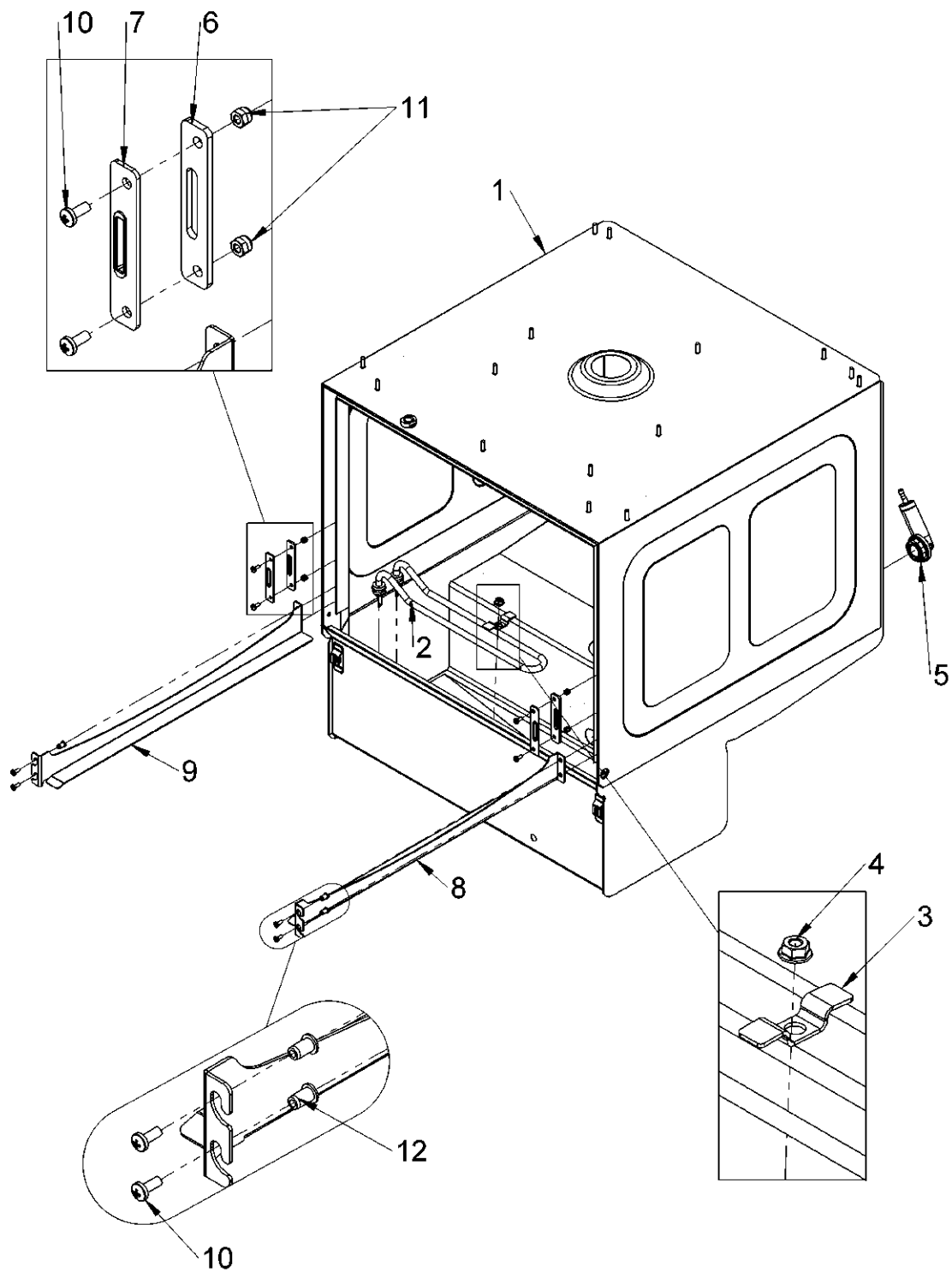


30012364-A

## 6. Filters – Standard drain pump – BOM

Item	Description	Part number	QTY.	Note
1	Wash Filter LH - 500mm	30000946	1	
2	Wash filter RH - 500mm - Drain Pump	30000945	1	

## 7. Cabinet internal assembly



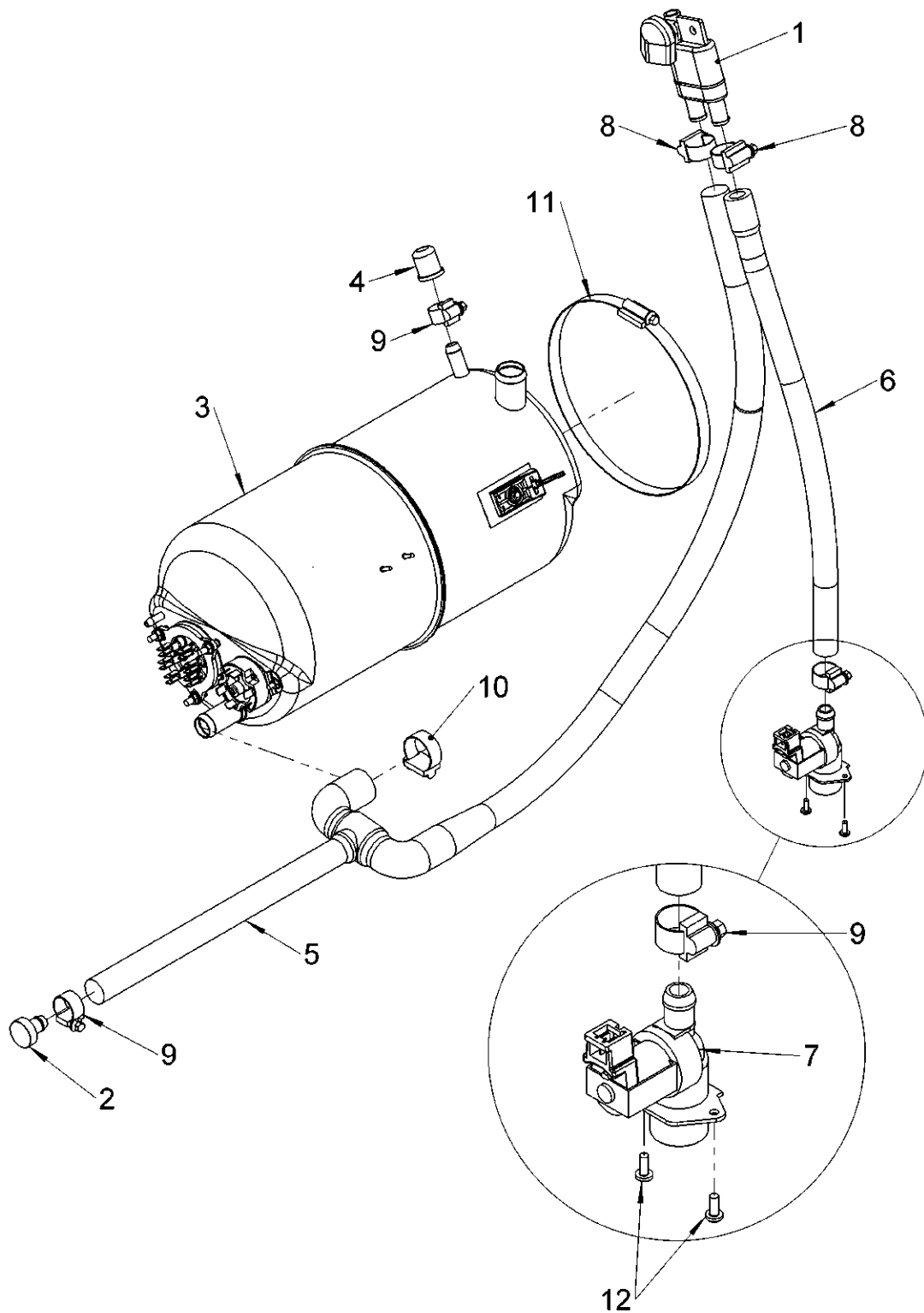
30012332-A



## 7. Cabinet internal assembly – BOM

Item	Description	Part number	QTY.	Note
1	500mm Std. Cabinet assembly		1	Not available as a spare
2	2kW Wash element	30000975	1	Includes 2x Washers & 2x M12 fine thread thin nut
3	Wash Element Retaining Bracket	30006126	1	
4	M6 Flange nut (DIN 6923)	30001848	1	
5	Air chamber assembly kit	60003525	1	
6	Plate - Door stop	30001062	2	
7	Door Inlay	30001061	2	
8	500 RH Basket ramp	60005321	1	
9	500 LH Basket ramp	60005322	1	
10	M4 x 10mm Posi pan head screw	30006293	8	
11	M4 Nylock nut (ISO 7040)	30001172	4	
12	Round nutserts	30001075	4	

## 8. Fill system

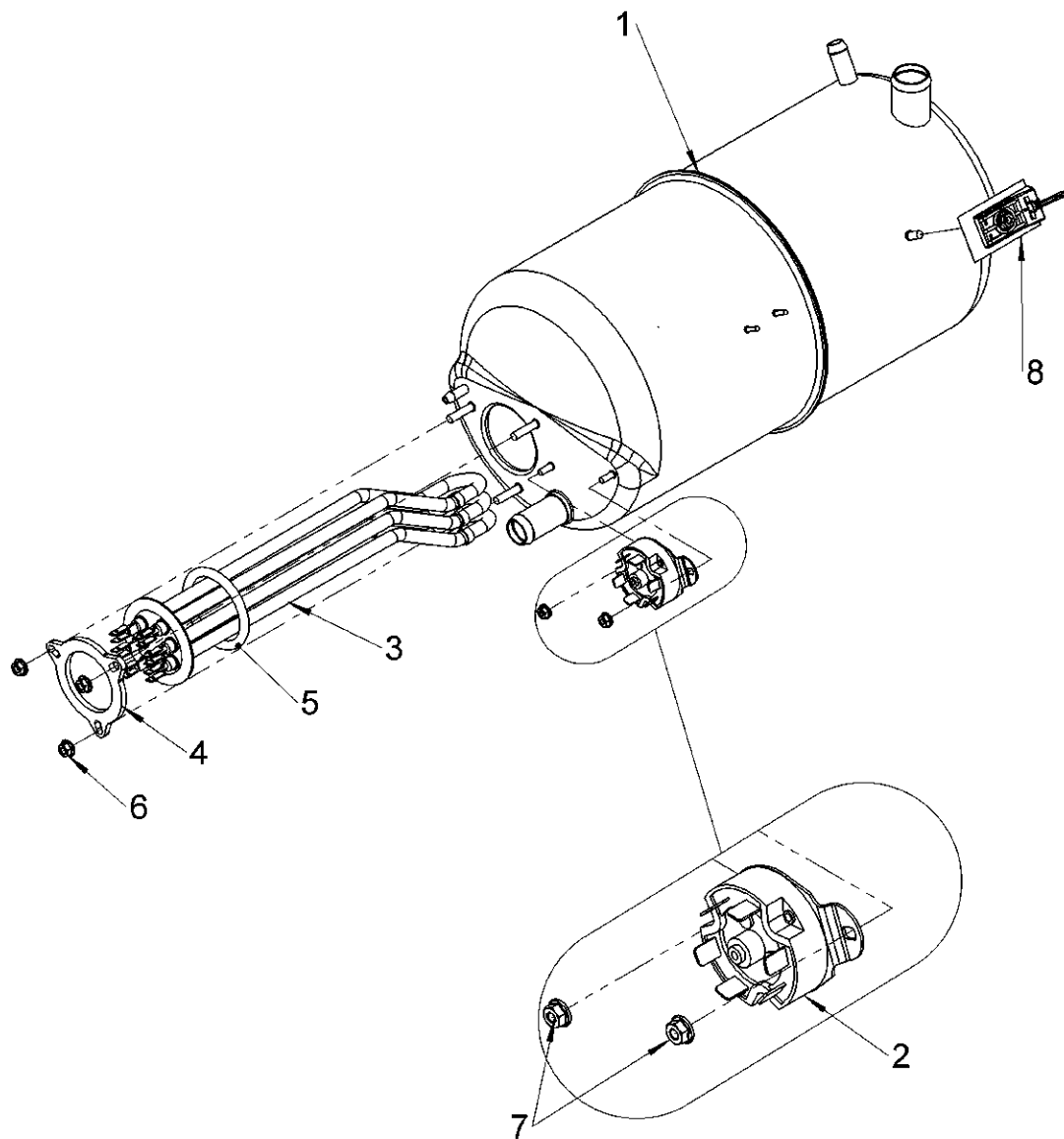


30012335-A

## 8. Fill system – BOM

Item	Description	Part number	QTY.	Note
1	Lateral check valve assembly	30003528	1	
2	Stopper end cap	70007962	1	
3	Rinse boiler assembly - 7.5L - 6kW	30011798	1	
4	End cap - 12 x 20 - rubber	30001117	1	
5	Lateral check valve to rinse boiler hose - 500mm	30011737	1	
6	Solenoid to lateral check valve hose - 500mm	30011734	1	
7	Solenoid valve - 11L/min	30011638	1	
8	Jubilee Clip - 16mm to 27mm	30001799	2	
9	Jubilee Clip - 12mm to 22mm	30001088	3	
10	Jubilee Clip - 20mm to 32mm	30001112	1	
11	Jubilee clip - 160mm - 180mm	30001113	1	
12	M4 x 10mm Posi pan head screw	30006293	2	

## 9. Rinse tank assembly

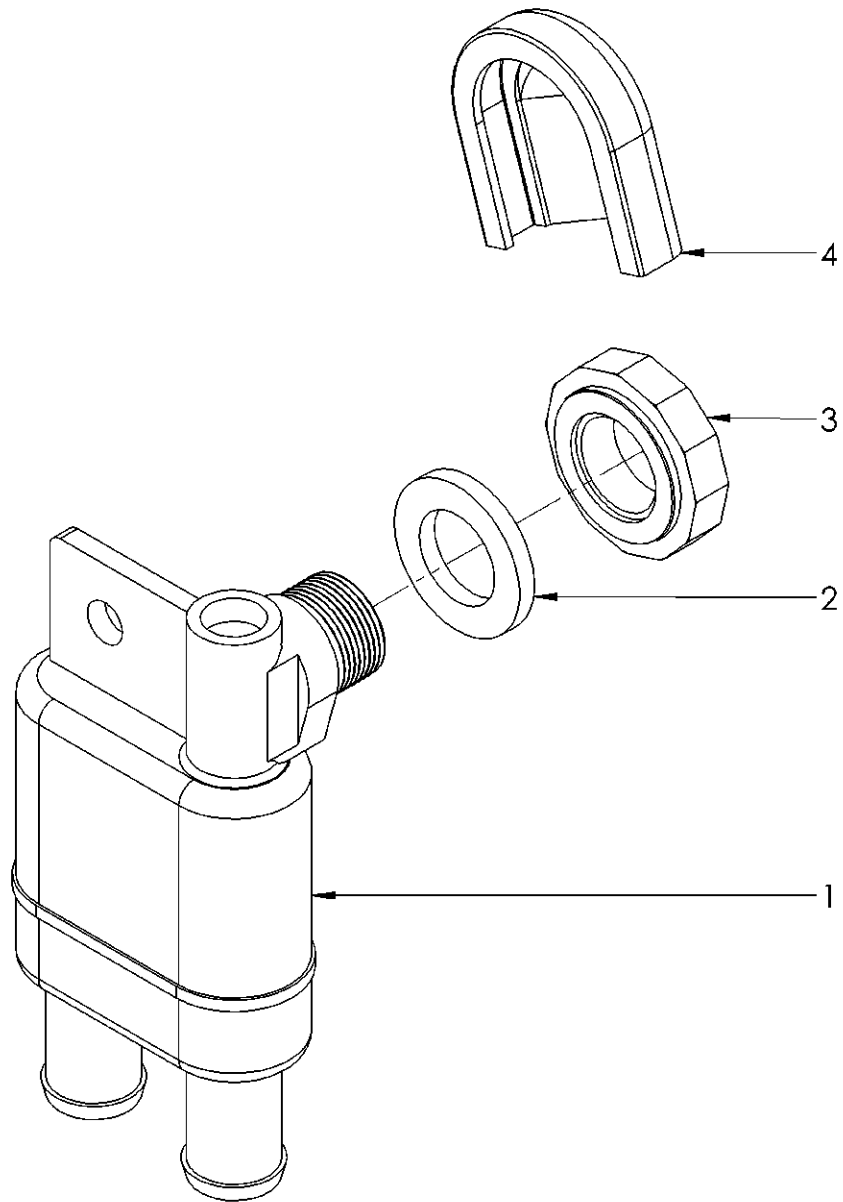


30011798-A

## 9. Rinse tank assembly – BOM

Item	Description	Part number	QTY.	Note
1	Rinse boiler - 7.5L		1	
2	Manual reset thermal trip switch - 3 pole - 95°C	30006090	1	
3	6kW element - no phile	30011827	1	
4	Bracket - rinse element	0117003	1	
5	O-Ring - Ø46 x Ø6	30000947	1	
6	M5 Flange nut (DIN 6923)	30001186	3	
7	M4 Flange nut (DIN 6923)	30006237	2	
8	Thermal sensor kit	30002179	1	

10. Lateral check valve assembly (30003528)

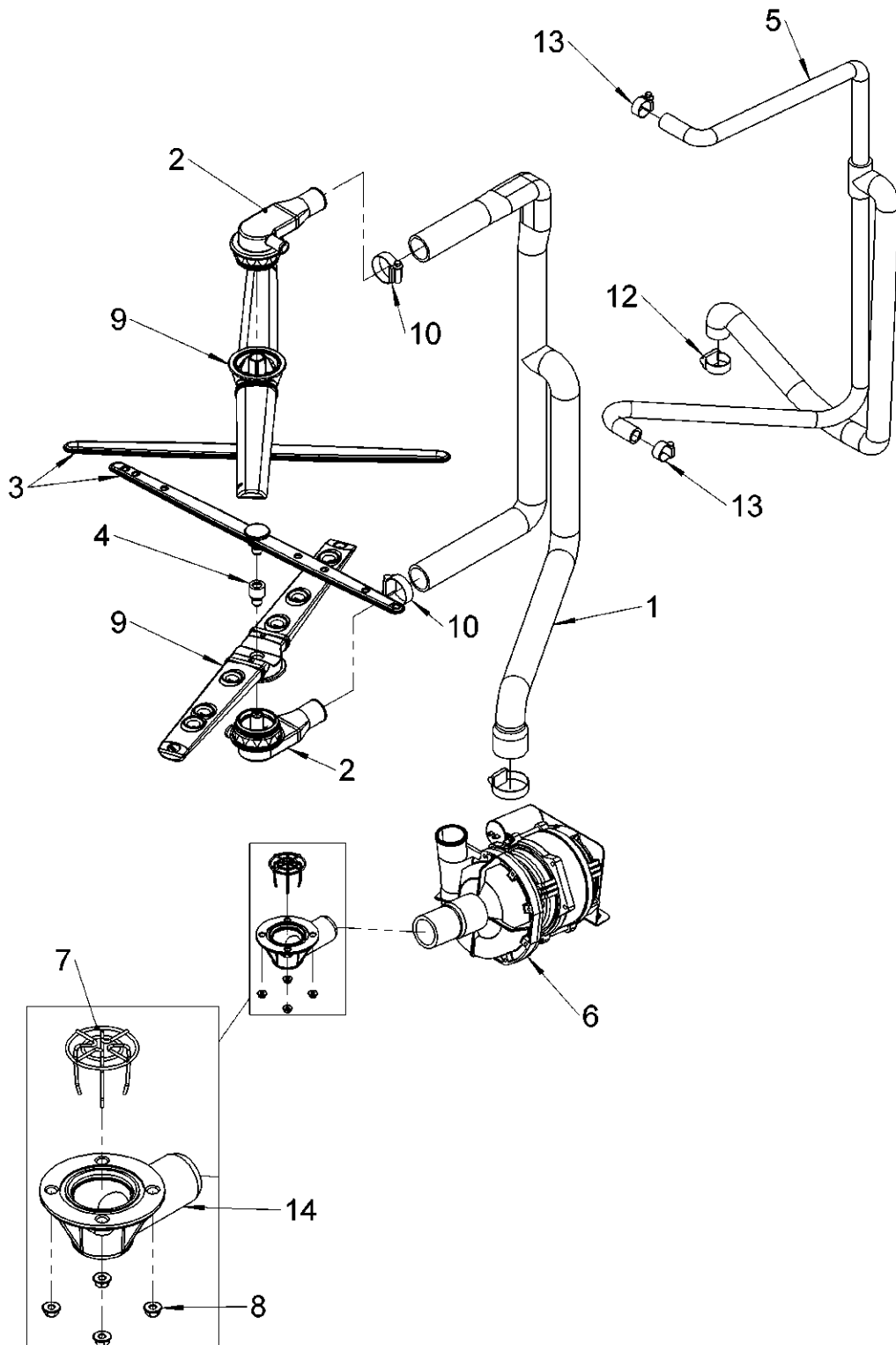


30003528-A

## 10. Lateral check valve assembly – BOM

Item	Description	Part number	QTY.	Note
1	Lateral check valve	3501194		
2	Lateral check valve seal	30001056		
3	Bihexagonal nut	61004451		
4	Cover	61004430		

## 11. Rinse and wash system



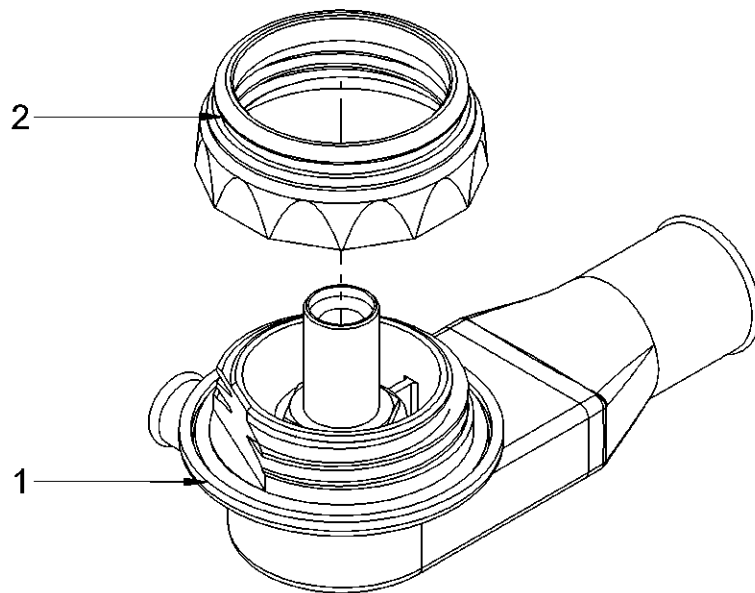
30012336-A



## 11. Rinse and wash system – BOM

Item	Description	Part number	QTY.	Note
1	Wash Pump Outlet Hose 500mm	60005334	1	
2	Centre boss assembly	30003284	2	
3	Revolving rinse arm assembly - 500mm	60004062	2	
4	Rinse arm extension screw	60005332	1	
5	Rinse System Hose 500mm	60005333	1	
6	Wash pump assembly	30011810	1	
7	Secondary filter	30011849	1	
8	M5 Flange nut (DIN 6923)	30001186	4	
9	500mm Wash arm kit	60003520	2	
10	Jubilee Clip -25mm to 40mm	30001089	2	
11	Jubilee clip - 30mm to 45mm	30001115	1	
12	Jubilee Clip - 20mm to 32mm	30001112	1	
13	Jubilee Clip - 12mm to 22mm	30001088	2	
14	Wash & Waste outlet manifold kit	30000625	1	

## 12. Centre boss assembly

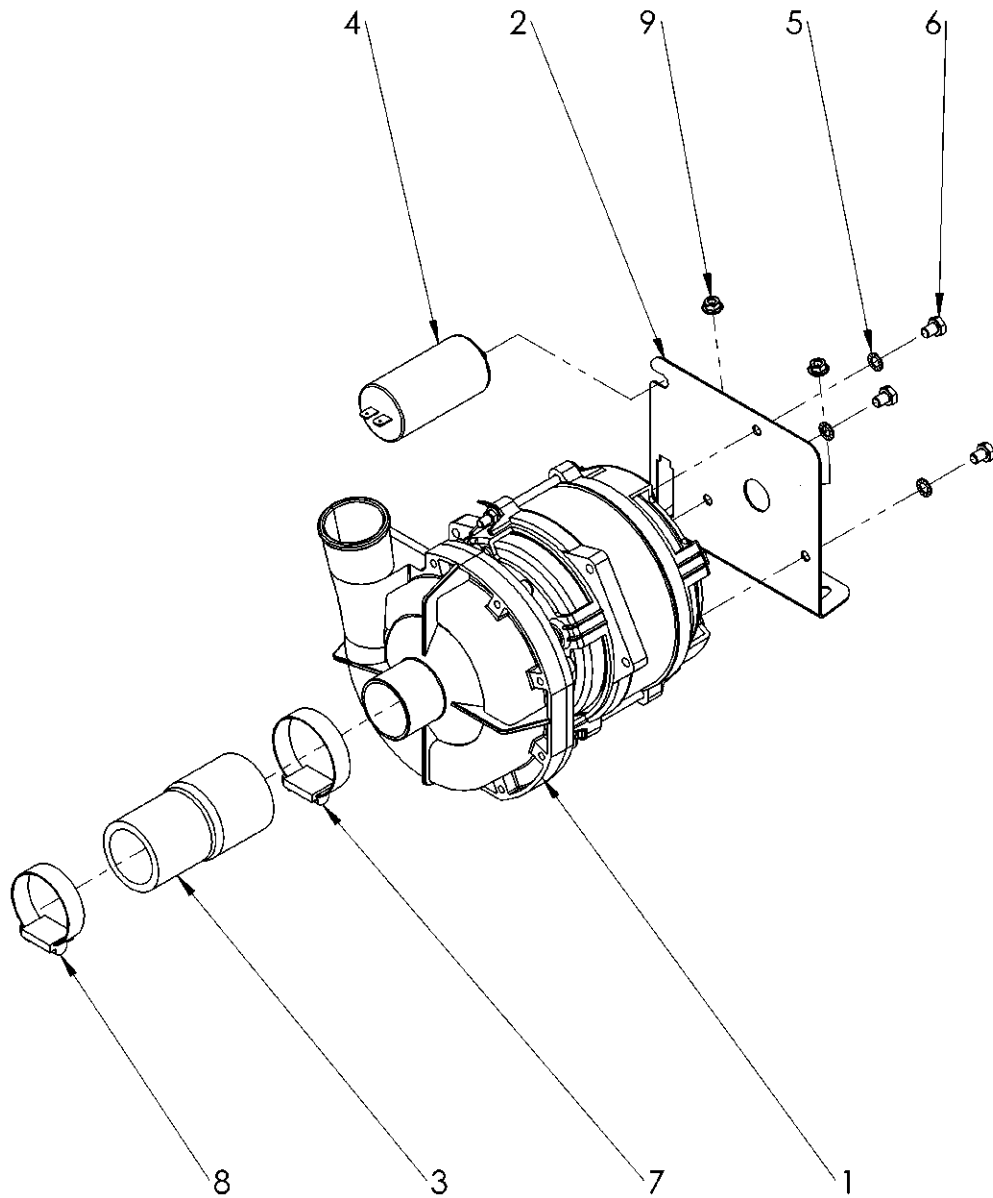


30003284-A

## 12. Centre boss assembly – BOM

Item	Description	Part number	QTY.	Note
1	Centre boss assembly	30012323	1	
2	Lock nut	60003005	1	

### 13. Wash pump assembly (30011810)

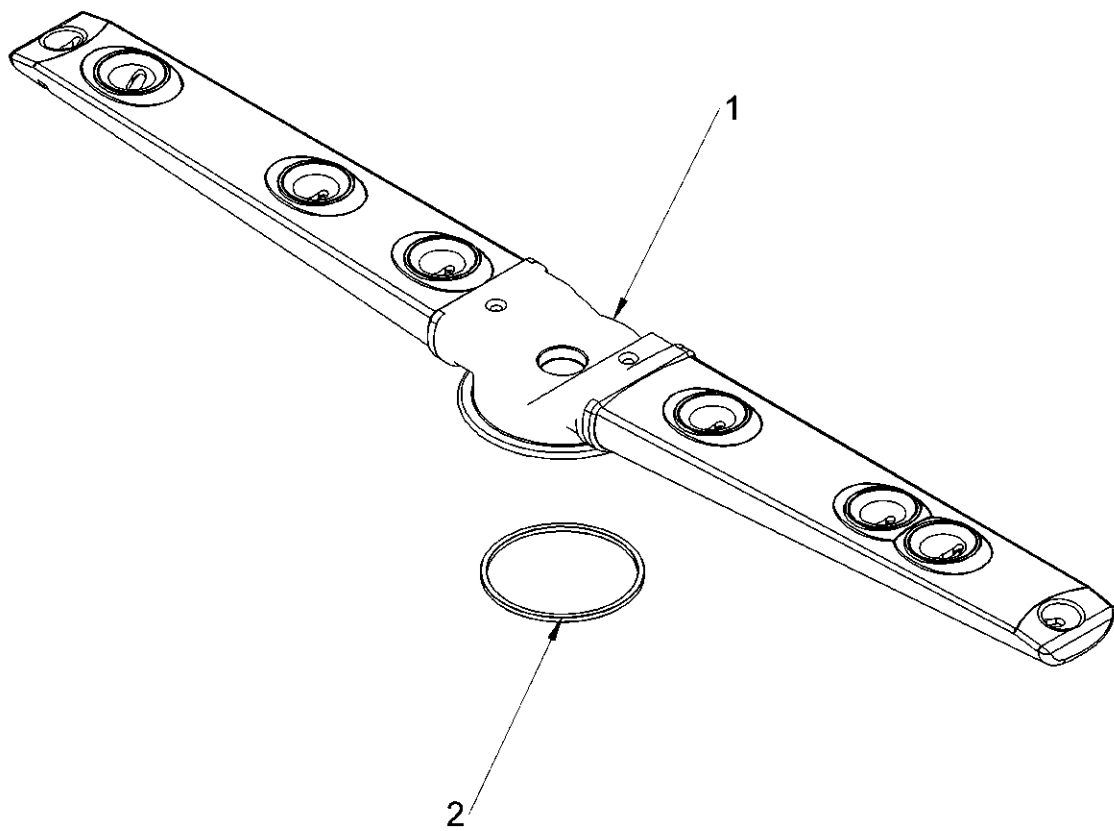


30011810-A

### 13. Wash pump assembly – BOM

Item	Description	Part number	QTY.	Note
1	Wash pump 0.58kW	30011817	1	
2	Wash pump bracket - 0.58kW	30011675	1	
3	12.5 $\mu$ F Capacitor	30011582	1	Includes washer & nut
4	M6 Serrated washer	30007939	3	
5	M6 x 8 hex head screw (ISO 4017)	30011209	3	
6	Wash pump inlet hose	30001125	1	
7	Jubilee clip - 32mm to 50mm	30001114	1	
8	Jubilee clip - 30mm to 45mm	30001115	1	
9	M5 Flange nut (DIN 6923)	30001186	2	

14. 500mm Wash arm kit (600003520)

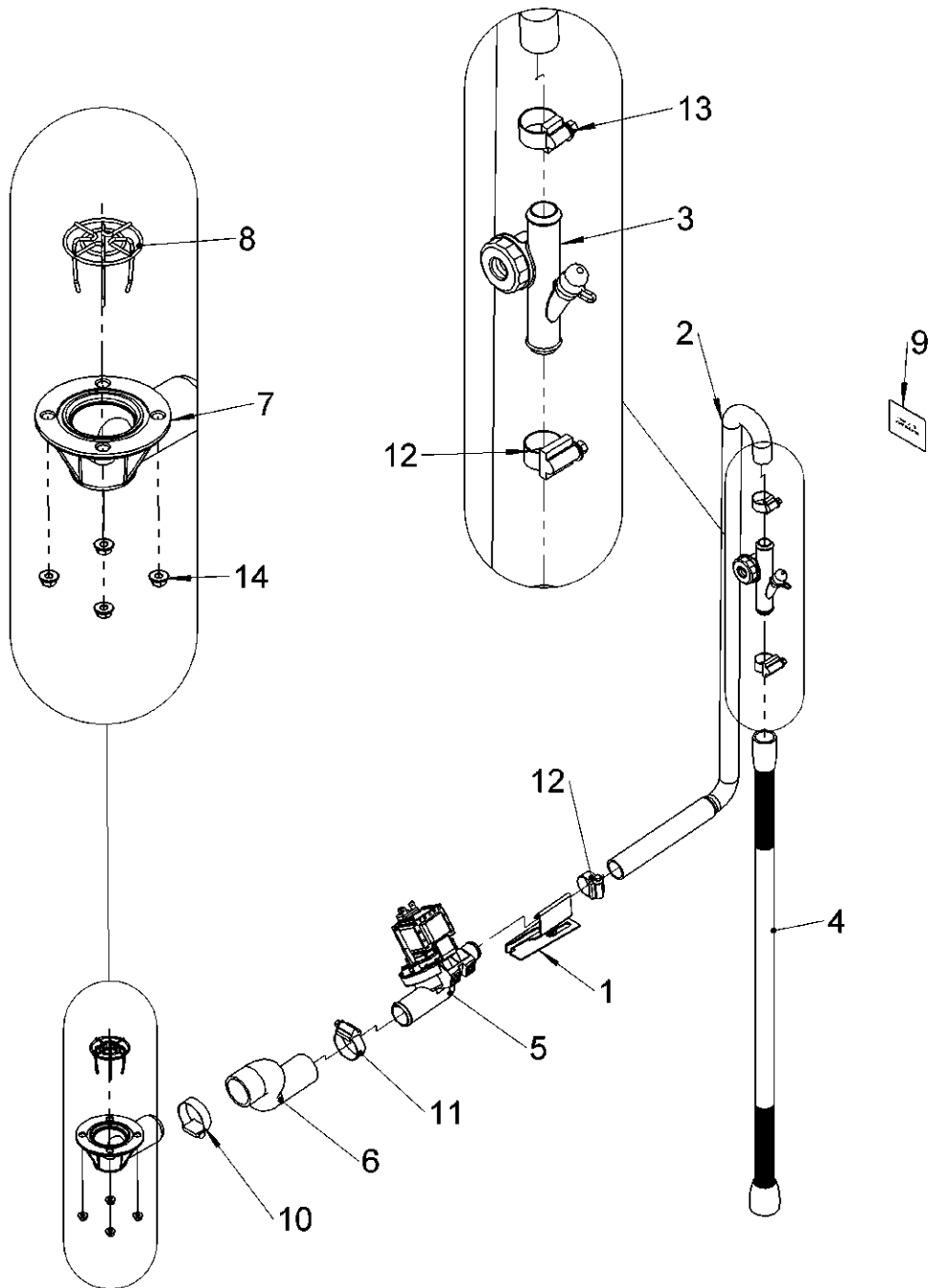


60003520-A

## 14. 500mm Wash arm kit – BOM

Item	Description	Part number	QTY.	Note
1	Wash Arm 500mm		1	Not available as a spare
2	Seal (turbo ring)	60003021	1	Only on Dishwasher

## 15. Drain pump assembly



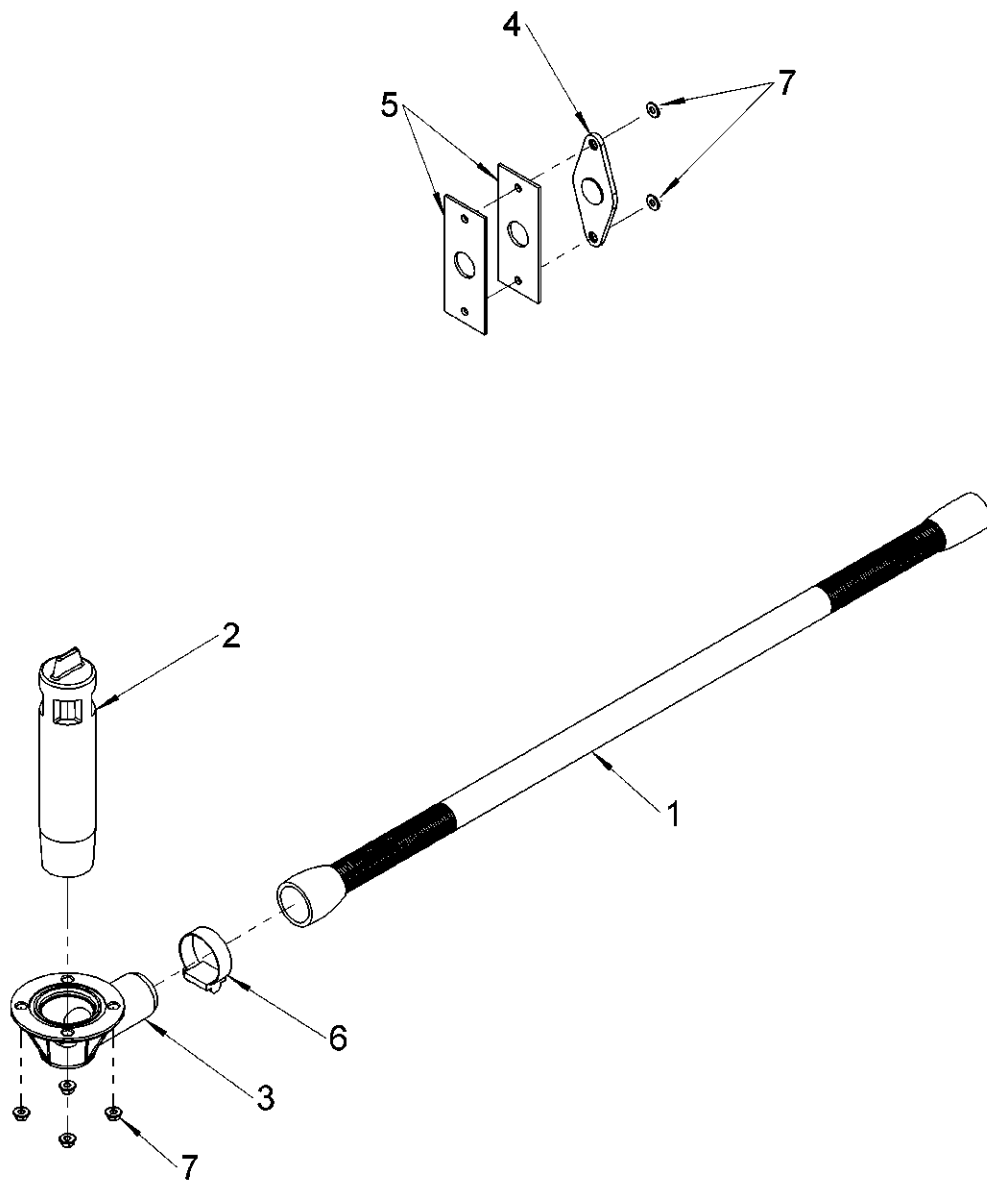
30012337-A



## 15. Drain pump assembly – BOM

Item	Description	Part number	QTY.	Note
1	Drain pump bracket new	30011624	1	
2	Drain pump outlet hose 500	30011730	1	
3	Drain Air break kit	60003514	1	
4	Drain hose	30000986	1	
5	Drain pump - Head 90° to flow	30011696	1	
6	Drain pump inlet hose	30011743	1	
7	Wash & Waste outlet manifold kit	30000625	1	
8	Secondary filter	30011849	1	
9	Drain height sticker	30012368	1	
10	Jubilee clip - 30mm to 45mm	30001115	1	
11	Jubilee Clip -25mm to 40mm	30001089	1	
12	Jubilee Clip - 16mm to 27mm	30001799	2	
13	Jubilee Clip - 12mm to 22mm	30001088	1	
14	M5 Flange nut (DIN 6923)	30001186	5	

## 16. Gravity drain assembly

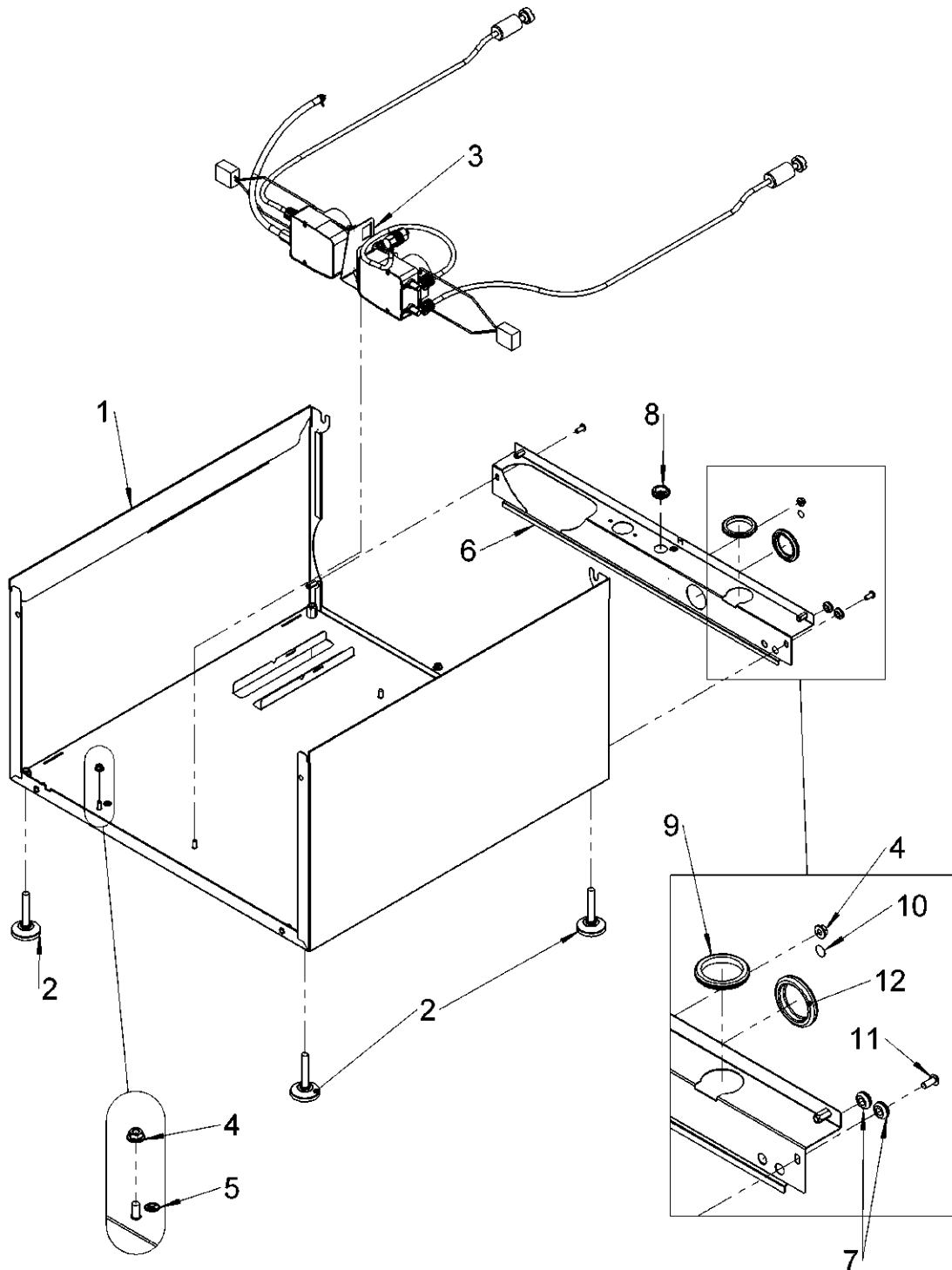


30012440-A

## 16. Gravity drain assembly – BOM

Item	Description	Part number	QTY.	Note
1	Drain hose	30000986	1	
2	Drain plug - 500mm	30001877	1	Only required on gravity drain machine
3	Wash & Waste outlet manifold kit	30000625	1	
4	Airbreak hole blanking cover	30001049	1	
5	Air break seal	30012588	2	
6	Jubilee clip - 30mm to 45mm	30001115	1	
7	M5 Flange nut (DIN 6923)	30001186	6	

## 17. Base assembly

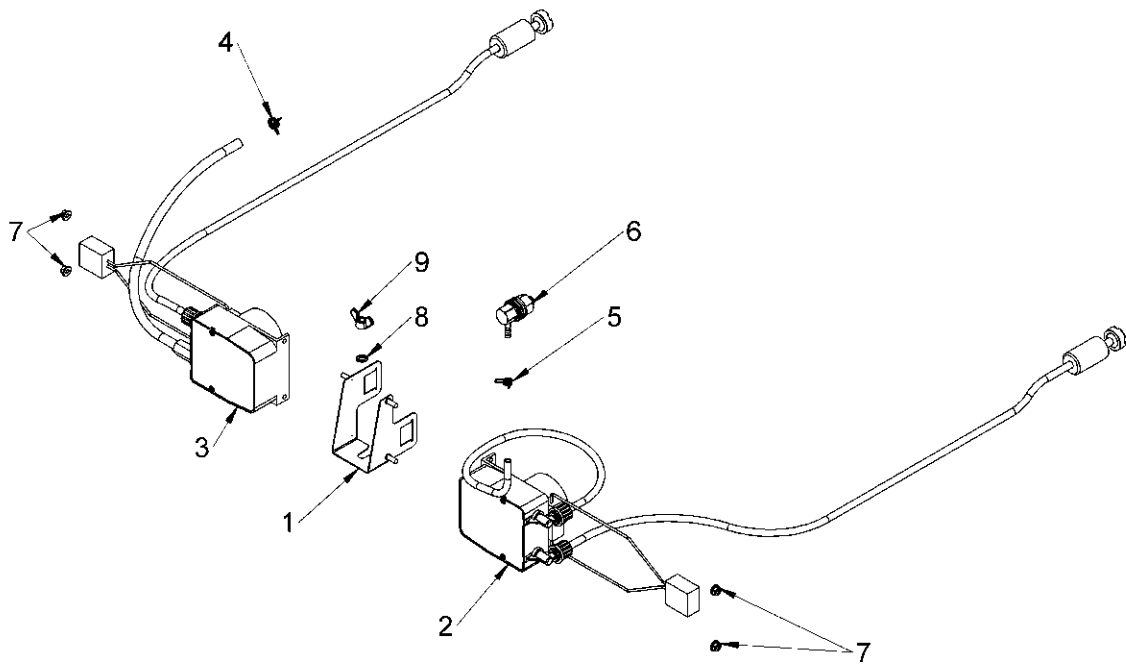


30012341-A

## 17. Base assembly – BOM

Item	Description	Part number	QTY.	Note
1	500mm Base assembly		1	
2	Adjuster Foot	30001107	4	
3	Chemical pump assembly		1	
4	M5 Flange nut (DIN 6923)	30001186	3	
5	Earth sticker	30008786	3	
6	500mm rear base assembly	30011679	1	
7	Chemical tube grommet	30002141	2	
8	Mains cable grommet	30011630	1	
9	Drain hose grommet	30011631	1	
10	Equipotential bonding sticker	30011891	1	
11	M5 x 12 Hex socket button head screw	30006300	2	
12	Drain blanking grommet	30012167	1	

## 18. Chemical pump assembly

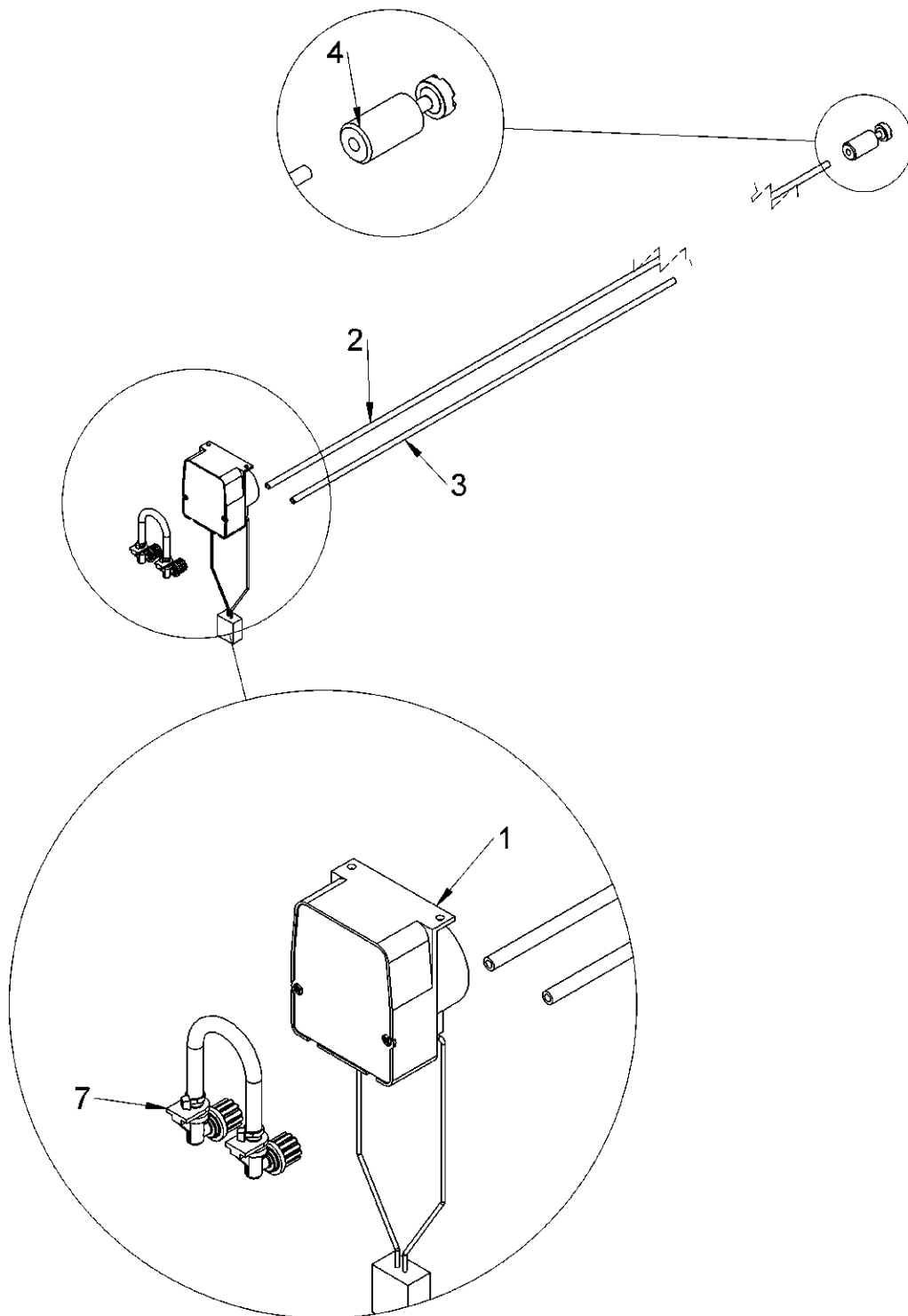


30012343-A

## 18. Chemical pump assembly – BOM

Item	Description	Part number	QTY.	Note
1	Chemical pump bracket assembly	30011626	1	
2	Detergent Pump Assembly	30011805	1	
3	Rinse aid pump assembly	30011806	1	
4	Spring clip - Ø8.8mm to Ø9.3mm	30011994	1	
5	Spring clip - Ø6.6mm to Ø7mm	30011995	1	
6	Detergent inlet fitting	30011822	1	
7	M4 Flange nut (DIN 6923)	30006237	4	
8	M5 Serrated washer	30001126	1	
9	M5 Wing Nut	30001132	1	

19. Detergent pump assembly (30011805)



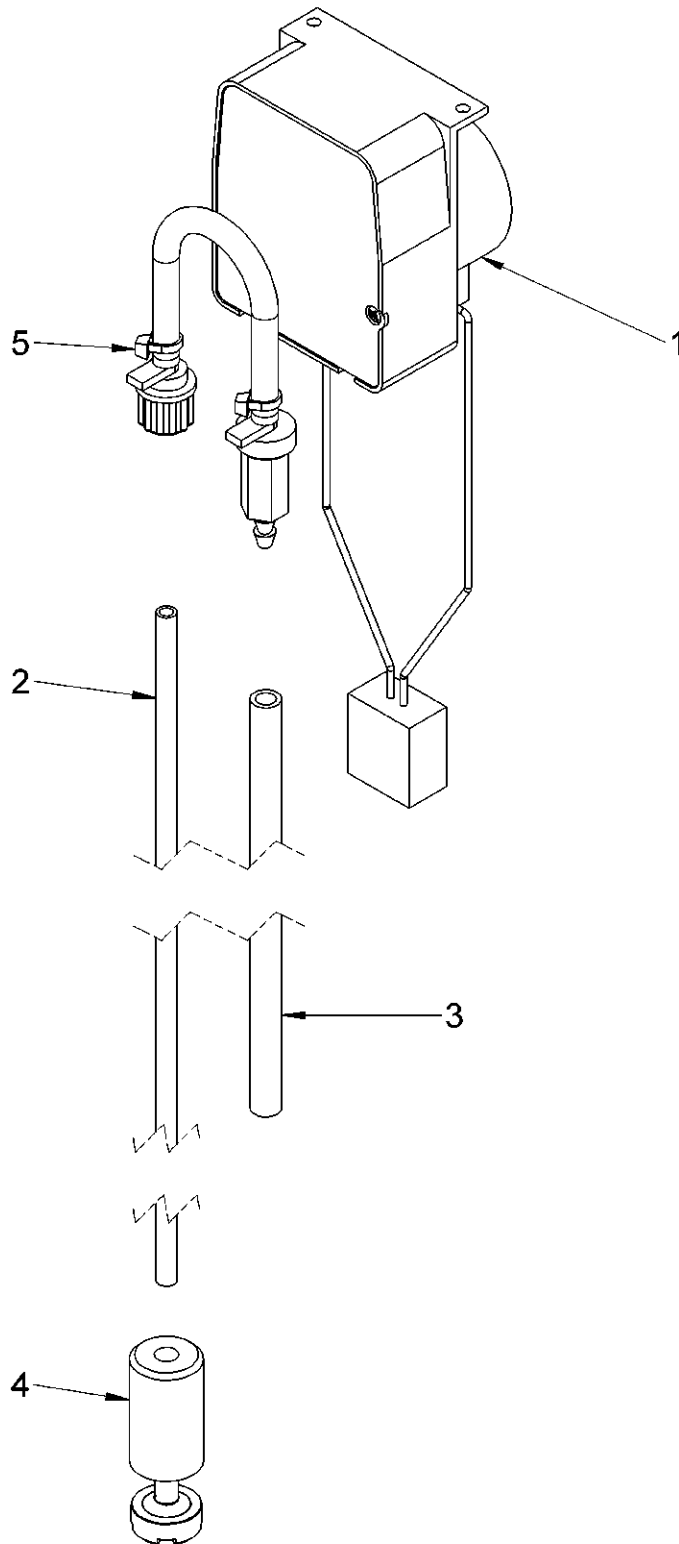
30011805-A



## 19. Detergent pump assembly – BOM

Item	Description	Part number	QTY.	Note
1	Detergent pump housing		1	Not available as a spare
2	Detergent inlet tube	30012405	1	Clear Tube
3	Detergent outlet tube	30012406	1	
4	Bottle weight kit	30012370	1	
5	Detergent peristaltic tube assembly	30012407	1	

20. Rinse aid pump assembly (30011806)

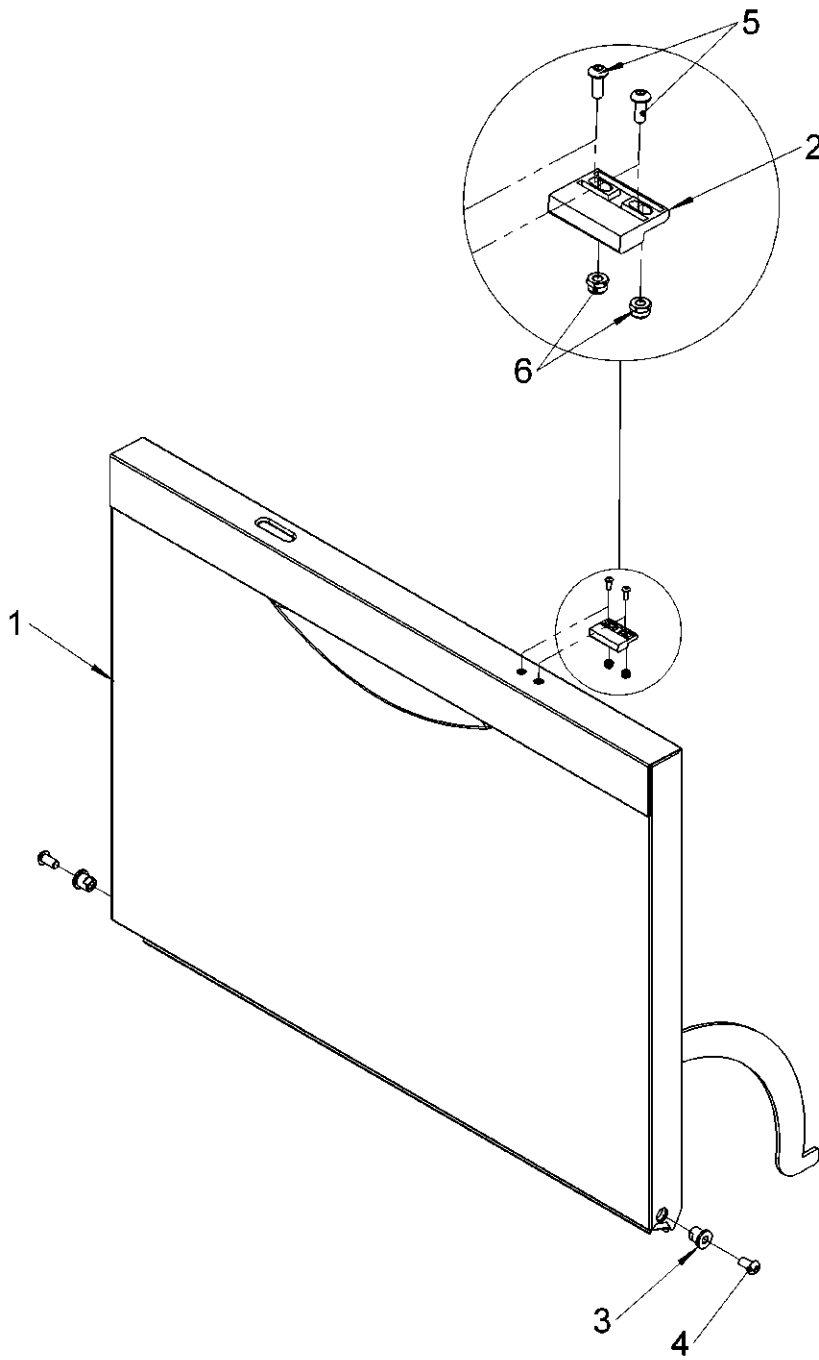


30011806-A

## 20. Rinse aid pump assembly – BOM

Item	Description	Part number	QTY.	Note
1	Rinse aid pump housing		1	Not available as a spare
2	Rinse aid inlet tube	30012413	1	Blue Tube
3	Rinse aid outlet tube	30012414	1	
4	Bottle weight kit	30012370	1	
5	Rinse aid perstaltic tube assembly	30012415	1	

## 21. Door assembly

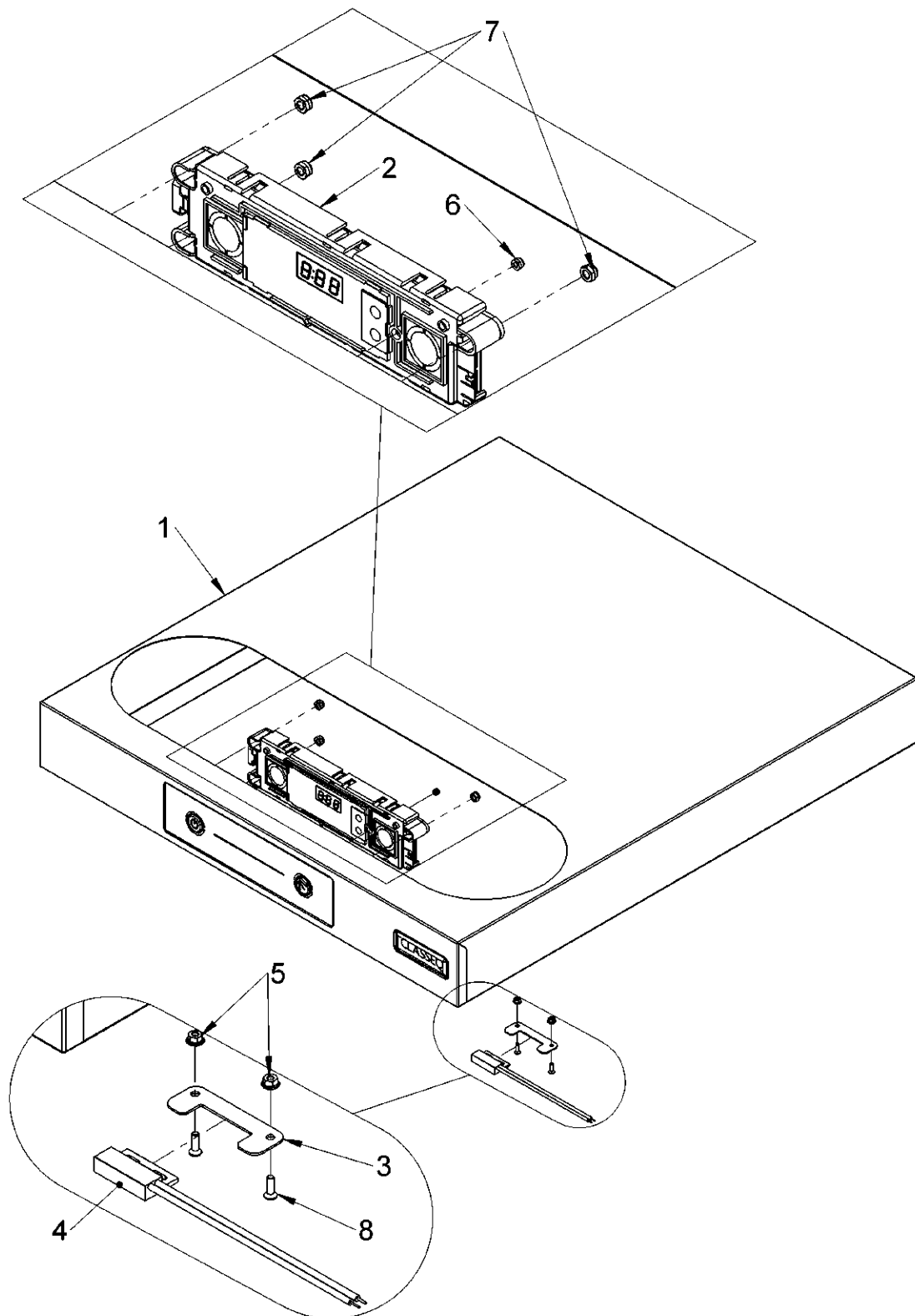


30012338-A

## 21. Door assembly – BOM

Item	Description	Part number	QTY.	Note
1	Door assembly - 500mm	30011390	1	
2	Door magnet	30000981	1	
3	Door pivot pin	30001050	2	
4	M6 x 12 Hex socket button head screw	30001063	2	
5	M3 x 8 Hex socket button head screw	30001059	2	
6	M3 Thin Nylock nut (ISO 10511)	30001051	2	

## 22. Top panel assembly LED



30012339-A

## 22. Top panel assembly LED – BOM

Item	Description	Part number	QTY.	Note
1	500mm SS LED top panel	30012442	1	
2	LED UI assembly	30011791	1	
3	Door switch bracket	30011690	1	
4	Crimped proximity switch assembly	30000980	1	
5	M3 Flange nut (DIN 6923)	30001171	2	
6	M3 Thin Nylock nut (ISO 10511)	30001051	1	
7	M5 Thin Nylock nut (ISO 10511)	30006274	3	
8	M3 x 10 CSK hex socket head screw	30011975	2	

## 23. Accessories

Item	Description	Part number	QTY.	Note
1	Water supply hose	30001162	1	
2	500mm <sup>2</sup> open basket	30001197	1	
3	500mm <sup>2</sup> dish basket	30001198	1	
4	Large cutlery basket	30001199	1	

## 24. Mains cables

Item	Description	Part number	QTY.	Note
1	13A mains cable kit	30003306	1	
2	3 phase mains cable kit	30003308	1	
3	30A mains cable kit	30012385	1	
4	20A mains cable kit	30003307	1	

Document number: 30012460  
Revision: A  
Date: 09/01/2017  
Language: English