



CLASSEQ LTD

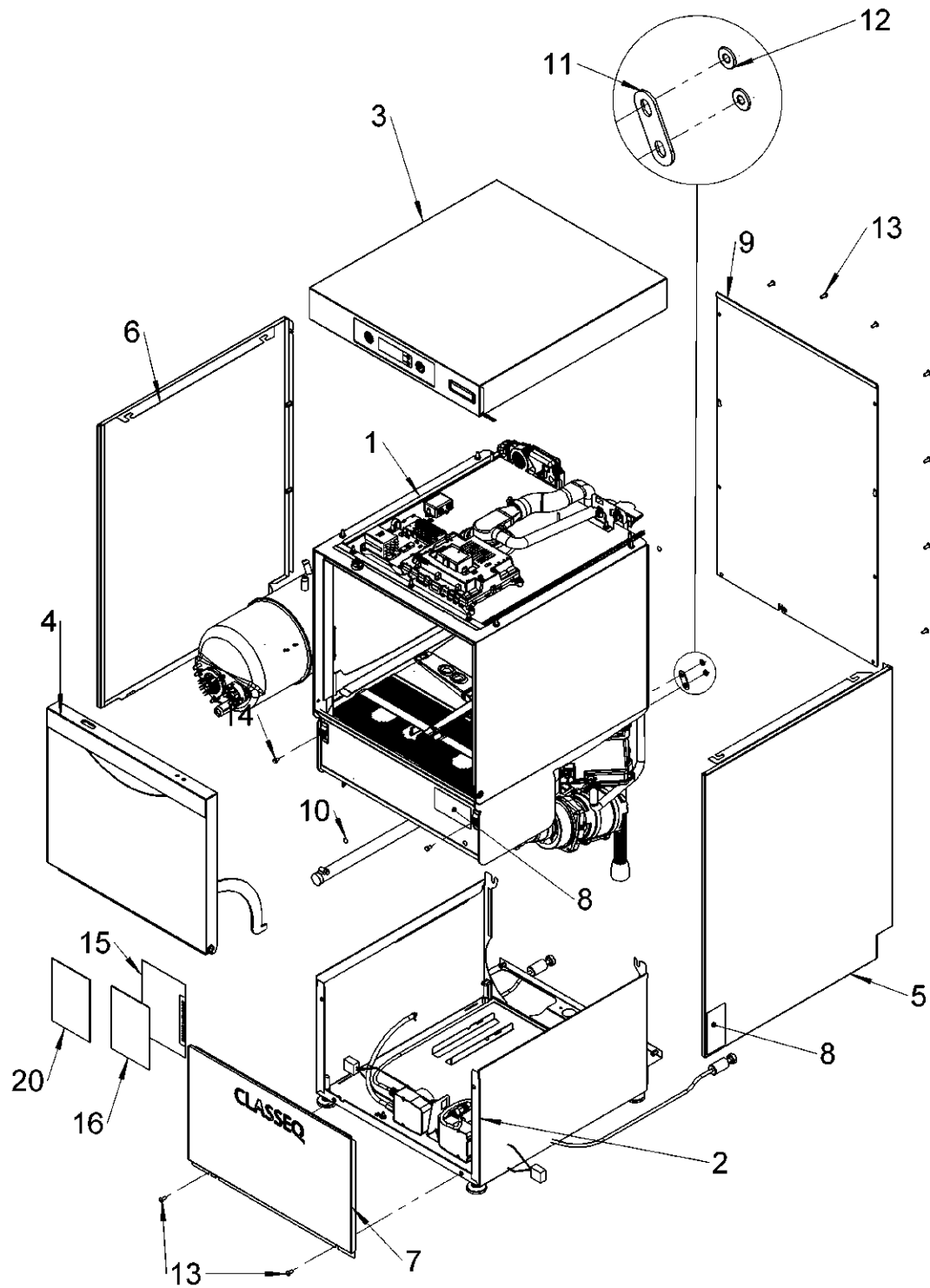
Spares manual

G400 DUO WS

Table of contents for G400 DUO WS

1.	Machine assembly.....	3
2.	Cabinet assembly	5
3.	Cabinet external assembly.....	7
4.	Control unit assembly	9
5.	Filters – Standard drain pump	11
6.	Filters – Premium drain pump	13
7.	Cabinet internal assembly.....	15
8.	Fill system.....	17
9.	Rinse tank assembly 2.6kW (30012420)	19
10.	Rinse tank assembly 6kW (30011803)	21
11.	Air break assembly (30012387)	23
12.	Water softener unit (83000420)	25
13.	Rinse and wash system	27
14.	Centre boss assembly	29
15.	Wash pump assembly (30011812).....	31
16.	Rinse pump assembly (30011814)	33
17.	Wash arm 400mm Kit (62003531)	35
18.	Drain pump assembly	37
19.	Base assembly	39
20.	Chemical pump assembly	41
21.	Detergent pump assembly (30011805)	43
22.	Rinse aid pump assembly (30011806)	45
23.	Door assembly.....	47
24.	Top panel assembly LCD	49
25.	Accessories.....	51
26.	WS accessories kit	51
27.	Mains cables.....	51

1. Machine assembly

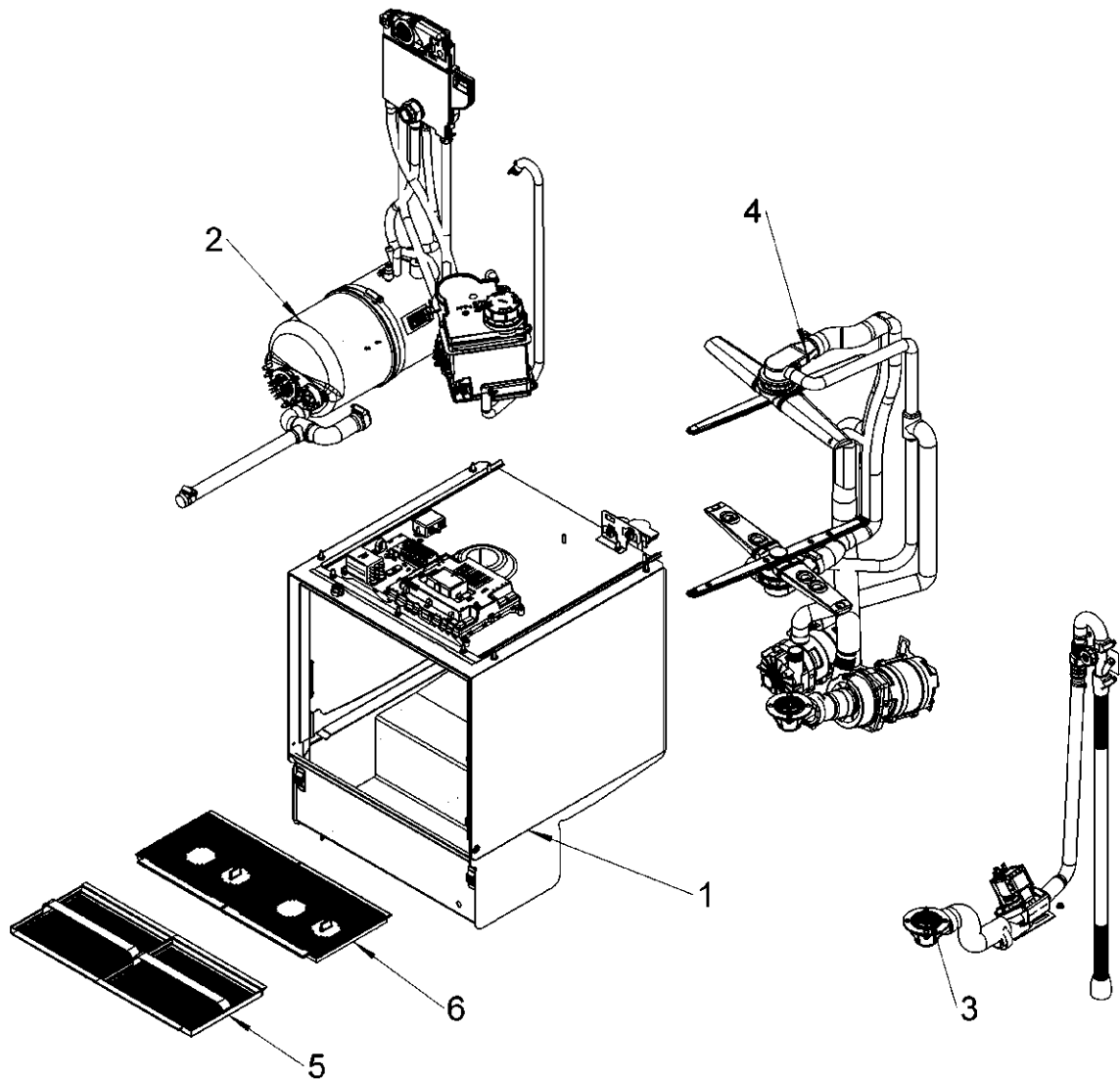


30003319-A

1. Machine assembly – BOM

Item	Description	Part number	QTY.	Note
1	400mm WS Glass Cabinet assembly		1	
2	400mm Base assembly		1	
3	400mm DS Top panel LCD components assembly	30003316	1	
4	400mm Door assembly	30003317	1	
5	400mm RH side panel assembly	30011666	1	
6	400mm LH side panel assembly	30011667	1	
7	400mm Bottom front panel	30011673	1	
8	Rating plate		2	
9	400mm WS rear panel assembly	30003320	1	
10	Earth sticker	30008786	3	
11	Bracket - cabinet to base	30001833	2	
12	M5 Flange nut (DIN 6923)	30001186	4	
13	M5 x 12 Hex socket button head screw	30006300	12	
14	M5 x 8 hex head screw (ISO 4017)	30001124	2	
15	Document enclose envelope		1	
16	Wiring diagram - UC_13A_30A_3P_WS_LCD	30012027	1	Available for download
17	400mm Glasswasher accessories	30003322	1	Not shown
18	WS accessories kit		1	Not shown
19	Mains cables		1	Not shown
20	Wiring diagram - UC_13A_WS	30012589	1	Available for download

2. Cabinet assembly

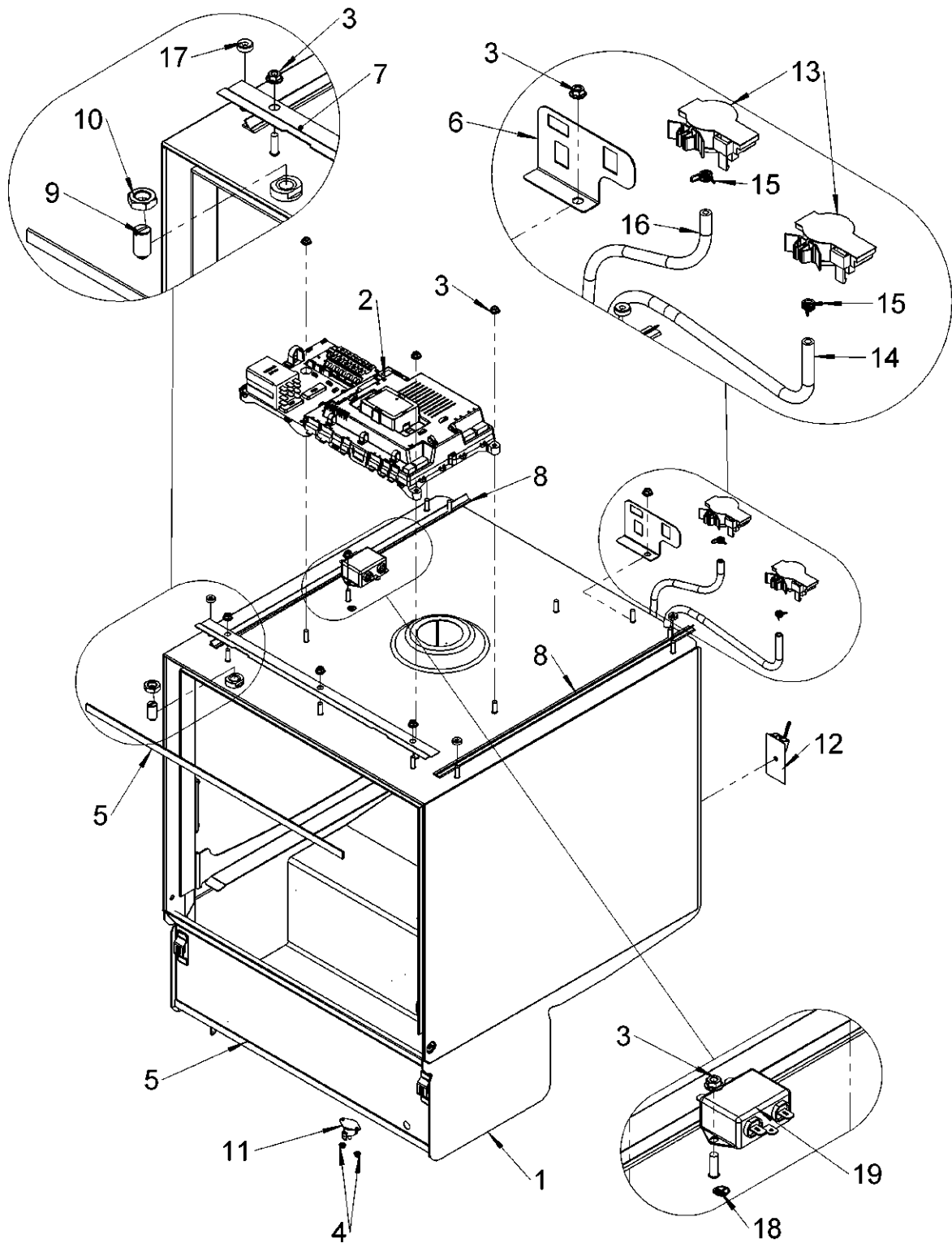


30012287-A

2. Cabinet assembly – BOM

Item	Description	Part number	QTY.	Note
1	400mm WS cabinet external assembly		1	
2	400mm WS fill system		1	
3	400mm WS drain pump assembly		1	
4	400mm WS wash/rinse system		1	
5	400mm Primary filter kit - Pumped drain - Premium	30003330	1	For pump drain machines only
6	400mm Primary filter kit - Pumped drain - Standard	30003329	1	For pump drain machines only

3. Cabinet external assembly

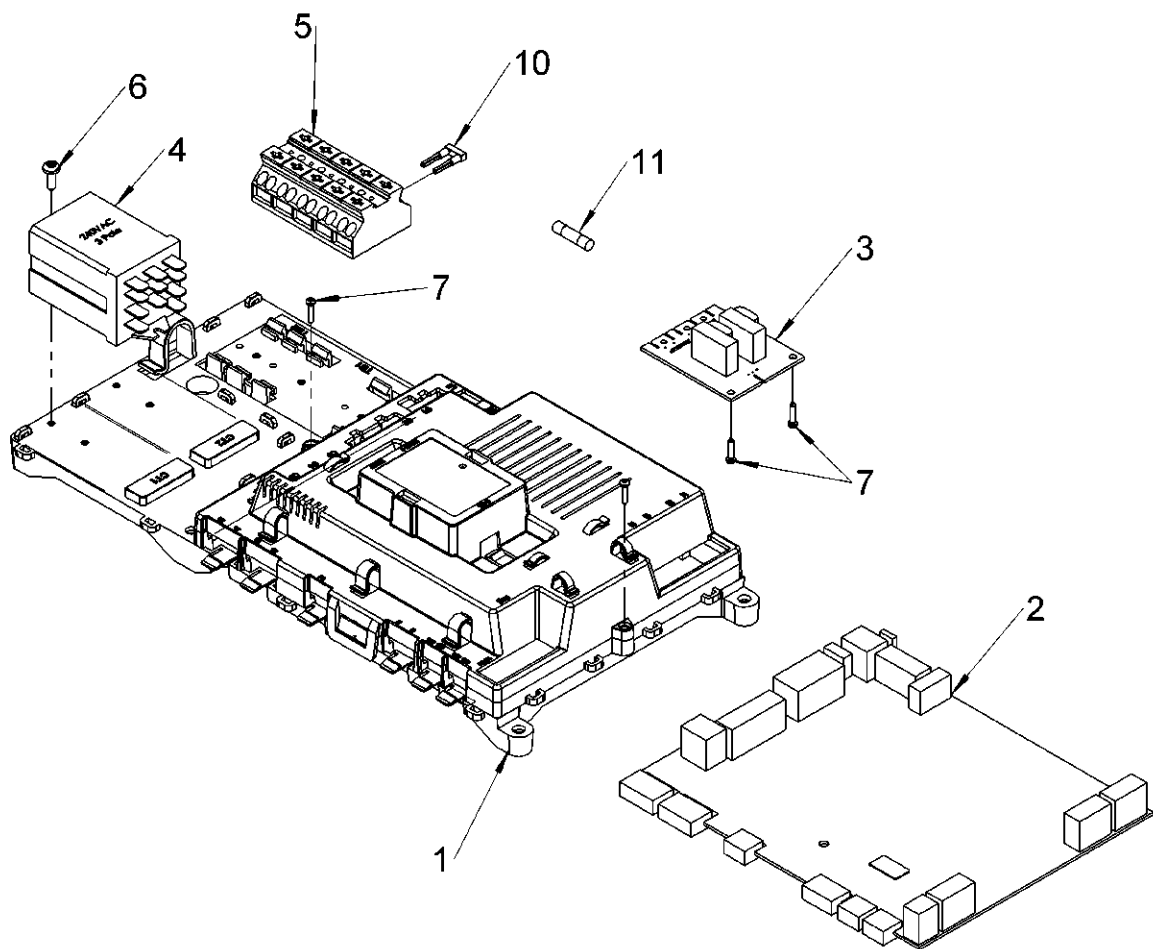


30003309-A

3. Cabinet external assembly – BOM

Item	Description	Part number	QTY.	Note
1	400mm WS wash cabinet internal assembly		1	
2	Control unit assembly - 400mm 2.6kW WS		1	
3	M5 Flange nut (DIN 6923)	30001186	8	
4	M3 Flange nut (DIN 6923)	30001171	2	
5	400mm Foam seal	30011635	2	
6	Air pressure sensor bracket	30011625	1	
7	400mm Front water manage plate	30011652	1	
8	Side water management seal - 400/350mm	30012007	2	
9	Ball catch - M12	30001064	1	
10	M12 Thin nut	30001070	1	
11	Overheat stat 1 Pole 85°C	30007917	1	
12	Thermal sensor kit	30002179	1	
13	Pressure sensor	3126044	2	
14	Wash APS tube 400mm	30011885	1	
15	Spring Clip - Ø7.8mm to Ø8.3mm	30001083	4	
16	400mm WS rinse APS tube	30011888	1	
17	M5 Press nut	30011807	4	
18	Earth sticker	30008786	1	
19	UC Mains filter	30012203	1	

4. Control unit assembly

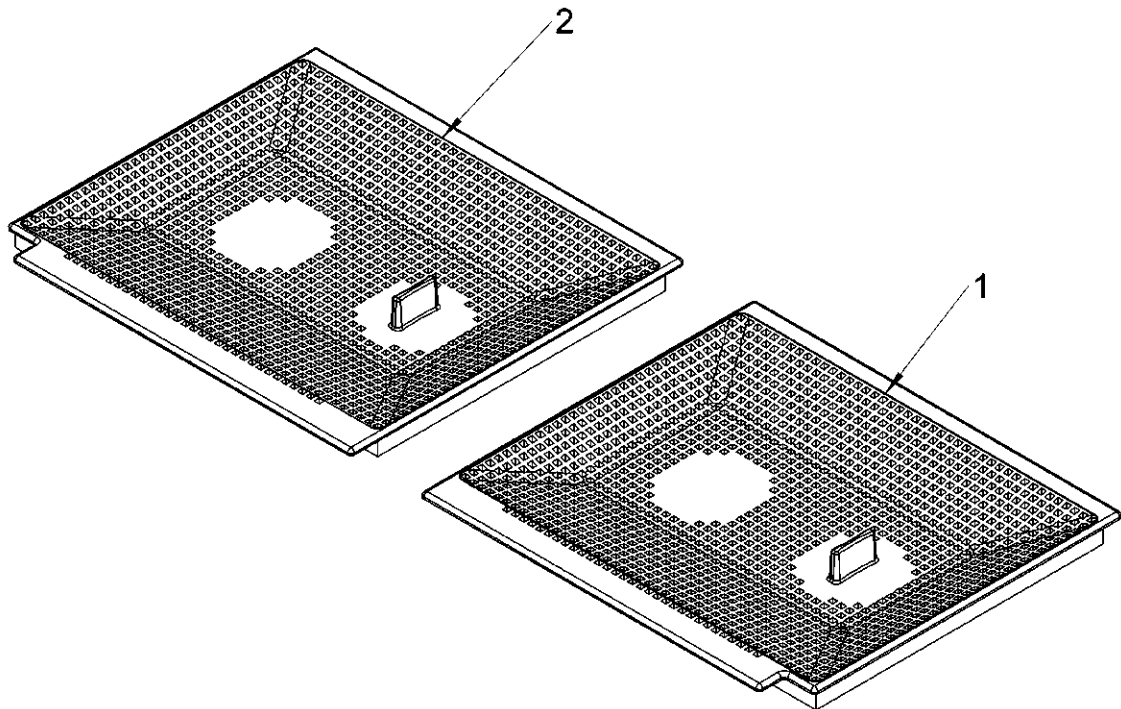


30012351-A

4. Control unit assembly – BOM

Item	Description	Part number	QTY.	Note
1	Control board enclosure assembly	30012023	1	
2	ZSE mini full assembly	30012356	1	
3	Water softener board	30011823	1	
4	3 Pole Change Over relay	30000984	1	
5	Terminal Block - 5 Pole - Grip Type	30001146	1	30A and 3 phase machines
6	3.5x10mm posi pan head PT screw	30011825	1	
7	2.5x10mm PT screw	30011824	4	
8	Wiring harness - 350/400/500 UI/Door	30011863	1	Not shown
9	Wiring harness - 400mm 13A/30A/3P WS		1	30A and 3 phase machines
10	WAGO 5 pole jumping bar	30008142	1	Refer wiring diagram for quantity
11	4 Amp Fine Fuse ZSE	3111123	1	

5. Filters – Standard drain pump

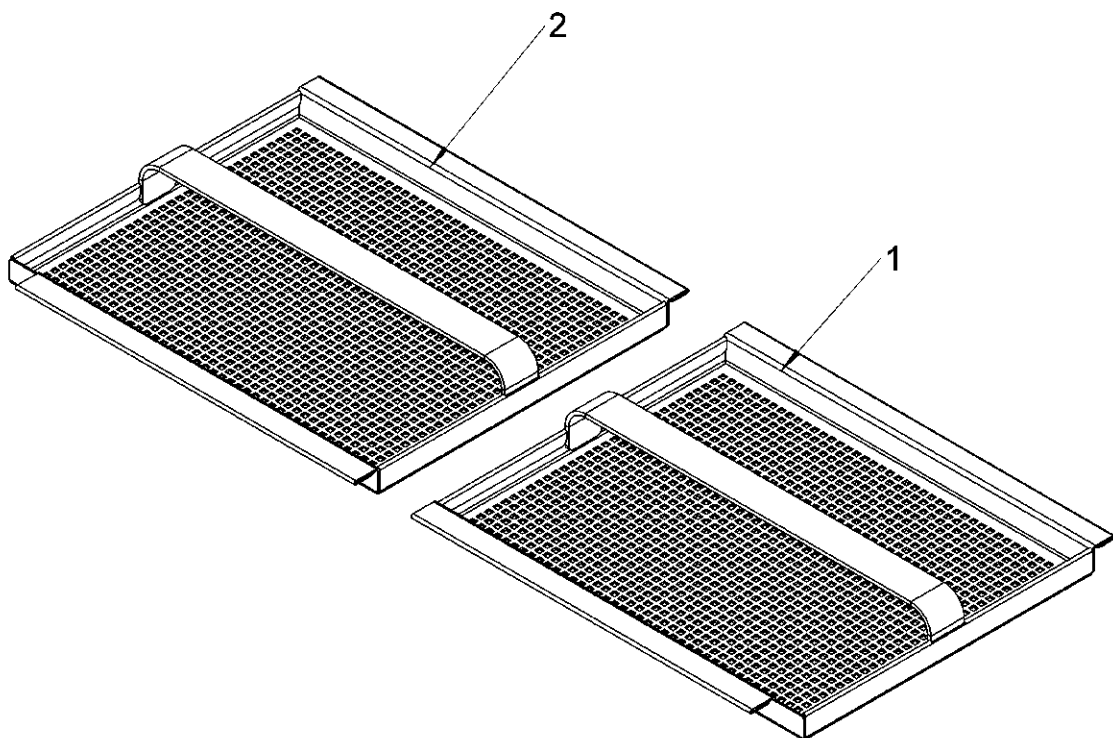


30003329-A

5. Filters – Standard drain pump – BOM

Item	Description	Part number	QTY.	Note
1	Wash filter RH - 400mm - Drain pump	30000942	1	
2	Wash Filter - LH - 400mm	30000943	1	

6. Filters – Premium drain pump

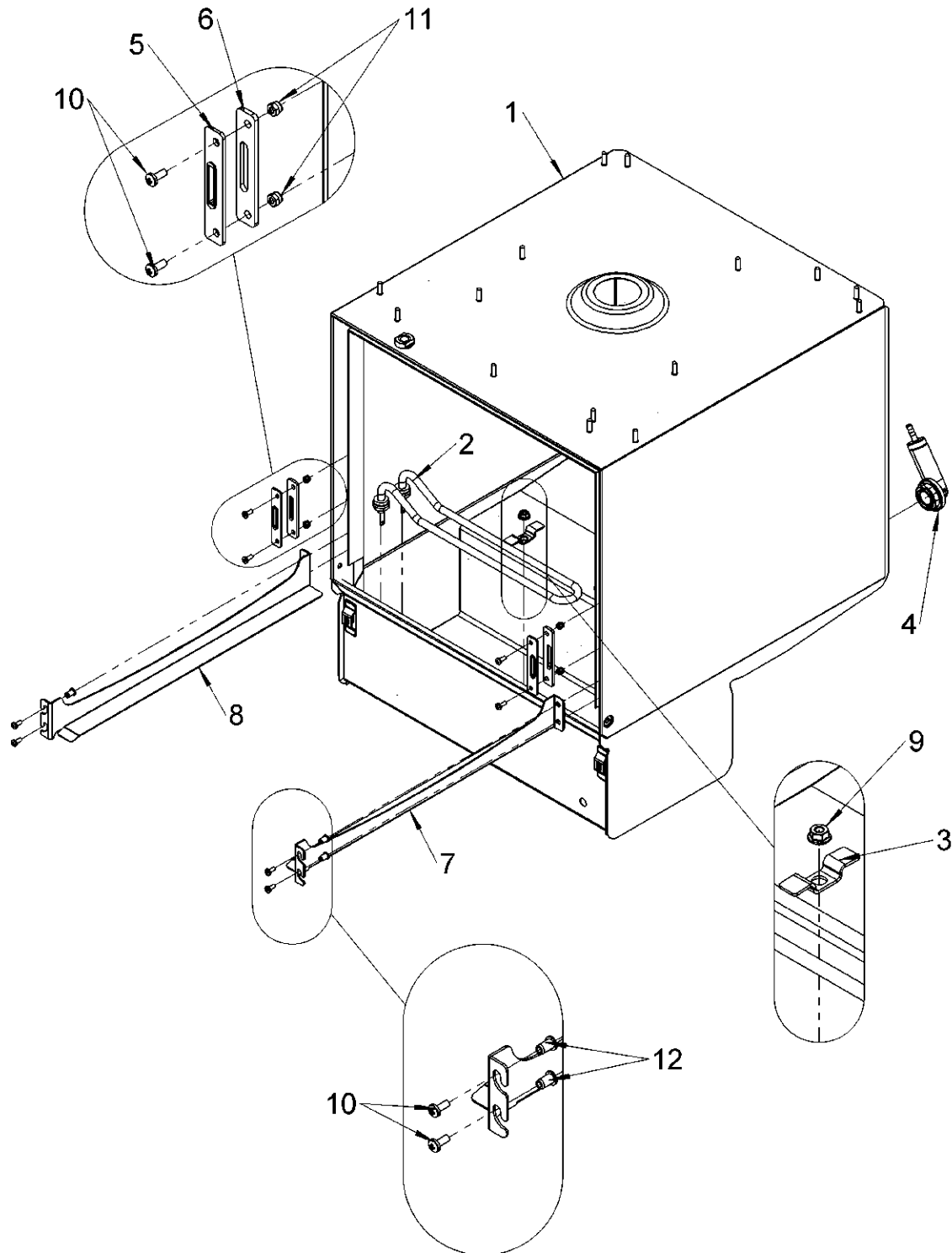


30003330-A

6. Filters – Premium drain pump – BOM

Item	Description	Part number	QTY.	Note
1	RH Filter assembly - 400	30011769	1	
2	LH Filter assembly - 400	30011770	1	

7. Cabinet internal assembly

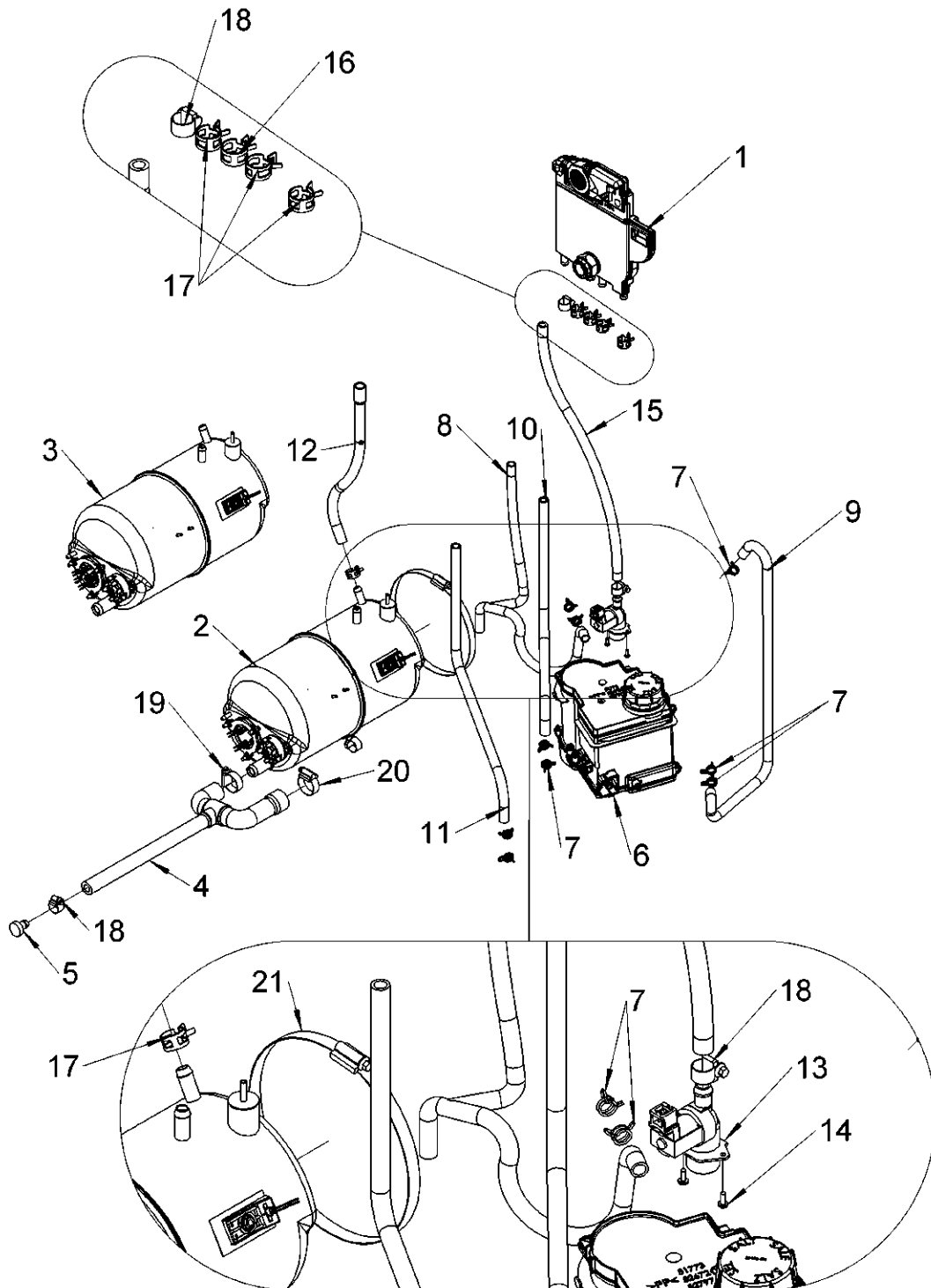


30003305-A

7. Cabinet internal assembly – BOM

Item	Description	Part number	QTY.	Note
1	400mm WS cabinet weld assembly		1	Not available as a spare
2	2kW Wash element	30000975	1	Includes 2x Washers & 2x M12 fine thread thin nut
3	Wash Element Retaining Bracket	30006126	1	
4	Air chamber assembly kit	60003525	1	
5	Door Inlay	30001061	2	
6	Plate - Door stop	30001062	2	
7	400 RH Basket ramp	30001046	1	
8	400 LH Basket ramp	30001047	1	
9	M6 Flange nut (DIN 6923)	30001848	1	
10	M4 x 10mm Posi pan head screw	30006293	8	
11	M4 Nylock nut (ISO 7040)	30001172	4	
12	Round nutserts	30001075	4	

8. Fill system

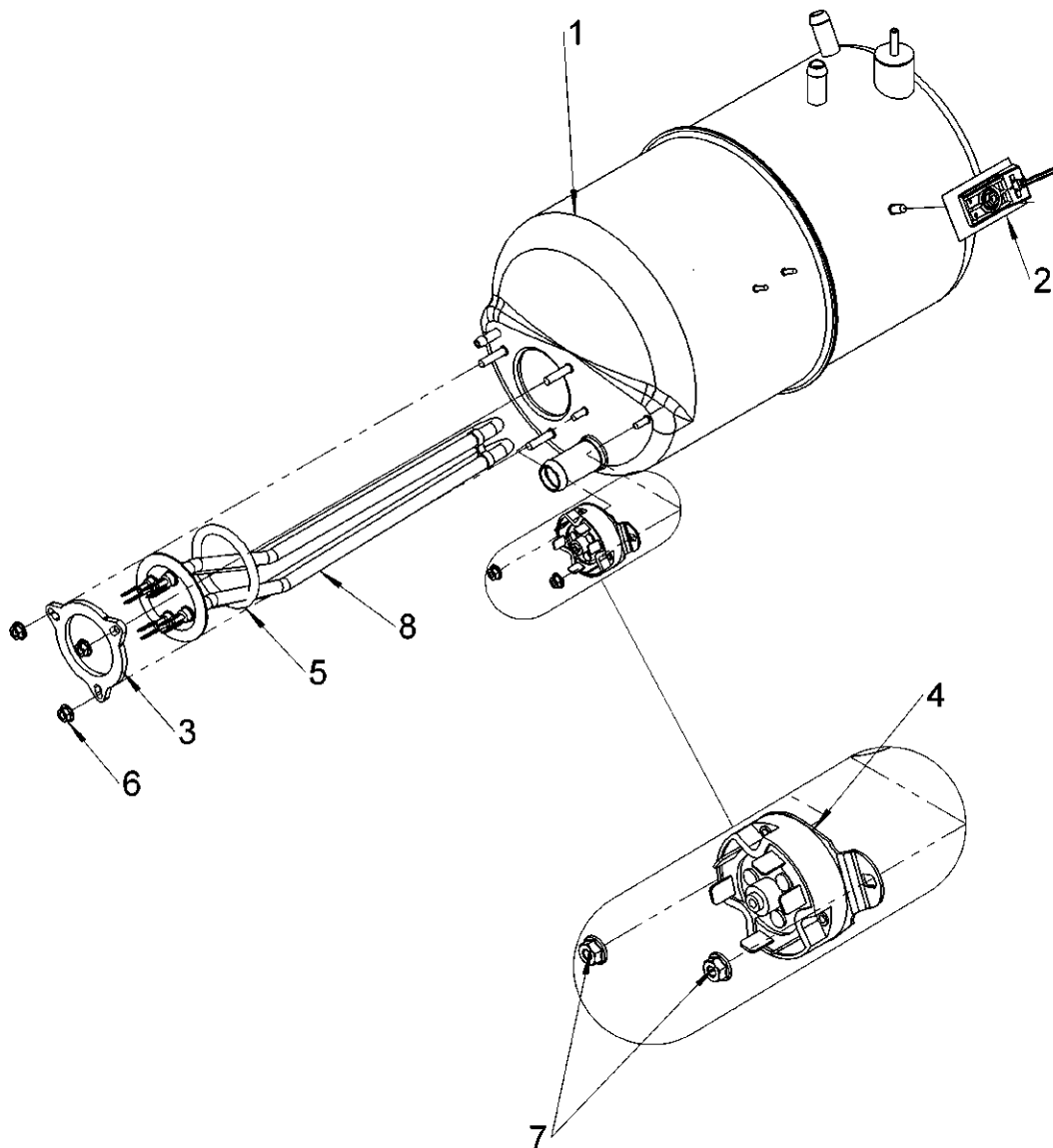


30003312-A

8. Fill system – BOM

Item	Description	Part number	QTY.	Note
1	Water softener air break	30012387	1	
2	6.5L WS Boiler assembly - 2.6kW	30012420	1	13A machines
3	6.5L WS Boiler assembly - 6kW	30011803	1	30A and 3 phase machines
4	Rinse pump inlet hose - 500mm	30011741	1	
5	Stopper end cap	70007962	1	
6	Water softener kit	83000420	1	
7	Spring clip - Ø12.8mm to Ø15mm	30006121	9	
8	WS air gap to WS unit and boiler hose - 400mm	30011733	1	
9	WS to anti syphon - 400mm WS	30011727	1	
10	WS Port 2 to WS AB Port 2 hose - 400mm WS	30011745	1	
11	WS Port 3 to WS AB Port 3 hose - 400mm WS	30011746	1	
12	WS boiler breather hose	30011744	1	
13	Solenoid valve - RAST 5 - 4L/min	3106210	1	
14	M4 x 10mm Posi pan head screw	30006293	2	
15	10mm diameter Hydravend hose	30011749	1	
16	Spring band - Ø19mm	30006040	1	
17	Spring band - Ø18mm	30002577	4	
18	Jubilee Clip - 12mm to 22mm	30001088	4	
19	Jubilee Clip - 20mm to 32mm	30001112	1	
20	Jubilee Clip -25mm to 40mm	30001089	1	
21	Jubilee clip - 160mm - 180mm	30001113	1	

9. Rinse tank assembly 2.6kW (30012420)

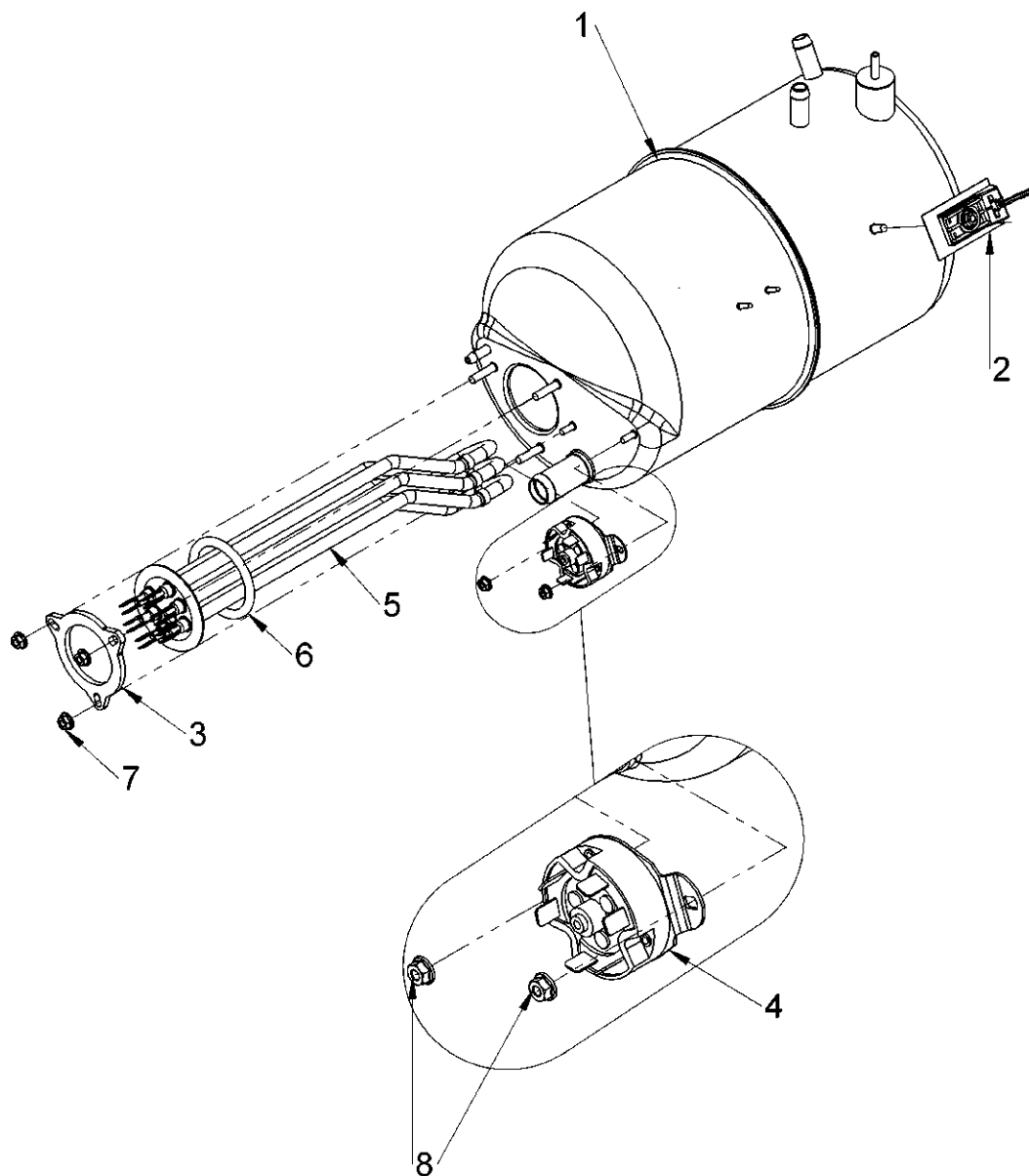


30012420-A

9. Rinse tank assembly 2.6kW – BOM

Item	Description	Part number	QTY.	Note
1	6.5 litre - Rinse boiler assembly WS	30011841	1	
2	Thermal sensor kit	30002179	1	
3	Bracket - rinse element	0117003	1	
4	Manual reset thermal trip switch - 3 pole - 95°C	30006090	1	
5	O-Ring - Ø46 x Ø6	30000947	1	
6	M5 Flange nut (DIN 6923)	30001186	3	
7	M4 Flange nut (DIN 6923)	30006237	2	
8	2.6kW rinse element	30011828	1	

10. Rinse tank assembly 6kW (30011803)

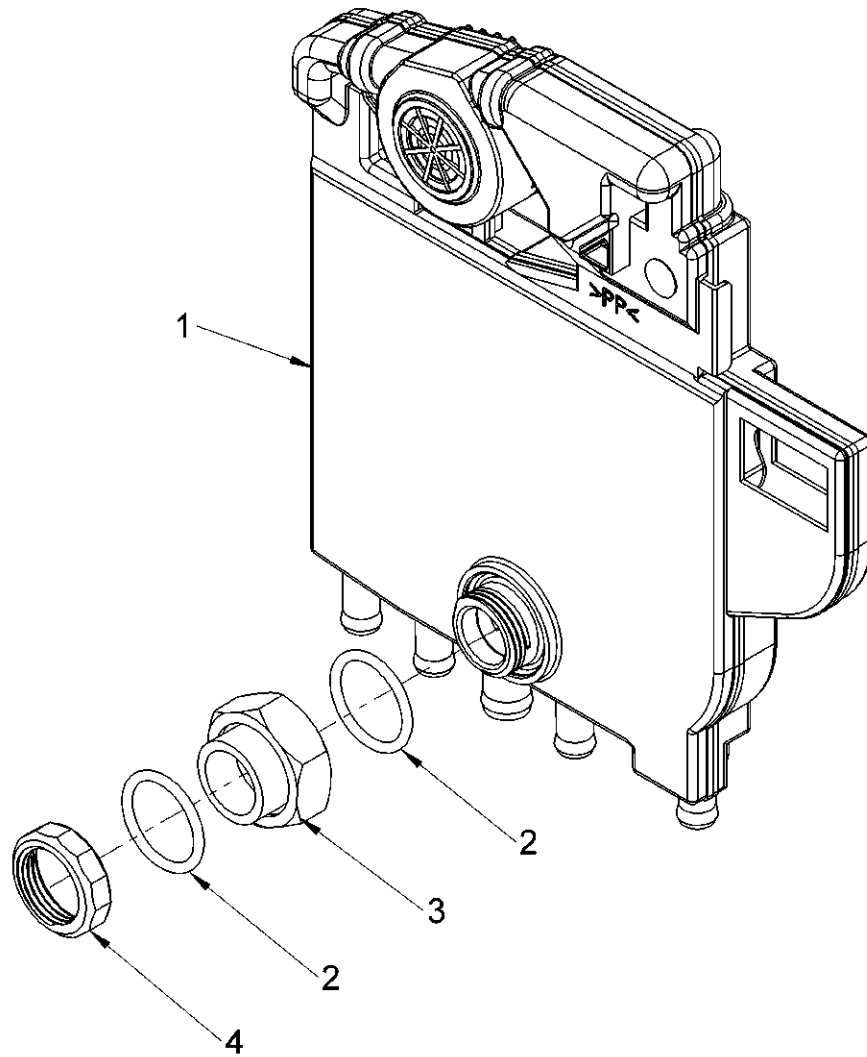


30011803-A

10. Rinse tank assembly 6kW – BOM

Item	Description	Part number	QTY.	Note
1	6.5 litre - Rinse boiler assembly WS	30011841	1	
2	Thermal sensor kit	30002179	1	
3	Bracket - rinse element	0117003	1	
4	Manual reset thermal trip switch - 3 pole - 95°C	30006090	1	
5	6kW element - no phile	30011827	1	
6	O-Ring - Ø46 x Ø6	30000947	1	
7	M5 Flange nut (DIN 6923)	30001186	3	
8	M4 Flange nut (DIN 6923)	30006237	2	

11. Air break assembly (30012387)

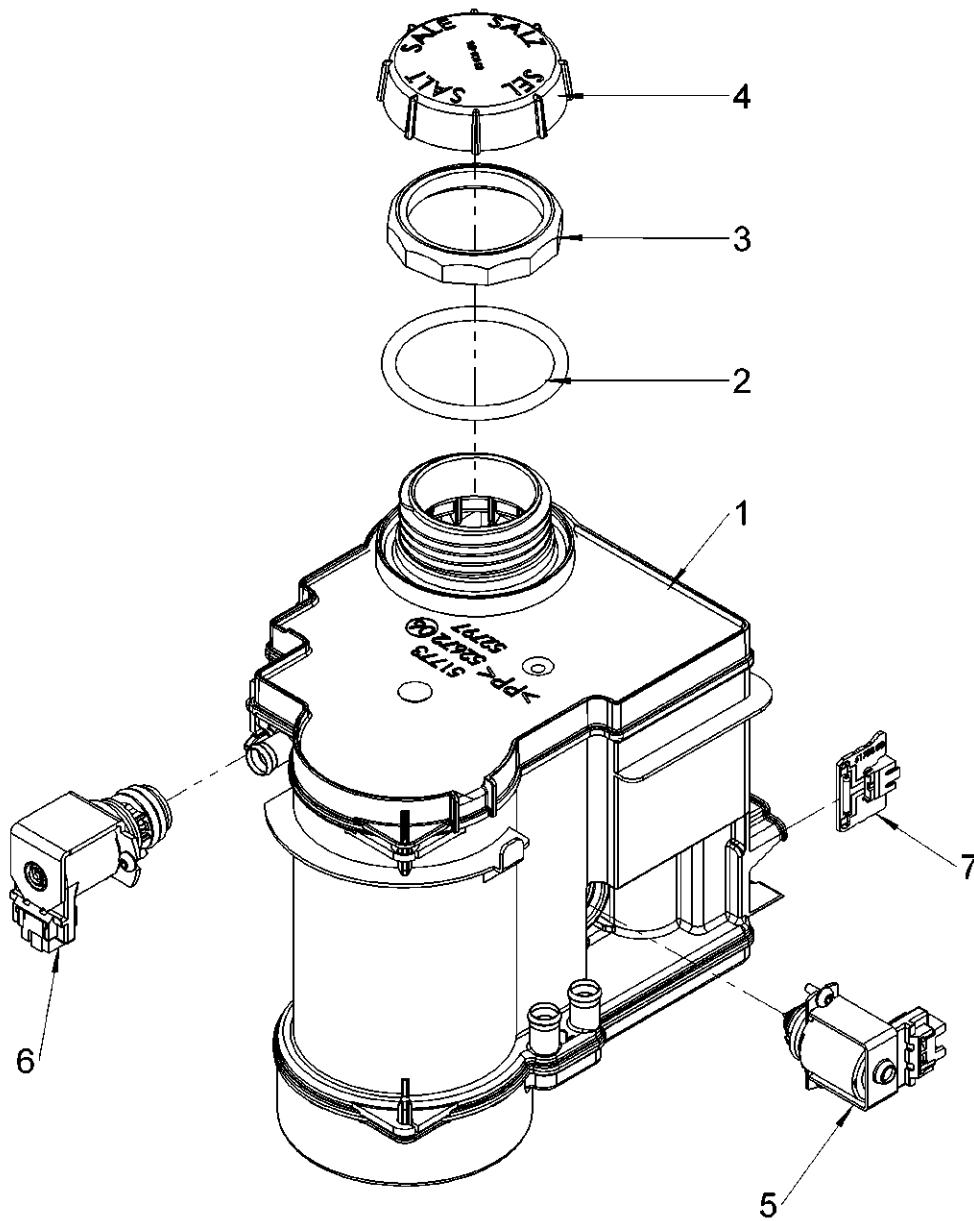


30012387-A

11. Air break assembly – BOM

Item	Description	Part number	QTY.	Note
1	AIR GAP	83000414	1	
2	O-ring - 25.7 X 3	2707097	2	
3	SPACER NUT	61006675	1	
4	Nut (Mutter)	60004612	1	

12. Water softener unit (83000420)

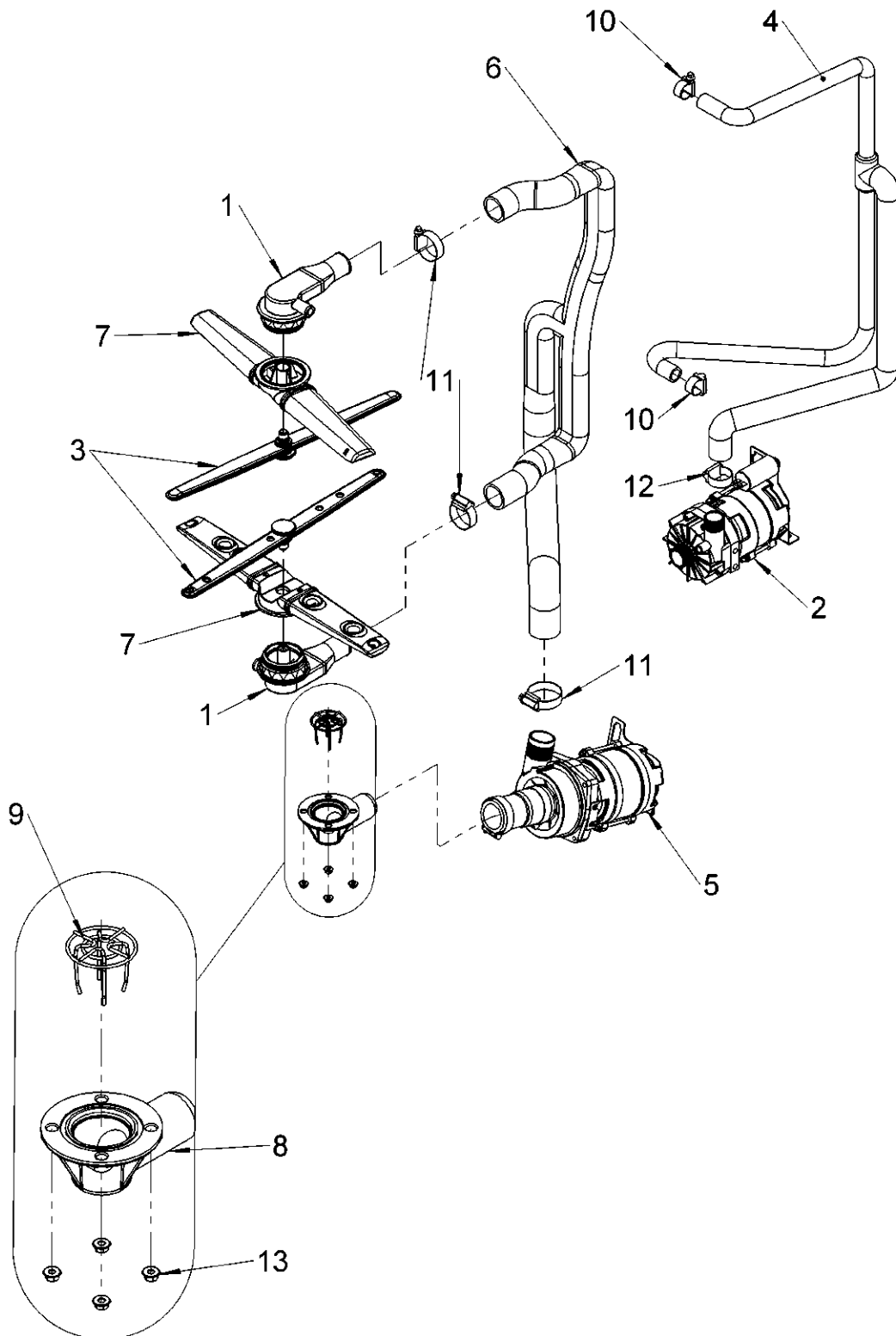


83000420-A

12. Water softener unit – BOM

Item	Description	Part number	QTY.	Note
1	Water softener 220-240V		1	
2	O-ring - Ø56 x Ø5	2707065	1	
3	LOCK NUT	60003001	1	
4	Salt reservoir cap	60004894	1	
5	Repair kit Regeneration valve	83000402	1	
6	Repair kit shifting valve	83000460	1	
7	Salt recognition reed contact	83000408	1	

13. Rinse and wash system

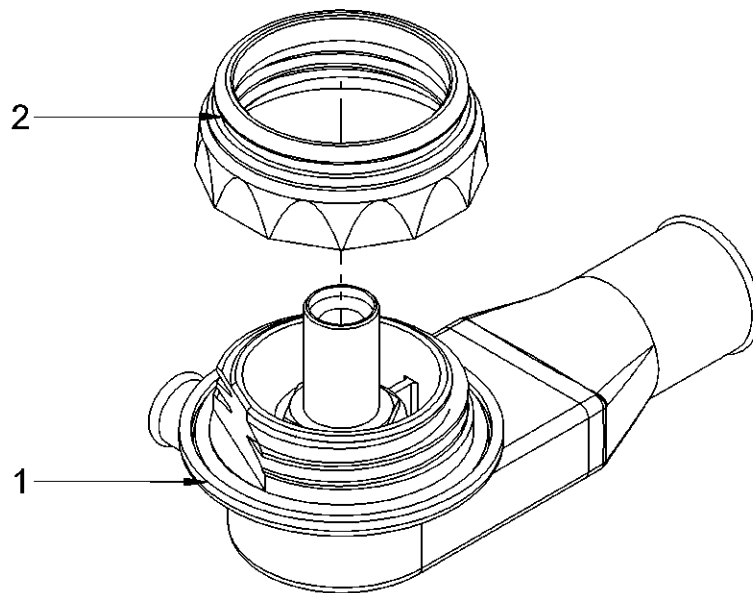


30003311-A

13. Rinse and wash system – BOM

Item	Description	Part number	QTY.	Note
1	Centre boss assembly	30003284	2	
2	0.1kW Rinse pump assembly	30011814	1	
3	Rinse arm assembly	60005249	2	
4	Rinse system hose - 400mm	30001086	1	
5	0.25kW Wash pump assembly	30011812	1	
6	Wash pump outlet hose 400mm	30011601	1	
7	Wash arm 400mm Kit	62003531	2	
8	Wash & Waste outlet manifold kit	30000625	1	
9	Secondary filter	30011849	1	
10	Jubilee Clip - 16mm to 27mm	30001799	2	
11	Jubilee clip - 32mm to 50mm	30001114	3	
12	Jubilee Clip - 20mm to 32mm	30001112	1	
13	M5 Flange nut (DIN 6923)	30001186	4	

14. Centre boss assembly

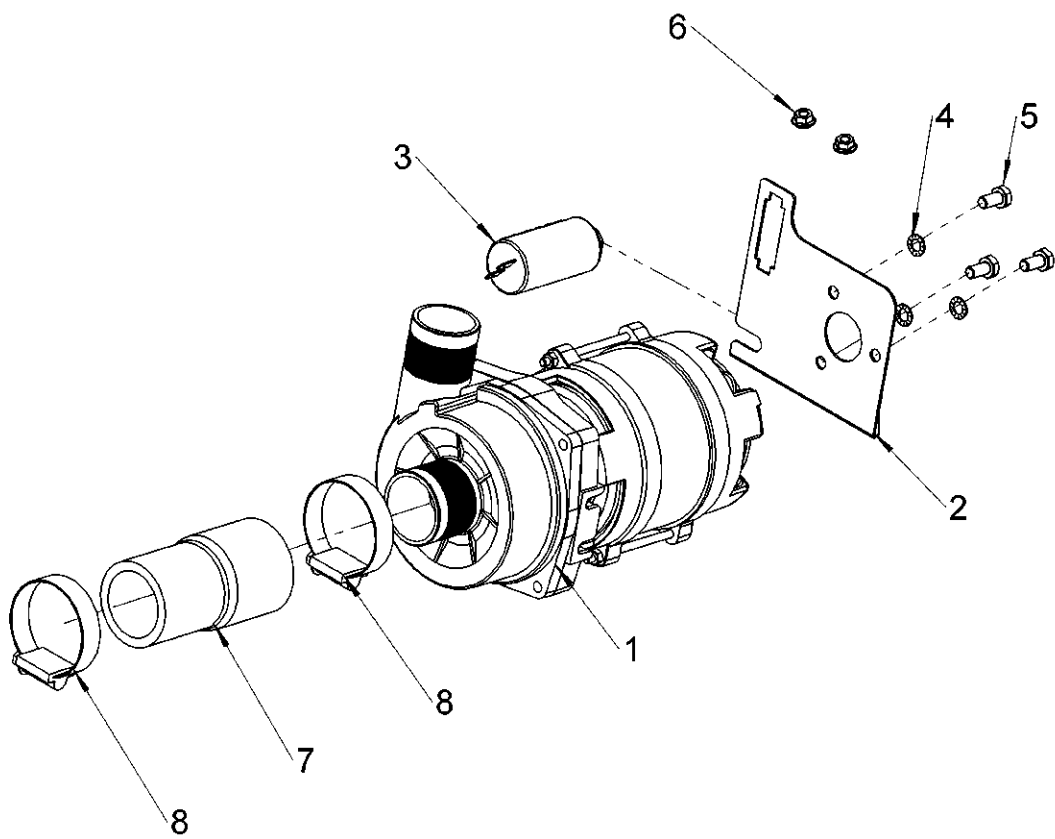


30003284-A

14. Centre boss assembly – BOM

Item	Description	Part number	QTY.	Note
1	Centre boss assembly	30012323	1	
2	Lock nut	60003005	1	

15. Wash pump assembly (30011812)

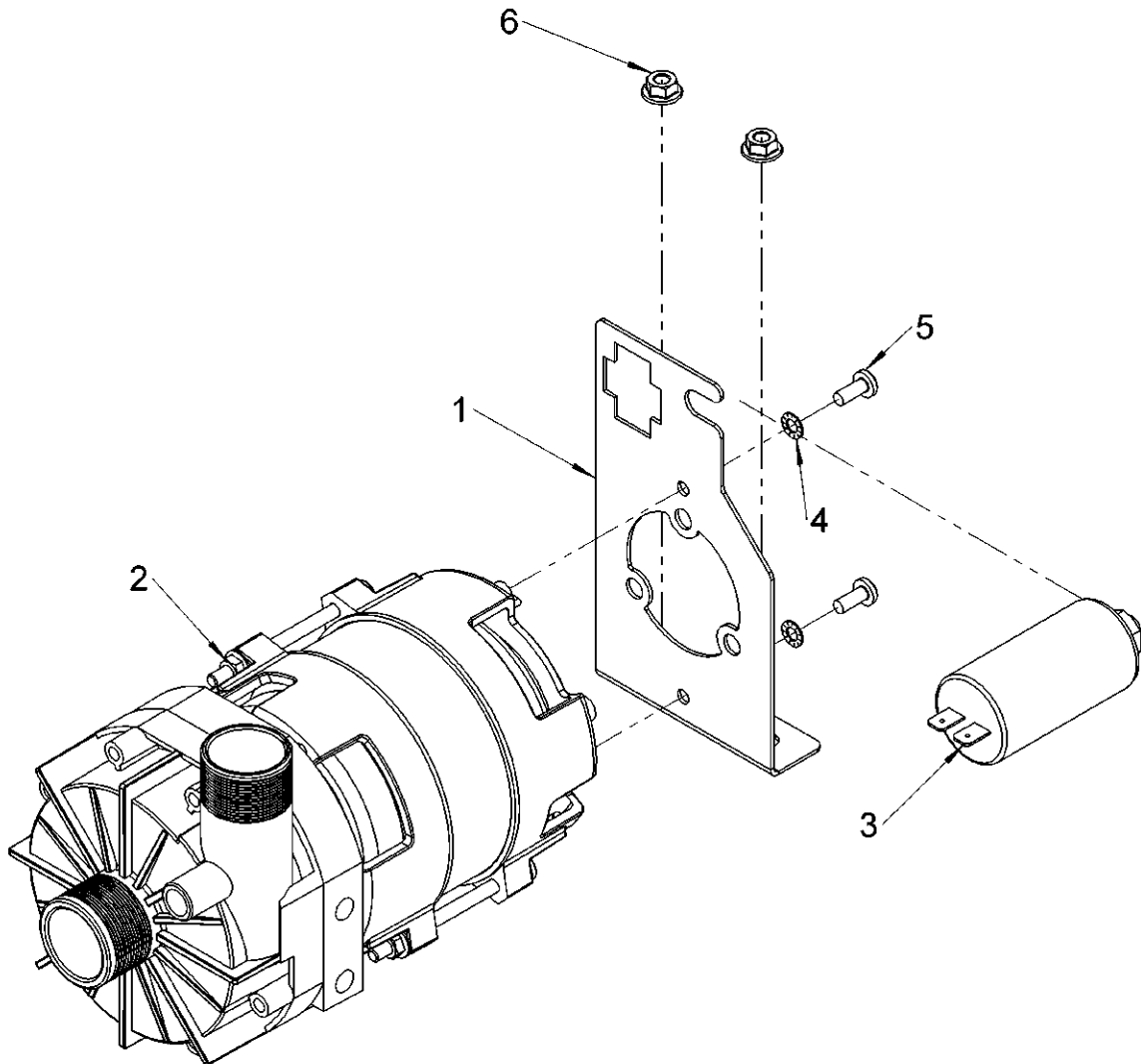


30011812-A

15. Wash pump assembly – BOM

Item	Description	Part number	QTY.	Note
1	0.25kW Wash pump	30011818	1	
2	400mm wash pump bracket	30011676	1	
3	5 μ F Capacitor	30011583	1	Includes washer & nut
4	M6 Serrated washer	30007939	3	
5	M6 x 12 hex head screw (ISO 4017)	30008585	3	
6	M5 Flange nut (DIN 6923)	30001186	2	
7	Wash pump inlet hose	30001125	1	
8	Jubilee clip - 32mm to 50mm	30001114	2	

16. Rinse pump assembly (30011814)

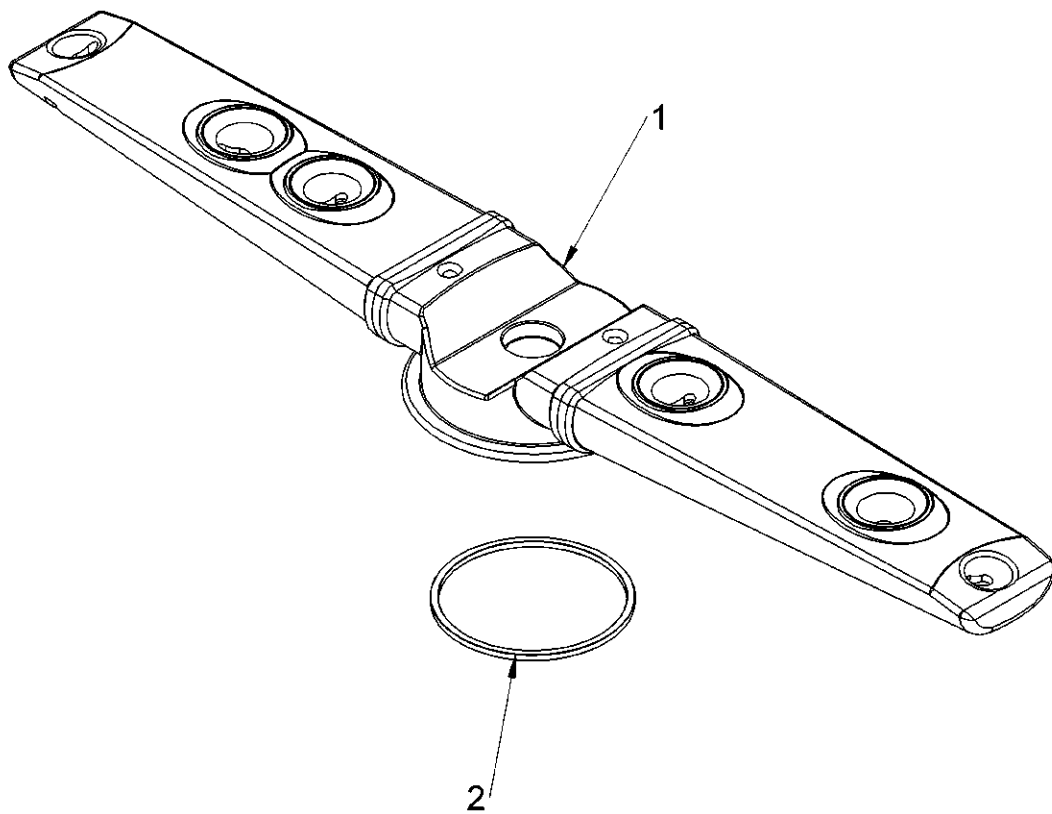


30011814-A

16. Rinse pump assembly – BOM

Item	Description	Part number	QTY.	Note
1	Rinse pump bracket	30011678	1	
2	0.1kW Rinse pump	30011820	1	
3	4 μ F Capacitor	30011584	1	Includes washer & nut
4	M4 Serrated washer	30001128	2	
5	M4 x 10mm Posi pan head screw	30006293	2	
6	M5 Flange nut (DIN 6923)	30001186	2	

17. Wash arm 400mm Kit (62003531)



62003531-A

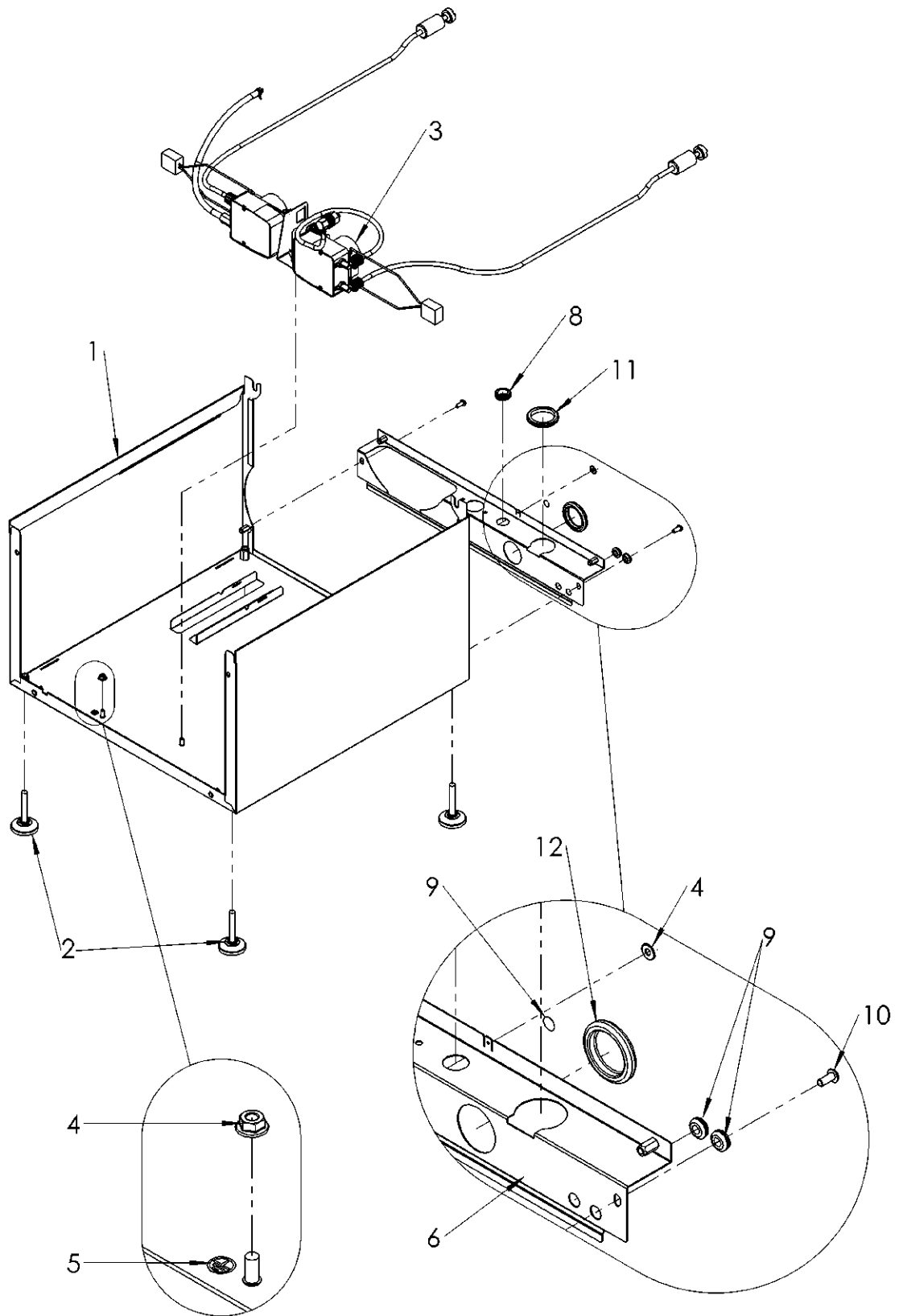
17. Wash arm 400mm Kit – BOM

Item	Description	Part number	QTY.	Note
1	400mm wash arm		1	Not available as a spare
2	Seal (turbo ring)	60003021	1	Only on Dishwasher

18. Drain pump assembly – BOM

Item	Description	Part number	QTY.	Note
1	Drain pump bracket new	30011624	1	
2	Drain pump - Head 90° to flow	30011696	1	
3	Drain pump inlet hose	30011743	1	
4	Wash & Waste outlet manifold kit	30000625	1	
5	Jubilee clip - 30mm to 45mm	30001115	2	
6	Jubilee Clip - 16mm to 27mm	30001799	1	
7	Jubilee Clip - 16mm to 27mm	30001799	2	
8	M5 Flange nut (DIN 6923)	30001186	5	
9	Secondary filter	30011849	1	
10	400 WS Drain pump outlet hose	30011729	1	
11	Drain Air break kit	60003514	1	
12	Drain pump elbow outlet hose	30011732	1	
13	Non return valve (NRV)	30011892	1	
14	4x160mm cable tie	30006229	2	
15	Drain hose	30000986	1	
16	Drain height sticker	30012368	1	

19. Base assembly

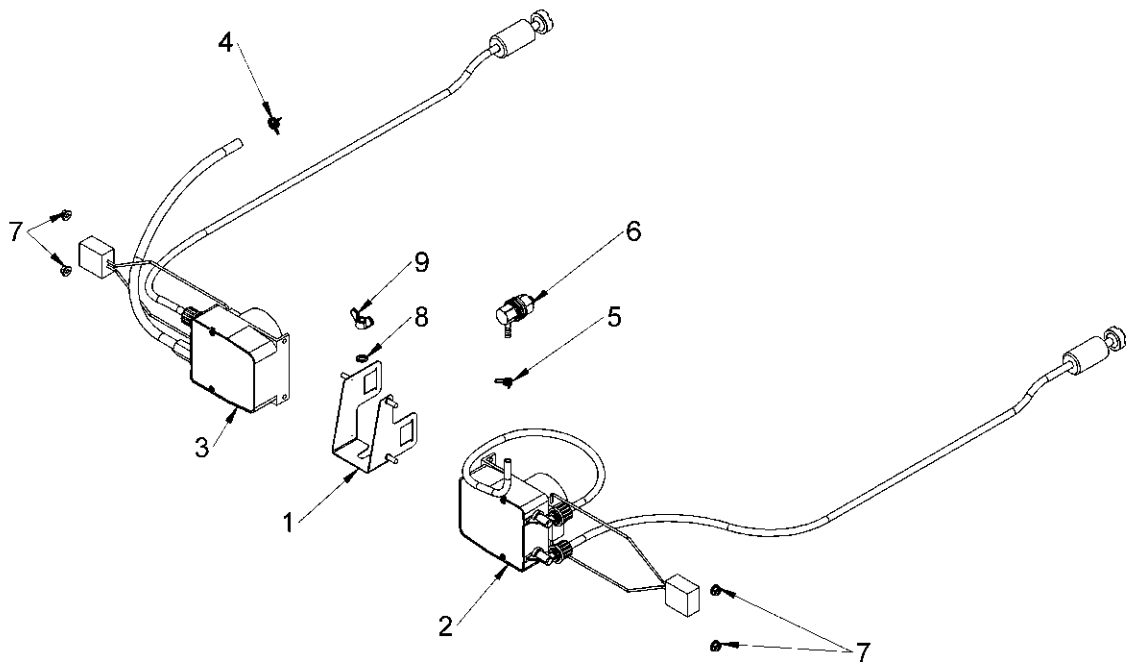


30003315-A

19. Base assembly – BOM

Item	Description	Part number	QTY.	Note
1	400mm Base assembly		1	Not available as a spare
2	Adjuster Foot	30001107	4	
3	Chemical pump assembly		1	
4	M5 Flange nut (DIN 6923)	30001186	3	
5	Earth sticker	30008786	3	
6	400mm rear base assembly	30011658	1	
7	Chemical tube grommet	30002141	2	
8	Mains cable grommet	30011630	1	
9	Equipotential bonding sticker	30011891	1	
10	M5 x 12 Hex socket button head screw	30006300	2	
11	Drain hose grommet	30011631	1	
12	Drain blanking grommet	30012167	1	

20. Chemical pump assembly

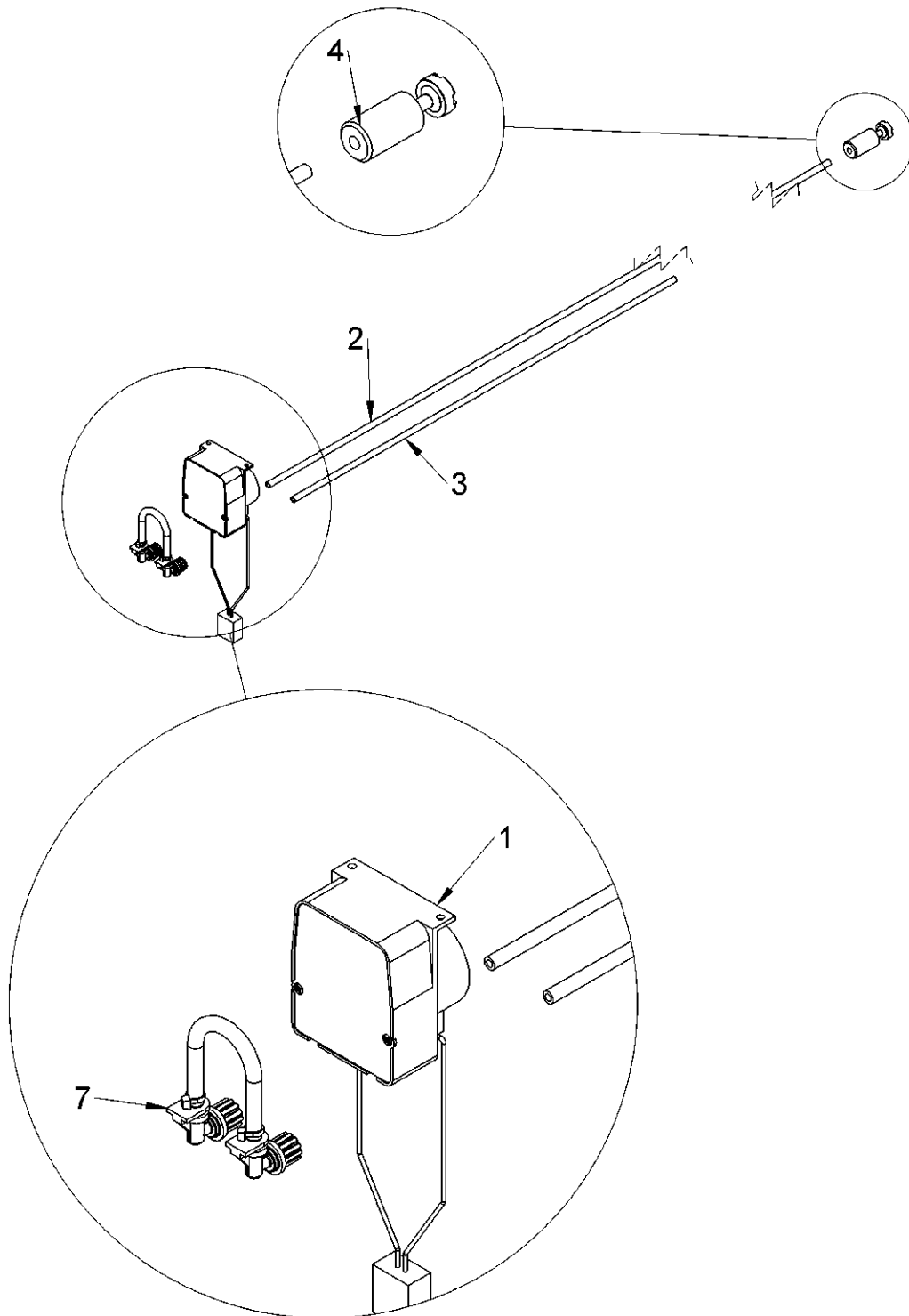


30012343-A

20. Chemical pump assembly – BOM

Item	Description	Part number	QTY.	Note
1	Chemical pump bracket assembly	30011626	1	
2	Detergent Pump Assembly	30011805	1	
3	Rinse aid pump assembly	30011806	1	
4	Spring clip - Ø8.8mm to Ø9.3mm	30011994	1	
5	Spring clip - Ø6.6mm to Ø7mm	30011995	1	
6	Detergent inlet fitting	30011822	1	
7	M4 Flange nut (DIN 6923)	30006237	4	
8	M5 Serrated washer	30001126	1	
9	M5 Wing Nut	30001132	1	

21. Detergent pump assembly (30011805)

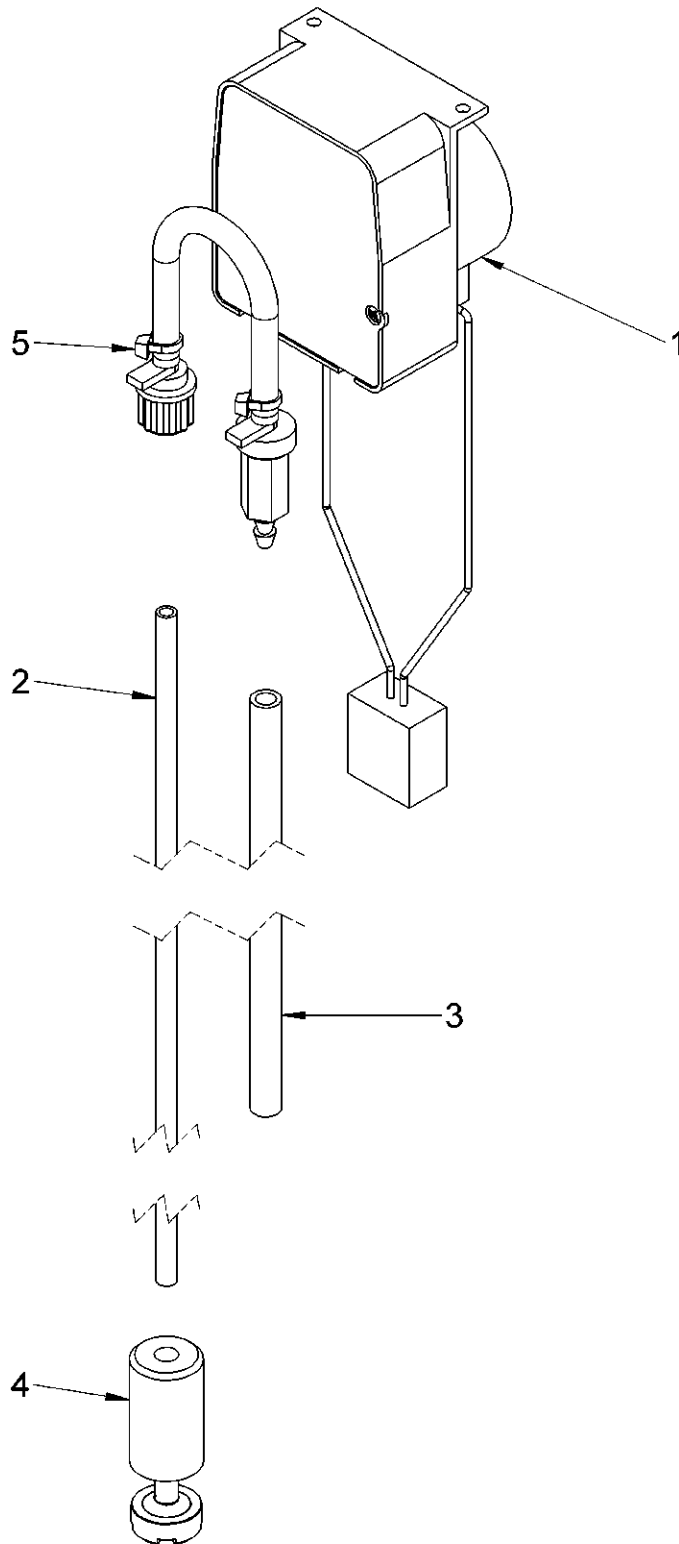


30011805-A

21. Detergent pump assembly – BOM

Item	Description	Part number	QTY.	Note
1	Detergent pump housing		1	Not available as a spare
2	Detergent inlet tube	30012405	1	Clear Tube
3	Detergent outlet tube	30012406	1	
4	Bottle weight kit	30012370	1	
5	Detergent peristaltic tube assembly	30012407	1	

22. Rinse aid pump assembly (30011806)

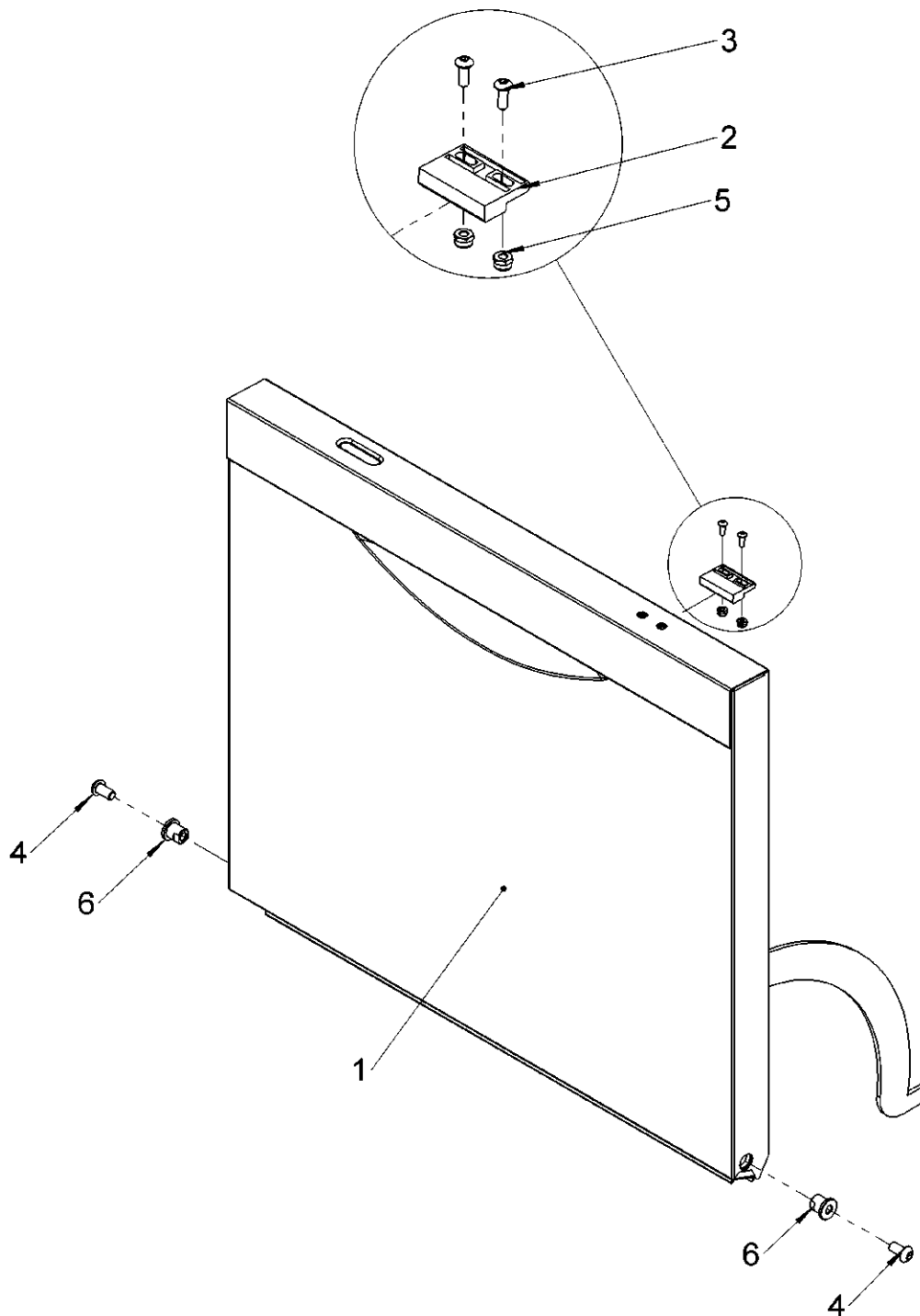


30011806-A

22. Rinse aid pump assembly – BOM

Item	Description	Part number	QTY.	Note
1	Rinse aid pump housing		1	Not available as a spare
2	Rinse aid inlet tube	30012413	1	Blue Tube
3	Rinse aid outlet tube	30012414	1	
4	Bottle weight kit	30012370	1	
5	Rinse aid peristaltic tube assembly	30012415	1	

23. Door assembly

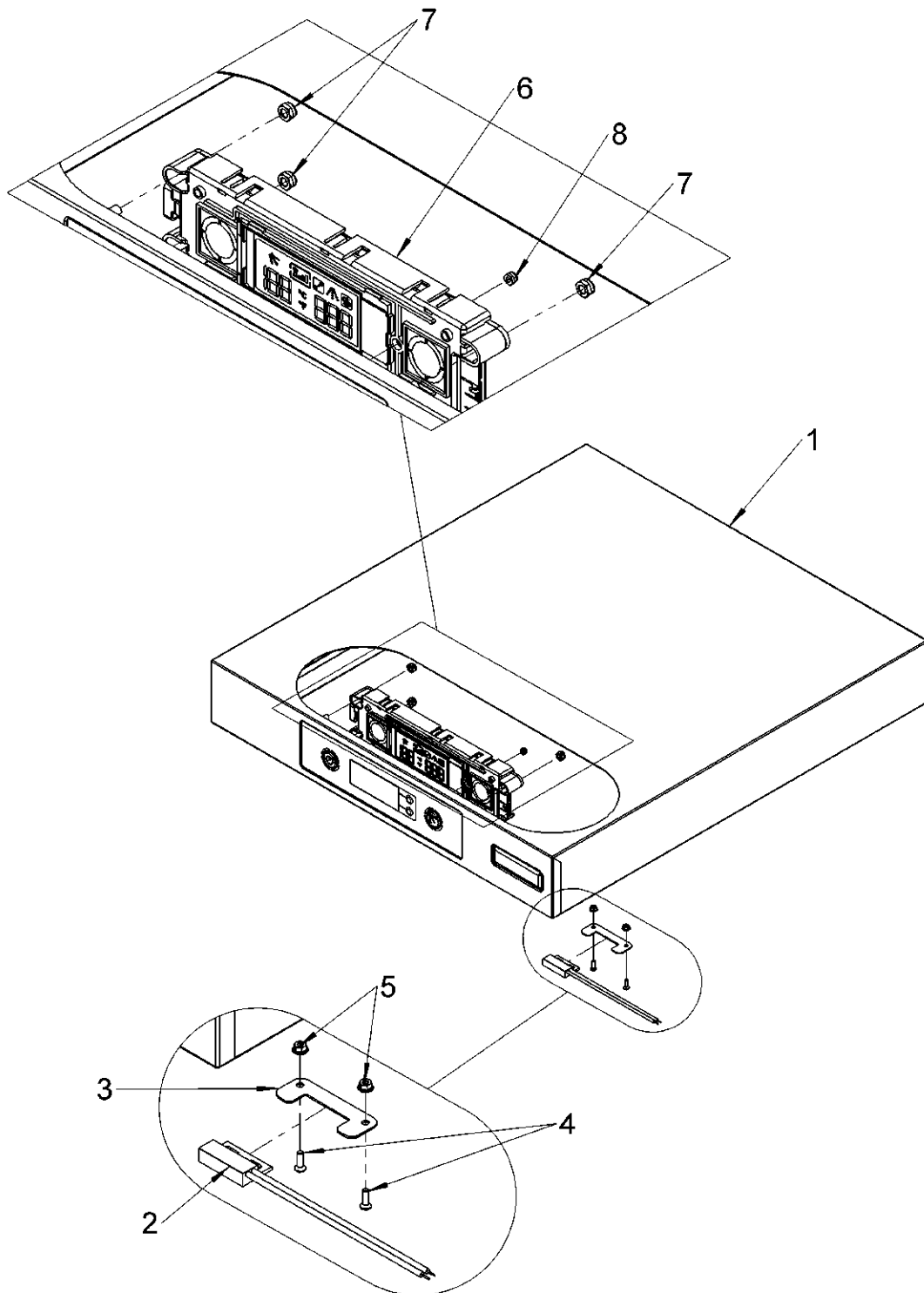


30003317-A

23. Door assembly – BOM

Item	Description	Part number	QTY.	Note
1	Door assembly - 400mm	30011671	1	
2	Door magnet	30000981	1	
3	M3 x 8 Hex socket button head screw	30001059	2	
4	M6 x 12 Hex socket button head screw	30001063	2	
5	M3 Thin Nylock nut (ISO 10511)	30001051	2	
6	Door pivot pin	30001050	2	

24. Top panel assembly LCD



30003316-A

24. Top panel assembly LCD – BOM

Item	Description	Part number	QTY.	Note
1	400mm DS top panel LCD assembly	30006480	1	
2	Crimped proximity switch assembly	30000980	1	
3	Door switch bracket	30011690	1	
4	M3 x 10 CSK hex socket head screw	30011975	2	
5	M3 Flange nut (DIN 6923)	30001171	2	
6	Premium UI assembly	30011403	1	
7	M5 Thin Nylock nut (ISO 10511)	30006274	3	
8	M3 Thin Nylock nut (ISO 10511)	30001051	1	

25. Accessories

Item	Description	Part number	QTY.	Note
1	400mm Plastic basket - cup/glass	30001165	2	
2	Water supply hose	30001162	1	

26. WS accessories kit

Item	Description	Part number	QTY.	Note
1	Salt bag 2kg	20003002	1	
2	Salt funnel	3502013	1	

27. Mains cables

Item	Description	Part number	QTY.	Note
1	13A mains cable kit	30003306	1	
2	3 phase mains cable kit	30003308	1	
3	30A mains cable kit	30012385	1	
4	20A mains cable kit	30003307	1	

Document number: 30012458
Revision: A
Date: 03/01/2017
Language: English